

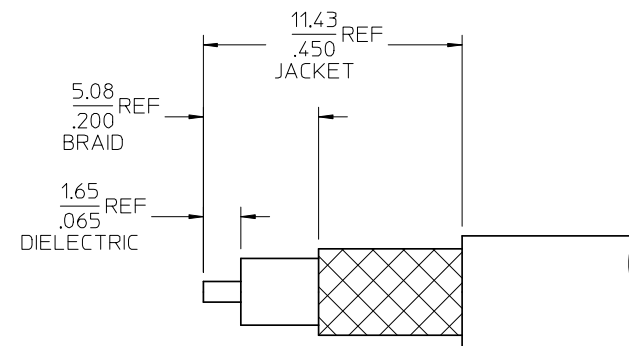
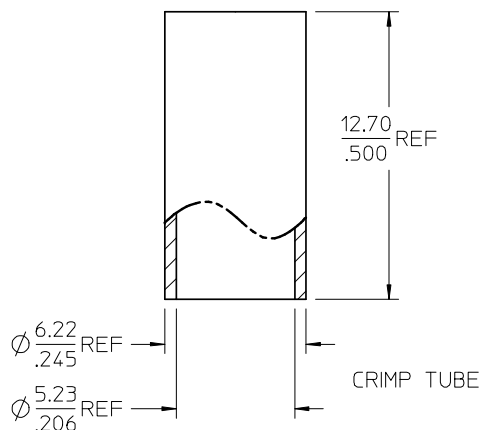
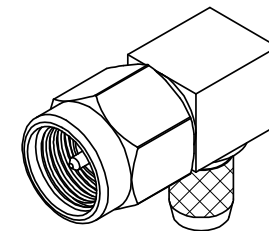
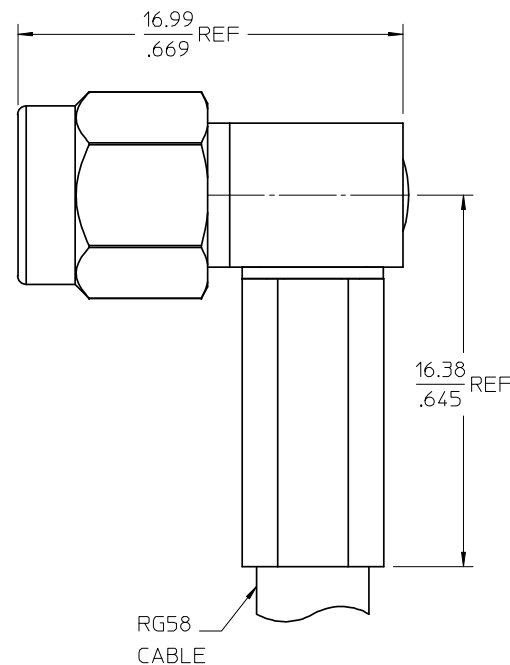
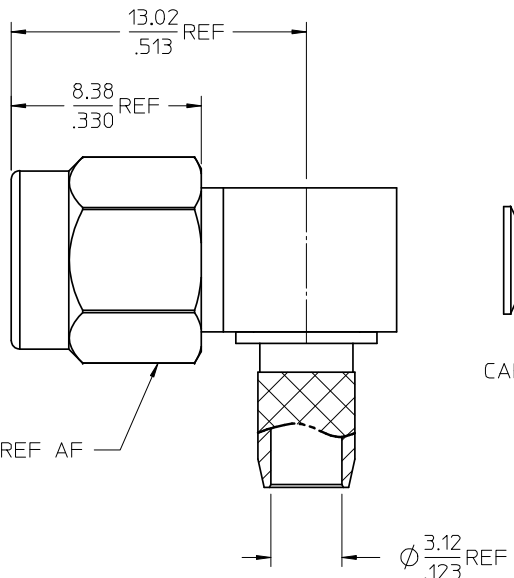
MATERIALS AND FINISHES

BODY, CRIMP TUBE, CAP BRASS
PLATED GOLD

CENTER CONTACT PHOSPHOR BRONZE
PLATED GOLD

INSULATOR TEFLON

COUPLING NUT ST. STEEL
PLATED GOLD



PART # 73251-2340

RECOMMENDED STRIPPING DIMENSION
CRIMP HEX SIZE 4.52(.178)

MIL-STD-348A, FIG. 310-1	INTERFACE
SPECIFICATION	DESCRIPTION

A	CHG: NEW RELEASE	EC NO: URF-2008-0370 DRW:SSHAH 2008/01/18 CHKD:ROBERTSON 2008/01/18 APPR:JWENER 2008/01/18	QUALITY SYMBOLS ▽=0 ▽=0	GENERAL TOLERANCES (UNLESS SPECIFIED) 4 PLACES ± --- ± --- 3 PLACES ± --- ± --- 2 PLACES ± --- ± --- 1 PLACE ± --- ± --- ANGULAR ± 2°	DIMENSION STYLE MM/IN DRAWN BY DATE SSS 2007/01/18 CHECKED BY DATE AZR 2007/01/18 APPROVED BY DATE JDW 2007/01/18	SCALE DESIGN UNITS METRIC THIRD ANGLE PROJECTION	TITLE SMA PLUG, R/A, RG58 50 OHMS SMA-PC/RA	MATERIAL NO. 732512340	DOCUMENT NO. SD-73251-234	SHEET NO. 1 OF 1
	DRAFT WHERE APPLICABLE MUST REMAIN WITHIN DIMENSIONS									