

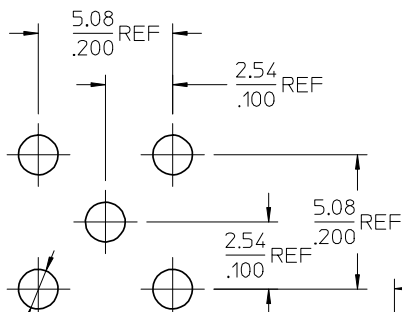
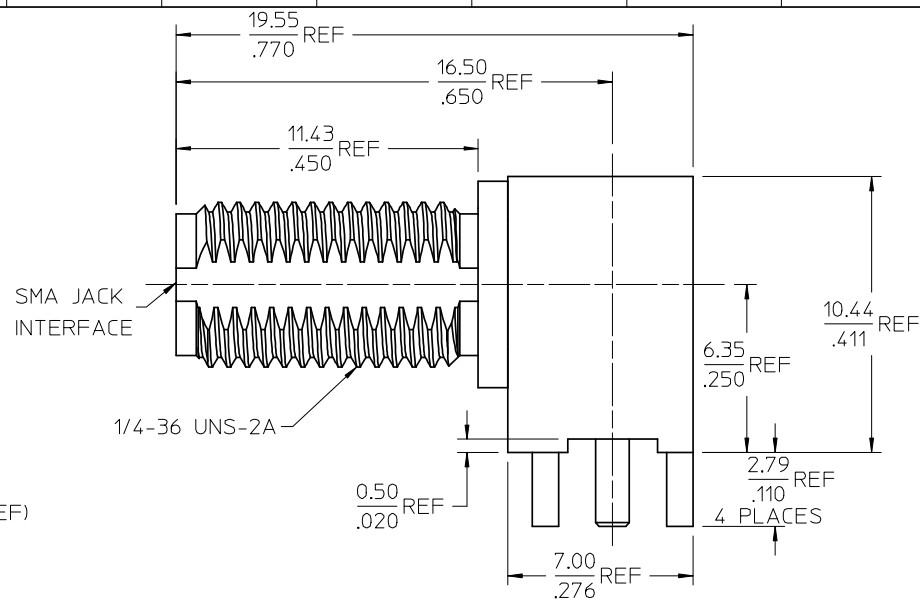
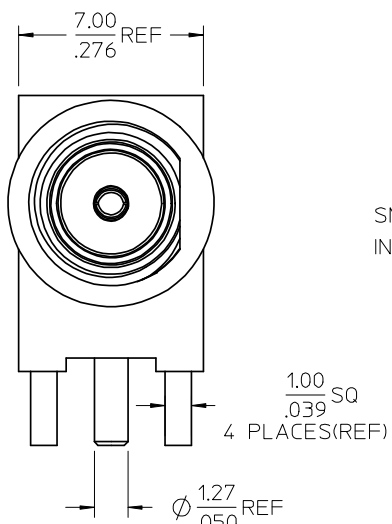
MATERIALS AND FINISHES

BODY, JAM NUT BRASS
PLATED SEE TABLE

CENTER CONTACT BERYLLIUM COPPER
PLATED GOLD

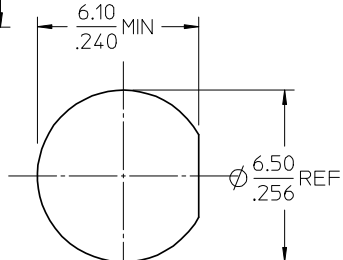
INSULATOR TEFLON

LOCKWASHER PHOSPHOR BRONZE
PLATING SEE TABLE

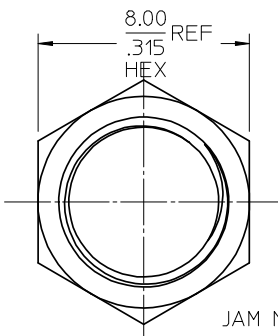


RECOMMENDED PCB HOLE CONFIGURATION

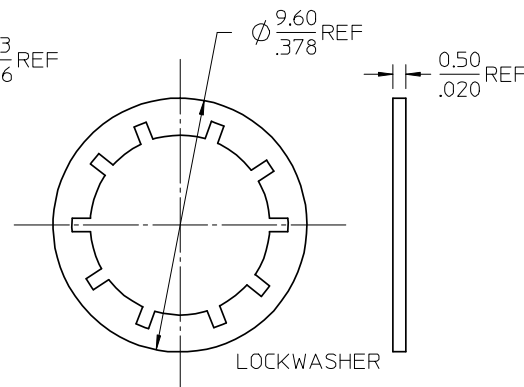
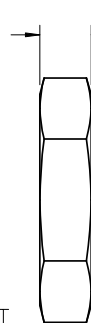
Ø 1.50 REF (.059) 5 PLACES



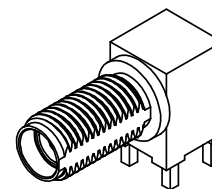
RECOMMENDED PCB HOLE CONFIGURATION



JAM NUT



LOCKWASHER



PS-73598-0460	ELECTRO/MECH PERFORM.
SPECIFICATION	DESCRIPTION

73251-2203	GOLD FLASH AND BY TRAY (54 CAV.)
73251-2202	73251-2201 BY TRAY (20 CAV.)
73251-2201	GOLD
73251-2200	NICKEL
PART NO.	PALTING (BODY, NUT, LOCKWASHER)

ADDED P/N -2203 EC NO: URF2008-0475 DRW:INELIN 2008/03/27 CHKD: 2008/03/27 APPR:MHUANG 2008/03/27 REV: D3	QUALITY SYMBOLS ▽=0 ▽=0	GENERAL TOLERANCES (UNLESS SPECIFIED) mm INCH 4 PLACES ± --- ± --- 3 PLACES ± --- ± --- 2 PLACES ± --- ± --- 1 PLACE ± --- ± --- ANGULAR ± 2 °	DIMENSION STYLE MM/IN DRAWN BY DATE CLAIRE LEE 2003/08/29 CHECKED BY DATE APPROVED BY DATE	SCALE DESIGN UNITS METRIC THIRD ANGLE PROJECTION
	DRAFT WHERE APPLICABLE MUST REMAIN WITHIN DIMENSIONS	MATERIAL NO. SEE TABLE SIZE C	TITLE SMA JACK, R/A PCB SMA-J/RA/PCB	MOLEX INCORPORATED DOCUMENT NO. SD-73251-220 SHEET NO. 1 OF 1