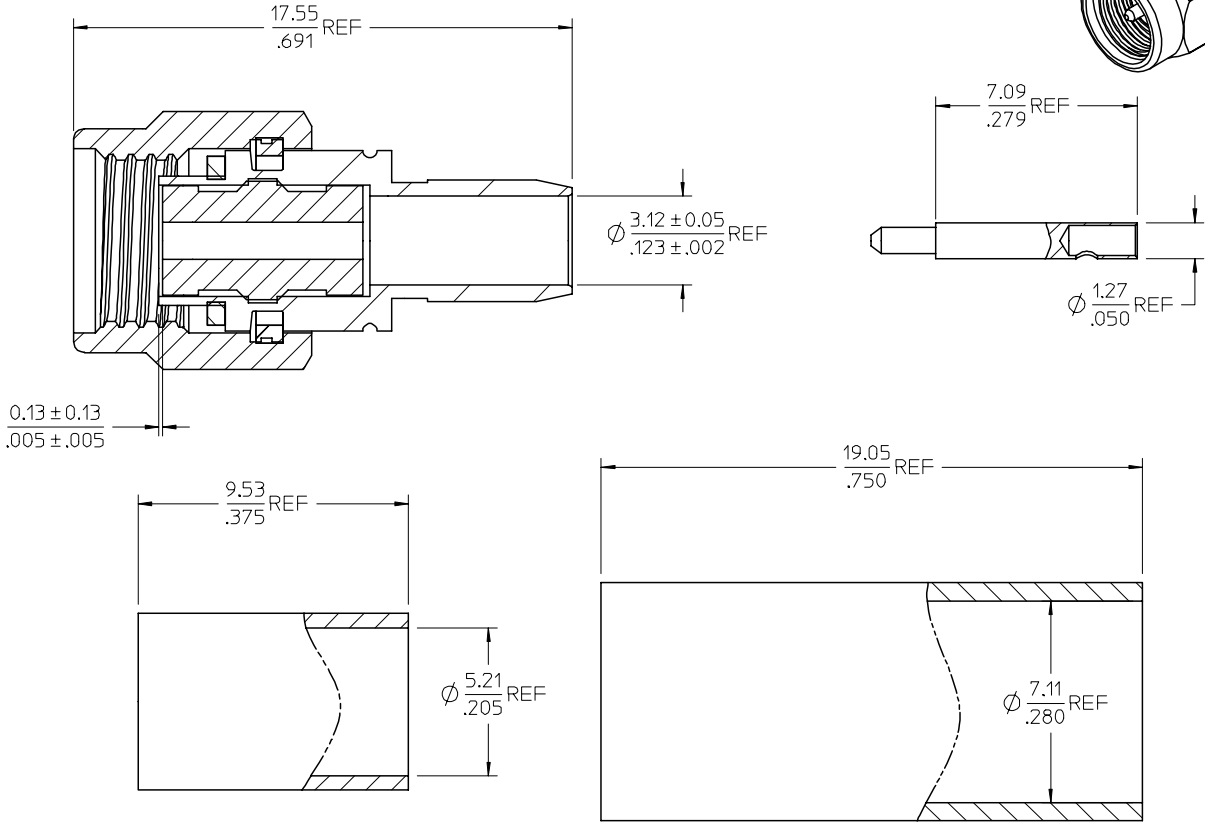


13 12 11 10 9 8 7 6 5 4 3 2 1

MATERIALS AND FINISHES

- J BODY, COUPLING NUT SEE TABLE
PLATED SEE TABLE
- I CONTACT BERYLLIUM COPPER
PLATED GOLD
- H INSULATOR TEFLON
- G GASKET SILICONE RUBBER
- F C RING BERYLLIUM COPPER
- E CRIMP TUBE BRASS
PLATED NICKEL
- D SHRINK TUBE
VERSAFIT 1/4



AS-89675-1570	CABLE ASSY INSTRUCTIONS
PS-89675-1160	ELECTRO/MECH PERFORMANCE
MIL-STD-348A, FIG. 310.1	INTERFACE
SPECIFICATION	DESCRIPTION

73251-0133	73251-0131 BY TRAY (20 CAV.)
73251-0132	BRASS/NICKEL
73251-0131	STAINLESS STEEL/PASSIVATE
PART NO.	DESCRIPTION

ADDED P/N: 73251-0133
 EC NO: URF2007-0497
 DRAWN BY: DRW:WJL:LN 2007/06/15
 CHKD: 2007/06/21
 APPR: MHI:ANG 2007/06/21
 REV: DESCRIPTION

QUALITY SYMBOLS:
 ▽=0
 ▽=0

A2

GENERAL TOLERANCES (UNLESS SPECIFIED) 4 PLACES ± --- ± --- 3 PLACES ± --- ± --- 2 PLACES ± --- ± --- 1 PLACE ± --- ± --- ANGULAR ± 2 °	DIMENSION STYLE MM/IN DRAWN BY: SSS DATE: 2000/01/04 CHECKED BY: SSS DATE: 2000/01/04 APPROVED BY: GMH DATE: 2000/01/04	SCALE DESIGN UNITS METRIC THIRD ANGLE PROJECTION	SMA PLUG, STR 50 OHMS, RG 58 SMA-PC
DRAFT WHERE APPLICABLE MUST REMAIN WITHIN DIMENSIONS	MATERIAL NO. SEE TABLE	DOCUMENT NO. SD-73251-013	SHEET NO. 1 OF 1

MOLEX INCORPORATED
 THIS DRAWING CONTAINS INFORMATION THAT IS PROPRIETARY TO MOLEX INCORPORATED AND SHOULD NOT BE USED WITHOUT WRITTEN PERMISSION

12 11 10 9 8 7 6 5 4 3 2 1