



Winstar Display Co., LTD

華凌光電股份有限公司



住址: 407 台中市中清路 163 號
No.163 Chung Ching RD.,
Taichune, Taiwan, R.O.C

WEB: <http://www.winstar.com.tw>
E-mail: winstar@winstar.com.tw
Tel:886-4-24262208 Fax : 886-4-24262207

SPECIFICATION

CUSTOMER : _____

MODULE NO.: WH1602C-YGH-CTK

| | |
|---|--|
| <p style="text-align: center;">APPROVED BY:</p> <p style="text-align: center;">(FOR CUSTOMER USE ONLY)</p> | |
|---|--|

| SALES BY | APPROVED BY | CHECKED BY | PREPARED BY |
|---------------------|-------------|------------|-------------|
| | | | |
| ISSUED DATE: | | | |

MODLE NO :

RECORDS OF REVISION

DOC. FIRST ISSUE

| VERSION | DATE | REVISED PAGE NO. | SUMMARY |
|---------|------------|---------------------|----------------|
| 0 | 2005.11.10 | | First issue |

Contents

- 1.Module Classification Information
- 2.Precautions in use of LCD Modules
- 3.General Specification
- 4.Absolute Maximum Ratings
- 5.Electrical Characteristics
- 6.Optical Characteristics
- 7.Interface Pin Function
- 8.Contour Drawing & Block Diagram
- 9.Function Description
- 10.Character Generator ROM Pattern
- 11.Instruction Table
- 12.Timing Characteristics
- 13.Initializing of LCM
- 14.Reliability
- 15.Backlight Information
- 16.Inspection specification

1. Module Classification Information

W H 1 6 0 2 C - Y G H - CTK
 ① ② ③ ④ ⑤ ⑥ ⑦ ⑧

- ① Brand : WINSTAR DISPLAY CORPORATION
- ② Display Type : H→Character Type, G→Graphic Type
- ③ Display Font : Character 16 words, 2Lines.
- ④ Model serials no.
- ⑤ Backlight Type : N→Without backlight
 B→EL, Blue green A→LED, Amber
 D→EL, Green R→LED, Red
 W→EL, White O→LED, Orange
 F→CCFL, White G→LED, Green
 Y→LED, Yellow Green
- ⑥ LCD Mode : B→TN Positive, Gray T→FSTN Negative
 N→TN Negative,
 G→STN Positive, Gray
 Y→STN Positive, Yellow Green
 M→STN Negative, Blue
 F→FSTN Positive
- ⑦ LCD Polarize A→Reflective, N.T, 6:00 H→Transflective, W.T,6:00
 Type/ Temperature D→Reflective, N.T, 12:00 K→Transflective, W.T,12:00
 range/ View G→Reflective, W. T, 6:00 C→Transmissive, N.T,6:00
 direction J→Reflective, W. T, 12:00 F→Transmissive, N.T,12:00
 B→Transflective, N.T,6:00 I→Transmissive, W. T, 6:00
 E→Transflective, N.T,12:00 L→Transmissive, W.T,12:00
- ⑧ Special Code CT : English and Cyrillic standard font ; K : B/L 20DICE;

2. Precautions in use of LCD Modules

- (1) Avoid applying excessive shocks to the module or making any alterations or modifications to it.
- (2) Don't make extra holes on the printed circuit board, modify its shape or change the components of LCD module.
- (3) Don't disassemble the LCM.
- (4) Don't operate it above the absolute maximum rating.
- (5) Don't drop, bend or twist LCM.
- (6) Soldering: only to the I/O terminals.
- (7) Storage: please storage in anti-static electricity container and clean environment.

3. General Specification

| Item | Dimension | Unit |
|----------------------|-----------------------------------|-------------|
| Number of Characters | 16 characters x 2 Lines | — |
| Module dimension | 85.0 x 36.0 x 13.2(MAX) | mm |
| View area | 66.0 x 16.0 | mm |
| Active area | 56.21 x 11.5 | mm |
| Dot size | 0.55 x 0.65 | mm |
| Dot pitch | 0.60 x 0.70 | mm |
| Character size | 2.95 x 5.55 | Nmm |
| Character pitch | 3.55 x 5.95 | mm |
| LCD type | STN Positive, Gray ,Transflective | |
| Duty | 1/16 | |
| View direction | 6 o'clock | |
| Backlight Type | LED , Yellow Green | |

4. Absolute Maximum Ratings

| Item | Symbol | Min | Typ | Max | Unit |
|--------------------------|-----------------|----------|-----|----------|------|
| Operating Temperature | T_{OP} | -20 | — | +70 | °C |
| Storage Temperature | T_{ST} | -30 | — | +80 | °C |
| Input Voltage | V_I | V_{SS} | — | V_{DD} | V |
| Supply Voltage For Logic | $V_{DD}-V_{SS}$ | -0.3 | — | 7 | V |
| Supply Voltage For LCD | $V_{DD}-V_0$ | -0.3 | — | 13 | V |

5. Electrical Characteristics

| Item | Symbol | Condition | Min | Typ | Max | Unit |
|--------------------------|-----------------|---------------------------|--------------|-----|----------|------|
| Supply Voltage For Logic | $V_{DD}-V_{SS}$ | — | 4.5 | 5.0 | 5.5 | V |
| Supply Voltage For LCD | $V_{DD}-V_0$ | $T_a=-20^{\circ}\text{C}$ | — | — | 5.2 | V |
| | | $T_a=+25^{\circ}\text{C}$ | — | 3.8 | — | V |
| | | $T_a=+70^{\circ}\text{C}$ | 3.2 | — | — | V |
| Input High Volt. | V_{IH} | — | $0.7 V_{DD}$ | — | V_{DD} | V |
| Input Low Volt. | V_{IL} | — | V_{SS} | — | 0.6 | V |
| Output High Volt. | V_{OH} | — | 3.9 | — | — | V |
| Output Low Volt. | V_{OL} | — | — | — | 0.4 | V |
| Supply Current | I_{DD} | $V_{DD}=5\text{V}$ | 1.0 | 1.2 | 1.5 | mA |

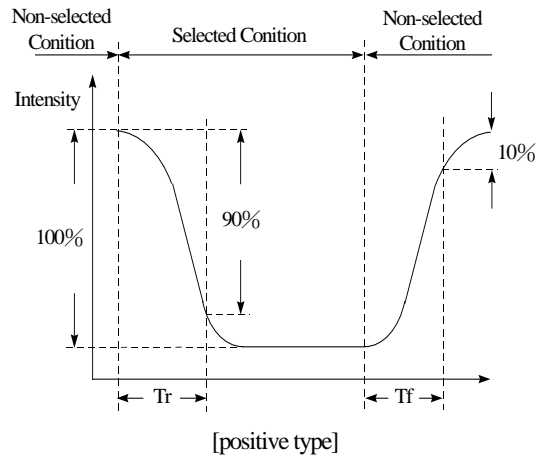
6. Optical Characteristics

| Item | Symbol | Condition | Min | Typ | Max | Unit |
|----------------|---------------|-------------|-----|-----|-----|------|
| View Angle | (V) θ | $CR \geq 2$ | 20 | — | 40 | deg |
| | (H) φ | $CR \geq 2$ | -30 | — | 30 | deg |
| Contrast Ratio | CR | — | — | 3 | — | — |
| Response Time | T rise | — | — | 150 | 200 | ms |
| | T fall | — | — | 150 | 200 | ms |

Definition of Operation Voltage (Vop)



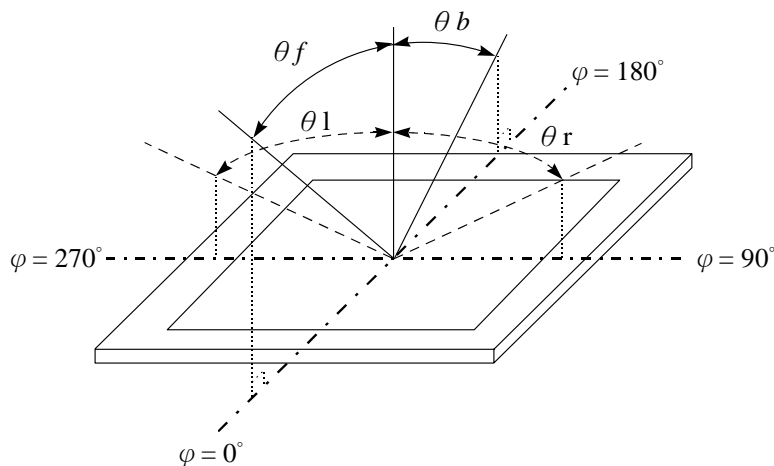
Definition of Response Time (Tr, Tf)



Conditions :

Operating Voltage : Vop Viewing Angle(θ , φ) : 0° , 0°
 Frame Frequency : 64 HZ Driving Waveform : 1/N duty , 1/a bias

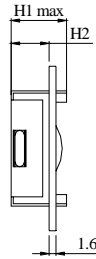
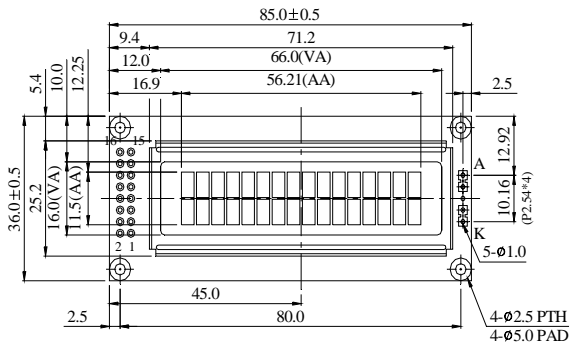
Definition of viewing angle($CR \geq 2$)



7. Interface Pin Function

| Pin No. | Symbol | Level | Description |
|---------|-----------------|------------|--|
| 1 | V _{SS} | 0V | GND |
| 2 | V _{DD} | 5.0V | +3V or +5V |
| 3 | VO | (Variable) | Contrast Adjustment |
| 4 | RS | H/L | Register select signal |
| 5 | R/W | H/L | H: Read(MPU→Module) L: Write(MPU→Module) |
| 6 | E | H,H→L | Chip enable signal |
| 7 | DB0 | H/L | Data bus line |
| 8 | DB1 | H/L | Data bus line |
| 9 | DB2 | H/L | Data bus line |
| 10 | DB3 | H/L | Data bus line |
| 11 | DB4 | H/L | Data bus line |
| 12 | DB5 | H/L | Data bus line |
| 13 | DB6 | H/L | Data bus line |
| 14 | DB7 | H/L | Data bus line |
| 15 | A/Vee | — | Power supply for B/L (+)/Negative Voltage output |
| 16 | K | — | Power supply for B/L (-) |

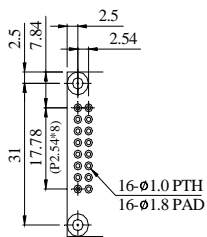
8. Contour Drawing & Block Diagram



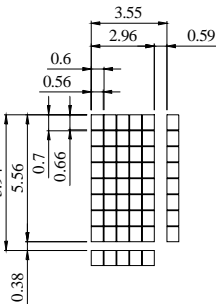
LED B/L

| | |
|----|------|
| H1 | 13.2 |
| H2 | 8.6 |

| PIN NO. | SYMBOL |
|---------|--------|
| 1 | Vss |
| 2 | Vdd |
| 3 | Vo |
| 4 | RS |
| 5 | R/W |
| 6 | E |
| 7 | DB0 |
| 8 | DB1 |
| 9 | DB2 |
| 10 | DB3 |
| 11 | DB4 |
| 12 | DB5 |
| 13 | DB6 |
| 14 | DB7 |
| 15 | A/Vee |
| 16 | K |

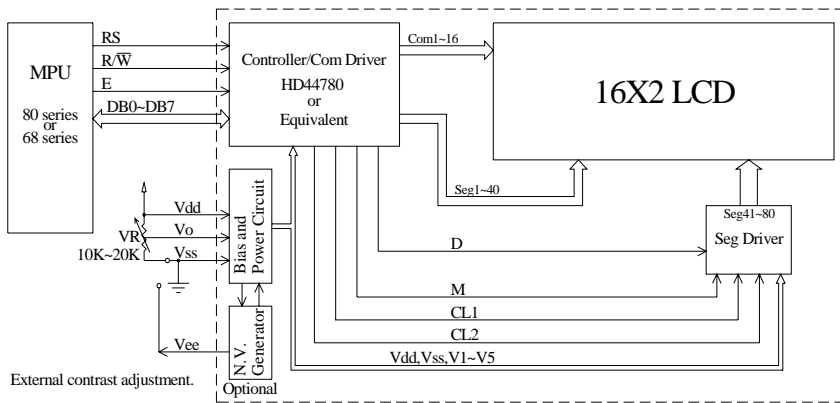


PIN DETAIL



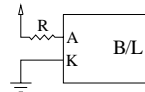
DOT SIZE

The non-specified tolerance of dimension is ±0.3mm.

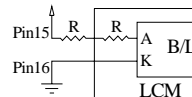


LED B/L Drive Method

1. Drive from A,K



2. Drive from pin15, pin16



(Will never get Vee output from pin15)

| | | | | | | | | | | | | | | | | |
|-------------------|----|----|----|----|----|----|----|----|----|----|----|----|----|----|----|----|
| Character located | 1 | 2 | 3 | 4 | 5 | 6 | 7 | 8 | 9 | 10 | 11 | 12 | 13 | 14 | 15 | 16 |
| DDRAM address | 00 | 01 | 02 | 03 | 04 | 05 | 06 | 07 | 08 | 09 | 0A | 0B | 0C | 0D | 0E | 0F |
| DDRAM address | 40 | 41 | 42 | 43 | 44 | 45 | 46 | 47 | 48 | 49 | 4A | 4B | 4C | 4D | 4E | 4F |

Display position DDRAM address

| | | | | | | | | | | | | | | | |
|----|----|----|----|----|----|----|----|----|----|----|----|----|----|----|----|
| 1 | 2 | 3 | 4 | 5 | 6 | 7 | 8 | 9 | 10 | 11 | 12 | 13 | 14 | 15 | 16 |
| 00 | 01 | 02 | 03 | 04 | 05 | 06 | 07 | 08 | 09 | 0A | 0B | 0C | 0D | 0E | 0F |
| 40 | 41 | 42 | 43 | 44 | 45 | 46 | 47 | 48 | 49 | 4A | 4B | 4C | 4D | 4E | 4F |

2-Line by 16-Character Display

Character Generator ROM (CGROM)

The CGROM generate 5×8 dot or 5×10 dot character patterns from 8-bit character codes. See Table 2.

Character Generator RAM (CGRAM)

In CGRAM, the user can rewrite character by program. For 5×8 dots, eight character patterns can be written, and for 5×10 dots, four character patterns can be written.

Write into DDRAM the character code at the addresses shown as the left column of table 1. To show the character patterns stored in CGRAM.

Relationship between CGRAM Addresses, Character Codes (DDRAM) and Character patterns

Table 1.

For 5 * 8 dot character patterns

| Character Codes (DDRAM data) | | | | | | | | CGRAM Address | | | | | | Character Patterns (CGRAM data) | | | | | | | | | | | | | | | | | | | | | | | | | | | |
|--------------------------------|---|---|---|-----|---|---|---|---------------|--|--|-----|--|--|-----------------------------------|---|---|---|-----------|--|---|--|-------|---|--|--|------------------------|--|-------|---|---|---|--|--|--|--|--|--|--|--|----------------|----------------|
| 7 | 6 | 5 | 4 | 3 | 2 | 1 | 0 | 5 | | | 4 | | | 3 | | | 2 | | | 1 | | | 0 | | | | | | | | | | | | | | | | | | |
| High | | | | Low | | | | High | | | Low | | | High | | | | Low | | | | | | | | | | | | | | | | | | | | | | | |
| 0 0 0 0 * 0 0 0 | | | | | | | | 0 0 0 | | | | | | 0 0 0 | * | * | * | 0 | | | | 0 | | | | Character pattern(1) | | | | | | | | | | | | | | | |
| | | | | | | | | | | | | | | 0 0 1 | * | * | * | 0 0 0 | | | | 0 | | | | | | | | | | | | | | | | | | | |
| | | | | | | | | | | | | | | 0 1 0 | * | * | * | 0 0 0 | | | | 0 | | | | | | | | | | | | | | | | | | | |
| | | | | | | | | | | | | | | 0 1 1 | * | * | * | 0 | | | | 0 | | | | | | | | | | | | | | | | | | | |
| | | | | | | | | | | | | | | 1 0 0 | * | * | * | 0 | | | | 0 0 | | | | | | | | | | | | | | | | | | | |
| | | | | | | | | | | | | | | 1 0 1 | * | * | * | 0 0 | | | | 0 | | | | | | | | | | | | | | | | | | | |
| | | | | | | | | | | | | | | 1 1 0 | * | * | * | 0 0 0 | | | | 0 | | | | | | | | | | | | | | | | | | | |
| | | | | | | | | | | | | | | 1 1 1 | * | * | * | 0 0 0 0 0 | | | | 0 | | | | | | | | | | | | | | | | | | | |
| | | | | | | | | | | | | | | 0 0 0 | * | * | * | 0 0 0 | | | | 0 0 0 | | | | | | | | | | | | | | | | | | | |
| | | | | | | | | | | | | | | 0 0 1 | * | * | * | 0 | | | | 0 0 0 | | | | | | | | | | | | | | | | | | | |
| 0 0 0 0 * 0 0 1 | | | | | | | | 0 0 1 | | | | | | 0 1 0 | * | * | * | 0 | | | | 0 | | | | Character pattern(2) | | | | | | | | | | | | | | | |
| | | | | | | | | | | | | | | 0 1 1 | * | * | * | 0 0 | | | | 0 0 | | | | | | | | | | | | | | | | | | | |
| | | | | | | | | | | | | | | 1 0 0 | * | * | * | 0 0 0 | | | | 0 0 | | | | | | | | | | | | | | | | | | | |
| | | | | | | | | | | | | | | 1 0 1 | * | * | * | 0 0 | | | | 0 0 | | | | | | | | | | | | | | | | | | | |
| | | | | | | | | | | | | | | 1 1 0 | * | * | * | 0 0 0 | | | | 0 0 | | | | | | | | | | | | | | | | | | | |
| | | | | | | | | | | | | | | 1 1 1 | * | * | * | 0 0 0 0 0 | | | | 0 | | | | | | | | | | | | | | | | | | | |
| | | | | | | | | | | | | | | | | | | | | | | | | | | | | 0 0 0 | * | * | * | | | | | | | | | Cursor pattern | |
| | | | | | | | | | | | | | | | | | | | | | | | | | | | | 0 0 1 | * | * | * | | | | | | | | | | |
| | | | | | | | | | | | | | | | | | | | | | | | | | | | | 1 0 0 | * | * | * | | | | | | | | | | |
| | | | | | | | | | | | | | | | | | | | | | | | | | | | | 1 0 1 | * | * | * | | | | | | | | | | |
| 1 1 0 | * | * | * | | | | | | | | | | | | | | | | | | | | | | | | | | | | | | | | | | | | | | |
| 1 1 1 | * | * | * | | | | | | | | | | | | | | | | | | | | | | | | | | | | | | | | | | | | | | |
| | | | | | | | | | | | | | | | | | | | | | | | | | | | | 1 1 1 | * | * | * | | | | | | | | | | Cursor pattern |
| | | | | | | | | | | | | | | | | | | | | | | | | | | | | 1 0 0 | * | * | * | | | | | | | | | | |
| | | | | | | | | | | | | | | | | | | | | | | | | | | | | 1 0 1 | * | * | * | | | | | | | | | | |
| | | | | | | | | | | | | | | | | | | | | | | | | | | | | 1 1 0 | * | * | * | | | | | | | | | | |
| | | | | | | | | | | | | | | 1 1 1 | * | * | * | | | | | | | | | | | | | | | | | | | | | | | | |

For 5 * 10 dot character patterns

| Character Codes (DDRAM data) | | | | | | | | CGRAM Address | | | | | | Character Patterns (CGRAM data) | | | | | | | | | | | | | | | | | | | | | | | | | | |
|--------------------------------|---|---|---|-----|---|---|---|---------------|--|--|-----|--|--|-----------------------------------|---|---|---|-------------|--|---|--|---|---|--|--|-------------------|--|---------|---|---|---|--|--|--|--|--|--|--|--|--|
| 7 | 6 | 5 | 4 | 3 | 2 | 1 | 0 | 5 | | | 4 | | | 3 | | | 2 | | | 1 | | | 0 | | | | | | | | | | | | | | | | | |
| High | | | | Low | | | | High | | | Low | | | High | | | | Low | | | | | | | | | | | | | | | | | | | | | | |
| 0 0 0 0 * 0 0 0 | | | | | | | | 0 0 | | | | | | 0 0 0 0 | * | * | * | 0 0 0 0 0 0 | | | | 0 | | | | Character pattern | | | | | | | | | | | | | | |
| | | | | | | | | | | | | | | 0 0 0 1 | * | * | * | 0 0 0 0 0 0 | | | | 0 | | | | | | | | | | | | | | | | | | |
| | | | | | | | | | | | | | | 0 0 1 0 | * | * | * | 0 | | | | 0 | | | | | | | | | | | | | | | | | | |
| | | | | | | | | | | | | | | 0 0 1 1 | * | * | * | 0 0 | | | | 0 | | | | | | | | | | | | | | | | | | |
| | | | | | | | | | | | | | | 0 1 0 0 | * | * | * | 0 0 0 | | | | 0 | | | | | | | | | | | | | | | | | | |
| | | | | | | | | | | | | | | 0 1 0 1 | * | * | * | 0 0 0 | | | | 0 | | | | | | | | | | | | | | | | | | |
| | | | | | | | | | | | | | | 0 1 1 0 | * | * | * | 0 0 0 0 | | | | 0 | | | | | | | | | | | | | | | | | | |
| | | | | | | | | | | | | | | 0 1 1 1 | * | * | * | 0 0 0 0 0 | | | | 0 | | | | | | | | | | | | | | | | | | |
| | | | | | | | | | | | | | | 1 0 0 0 | * | * | * | 0 0 0 0 0 | | | | 0 | | | | | | | | | | | | | | | | | | |
| | | | | | | | | | | | | | | 1 0 0 1 | * | * | * | 0 0 0 0 0 | | | | 0 | | | | | | | | | | | | | | | | | | |
| | | | | | | | | | | | | | | 1 0 1 0 | * | * | * | 0 0 0 0 0 | | | | 0 | | | | Cursor pattern | | | | | | | | | | | | | | |
| | | | | | | | | | | | | | | 1 1 1 1 | * | * | * | | | | | | | | | | | | | | | | | | | | | | | |
| | | | | | | | | | | | | | | | | | | | | | | | | | | | | 1 1 1 1 | * | * | * | | | | | | | | | |

■ : " High "

10.Character Generator ROM Pattern

Table.2

| Upper 4 bit Lower 4 bit | LLLL | LLLH | LLHL | LLHH | LHLL | LHLH | LHHL | LHHH | HLLL | HLLH | HLHL | HLHH | HHLL | HHLH | HHHL | HHHH |
|----------------------------------|------------------|------|------|------|------|------|------|------|------|------|------|------|------|------|------|------|
| LLLL | CG RAM (1) | | | 0 | 1 | 2 | 3 | 4 | | | 5 | 6 | 7 | 8 | 9 | : |
| LLLH | CG RAM (2) | | ! | 0 | 1 | 2 | 3 | 4 | | | 5 | 6 | 7 | 8 | 9 | ; |
| LLHL | CG RAM (3) | | " | 0 | 1 | 2 | 3 | 4 | | | 5 | 6 | 7 | 8 | 9 | < |
| LLHH | CG RAM (4) | | # | 0 | 1 | 2 | 3 | 4 | | | 5 | 6 | 7 | 8 | 9 | = |
| LHLL | CG RAM (5) | | \$ | 0 | 1 | 2 | 3 | 4 | | | 5 | 6 | 7 | 8 | 9 | > |
| LHLH | CG RAM (6) | | % | 0 | 1 | 2 | 3 | 4 | | | 5 | 6 | 7 | 8 | 9 | ? |
| LHHL | CG RAM (7) | | & | 0 | 1 | 2 | 3 | 4 | | | 5 | 6 | 7 | 8 | 9 | @ |
| LHHH | CG RAM (8) | | ' | 0 | 1 | 2 | 3 | 4 | | | 5 | 6 | 7 | 8 | 9 | ^ |
| HLLL | CG RAM (1) | | (| 0 | 1 | 2 | 3 | 4 | | | 5 | 6 | 7 | 8 | 9 | ~ |
| HLLH | CG RAM (2) | |) | 0 | 1 | 2 | 3 | 4 | | | 5 | 6 | 7 | 8 | 9 | ~ |
| HLHL | CG RAM (3) | | * | 0 | 1 | 2 | 3 | 4 | | | 5 | 6 | 7 | 8 | 9 | ~ |
| HLHH | CG RAM (4) | | + | 0 | 1 | 2 | 3 | 4 | | | 5 | 6 | 7 | 8 | 9 | ~ |
| HHLL | CG RAM (5) | | , | 0 | 1 | 2 | 3 | 4 | | | 5 | 6 | 7 | 8 | 9 | ~ |
| HHLH | CG RAM (6) | | - | 0 | 1 | 2 | 3 | 4 | | | 5 | 6 | 7 | 8 | 9 | ~ |
| HHHL | CG RAM (7) | | . | 0 | 1 | 2 | 3 | 4 | | | 5 | 6 | 7 | 8 | 9 | ~ |
| HHHH | CG RAM (8) | | / | 0 | 1 | 2 | 3 | 4 | | | 5 | 6 | 7 | 8 | 9 | ~ |

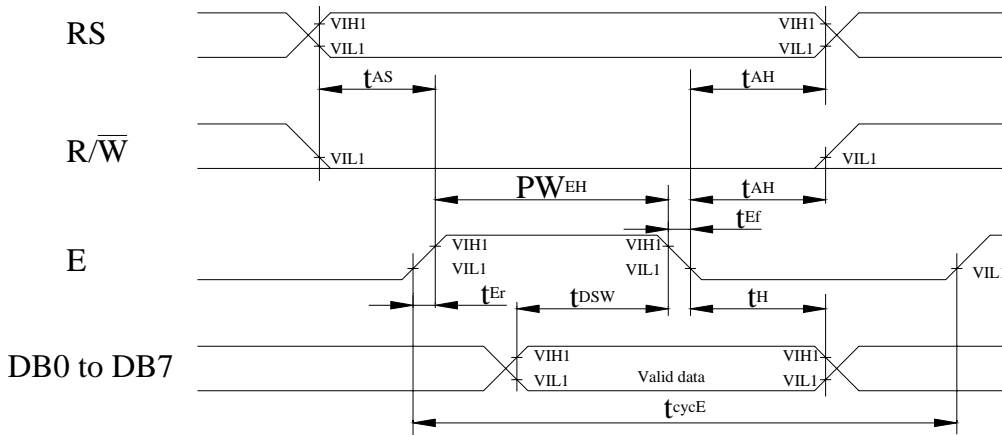
11. Instruction Table

| Instruction | Instruction Code | | | | | | | | | | Description | Execution time (fosc=270Khz) |
|----------------------------|------------------|-----|-----|-----|-----|-----|-----|-----|-----|-----|--|---------------------------------|
| | RS | R/W | DB7 | DB6 | DB5 | DB4 | DB3 | DB2 | DB1 | DB0 | | |
| Clear Display | 0 | 0 | 0 | 0 | 0 | 0 | 0 | 0 | 0 | 1 | Write "00H" to DDRAM and set DDRAM address to "00H" from AC | 1.53ms |
| Return Home | 0 | 0 | 0 | 0 | 0 | 0 | 0 | 0 | 1 | — | Set DDRAM address to "00H" from AC and return cursor to its original position if shifted. The contents of DDRAM are not changed. | 1.53ms |
| Entry Mode Set | 0 | 0 | 0 | 0 | 0 | 0 | 0 | 1 | I/D | SH | Assign cursor moving direction and enable the shift of entire display. | 39 μ s |
| Display ON/OFF Control | 0 | 0 | 0 | 0 | 0 | 0 | 1 | D | C | B | Set display (D), cursor (C), and blinking of cursor (B) on/off control bit. | 39 μ s |
| Cursor or Display Shift | 0 | 0 | 0 | 0 | 0 | 1 | S/C | R/L | — | — | Set cursor moving and display shift control bit, and the direction, without changing of DDRAM data. | 39 μ s |
| Function Set | 0 | 0 | 0 | 0 | 1 | DL | N | F | — | — | Set interface data length (DL:8-bit/4-bit), numbers of display line (N:2-line/1-line)and, display font type (F:5x11 dots/5x8 dots) | 39 μ s |
| Set CGRAM Address | 0 | 0 | 0 | 1 | AC5 | AC4 | AC3 | AC2 | AC1 | AC0 | Set CGRAM address in address counter. | 39 μ s |
| Set DDRAM Address | 0 | 0 | 1 | AC6 | AC5 | AC4 | AC3 | AC2 | AC1 | AC0 | Set DDRAM address in address counter. | 39 μ s |
| Read Busy Flag and Address | 0 | 1 | BF | AC6 | AC5 | AC4 | AC3 | AC2 | AC1 | AC0 | Whether during internal operation or not can be known by reading BF. The contents of address counter can also be read. | 0 μ s |
| Write Data to RAM | 1 | 0 | D7 | D6 | D5 | D4 | D3 | D2 | D1 | D0 | Write data into internal RAM (DDRAM/CGRAM). | 43 μ s |
| Read Data from RAM | 1 | 1 | D7 | D6 | D5 | D4 | D3 | D2 | D1 | D0 | Read data from internal RAM (DDRAM/CGRAM). | 43 μ s |

* "—" : don't care

12. Timing Characteristics

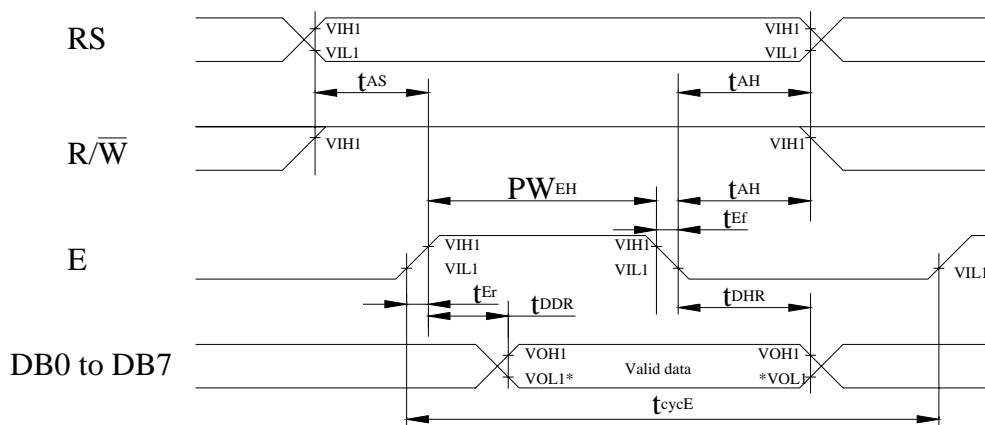
12.1 Write Operation



$T_a=25^{\circ}\text{C}$, $V_{DD}=5.0\pm 0.5\text{V}$

| Item | Symbol | Min | Typ | Max | Unit |
|------------------------------------|------------------|------|-----|-----|------|
| Enable cycle time | t_{cycE} | 1200 | — | — | ns |
| Enable pulse width (high level) | PW_{EH} | 140 | — | — | ns |
| Enable rise/fall time | t_{Er}, t_{Ef} | — | — | 25 | ns |
| Address set-up time (RS, R/W to E) | t_{AS} | 0 | — | — | ns |
| Address hold time | t_{AH} | 10 | — | — | ns |
| Data set-up time | t_{DSW} | 40 | — | — | ns |
| Data hold time | t_H | 10 | — | — | ns |

12.2 Read Operation

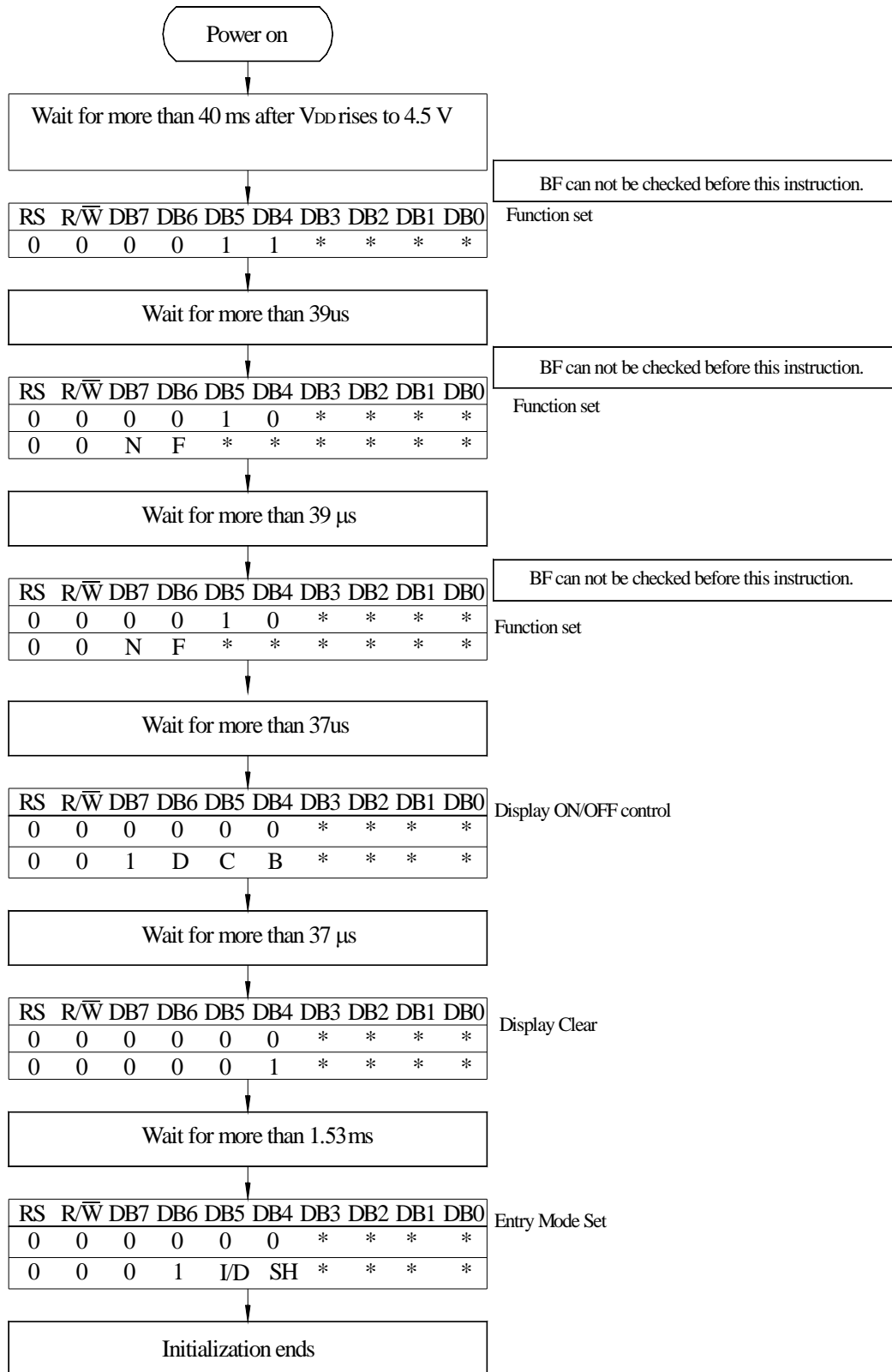


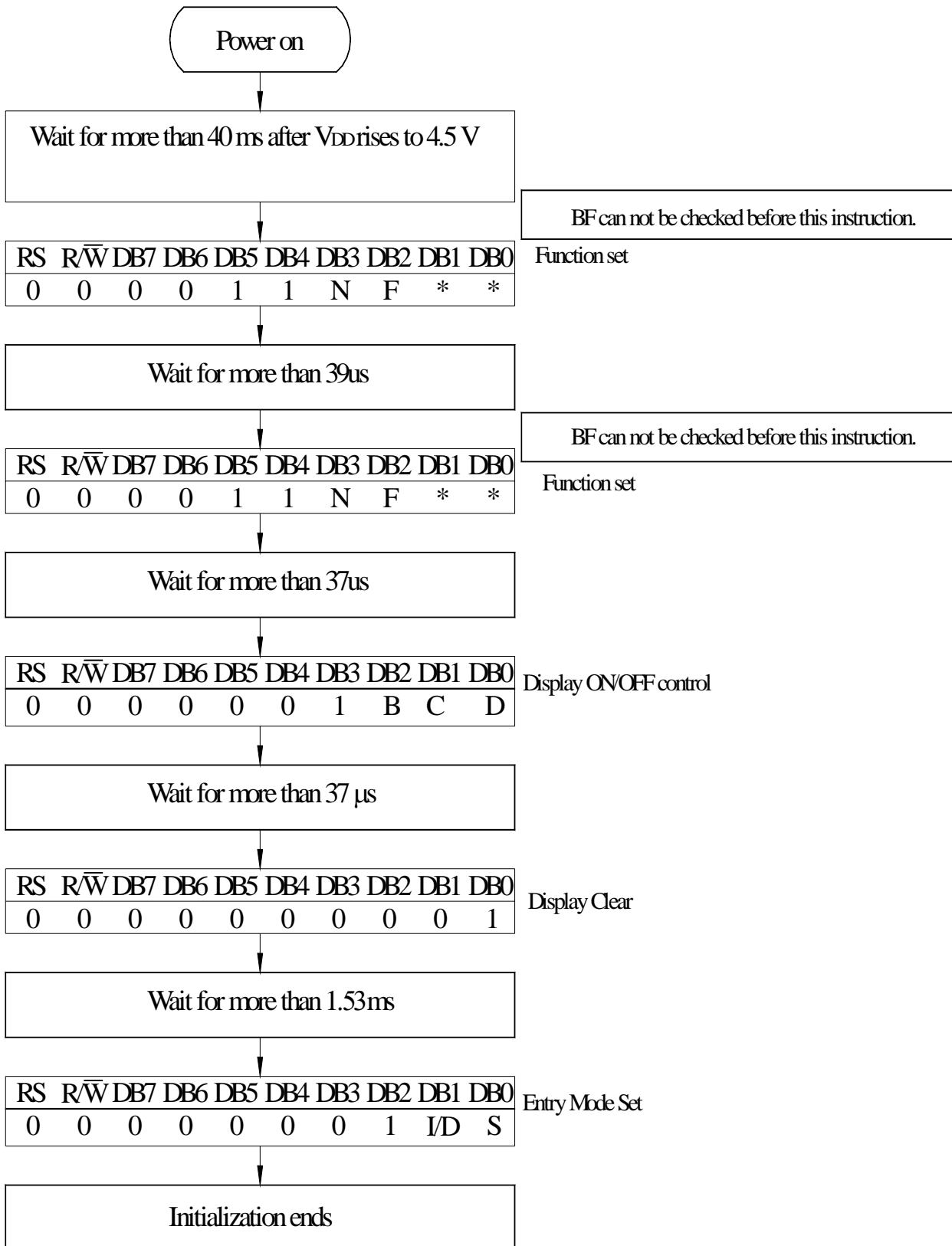
NOTE: *VOL1 is assumed to be 0.8V at 2 MHz operation.

$T_a=25^{\circ}\text{C}$, $V_{DD}=5.0\pm 0.5\text{V}$

| Item | Symbol | Min | Typ | Max | Unit |
|------------------------------------|------------------|------|-----|-----|------|
| Enable cycle time | t_{cycE} | 1200 | — | — | ns |
| Enable pulse width (high level) | PW_{EH} | 140 | — | — | ns |
| Enable rise/fall time | t_{Er}, t_{Ef} | — | — | 25 | ns |
| Address set-up time (RS, R/W to E) | t_{AS} | 0 | — | — | ns |
| Address hold time | t_{AH} | 10 | — | — | ns |
| Data delay time | t_{DDR} | — | — | 100 | ns |
| Data hold time | t_{DHR} | 10 | — | — | ns |

13. Initializing of LCM





8-Bit Ineterface

14. Reliability

Content of Reliability Test (wide temperature, -20°C~70°C)

| Environmental Test | | | |
|---|--|--|------|
| Test Item | Content of Test | Test Condition | Note |
| High Temperature storage | Endurance test applying the high storage temperature for a long time. | 80°C 200hrs | 2 |
| Low Temperature storage | Endurance test applying the high storage temperature for a long time. | -30°C 200hrs | 1,2 |
| High Temperature Operation | Endurance test applying the electric stress (Voltage & Current) and the thermal stress to the element for a long time. | 70°C 200hrs | — |
| Low Temperature Operation | Endurance test applying the electric stress under low temperature for a long time. | -20°C 200hrs | 1 |
| High Temperature/ Humidity Operation | The module should be allowed to stand at 60°C, 90%RH max For 96hrs under no-load condition excluding the polarizer, Then taking it out and drying it at normal temperature. | 60°C, 90%RH 96hrs | 1,2 |
| Thermal shock resistance | The sample should be allowed stand the following 10 cycles of operation <div style="text-align: center;"> <p style="margin: 0;">-20°C 25°C 70°C</p> <p style="margin: 0;">30min 5min 30min</p> <p style="margin: 0;">1 cycle</p> </div> | -20°C/70°C 10 cycles | — |
| Vibration test | Endurance test applying the vibration during transportation and using. | Total fixed amplitude : 15mm Vibration Frequency : 10~55Hz One cycle 60 seconds to 3 directions of X,Y,Z for Each 15 minutes | 3 |
| Static electricity test | Endurance test applying the electric stress to the terminal. | VS=800V,RS=1.5kΩ CS=100pF 1 time | — |

Note1: No dew condensation to be observed.

Note2: The function test shall be conducted after 4 hours storage at the normal Temperature and humidity after remove from the test chamber.

Note3: Vibration test will be conducted to the product itself without putting it in a container.

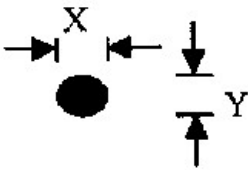
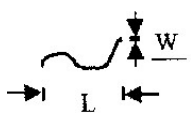
15. Backlight Information

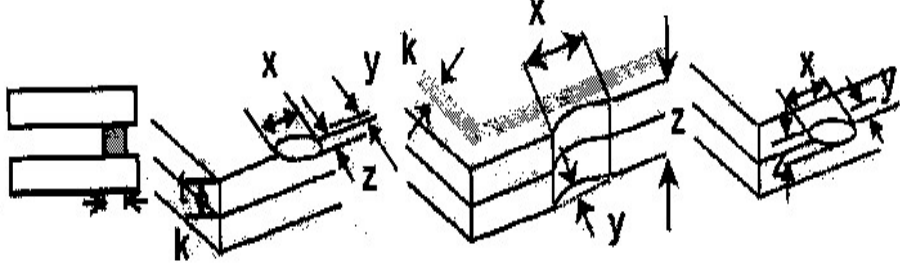
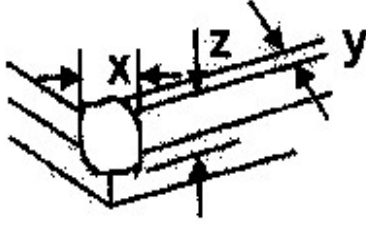
Specification

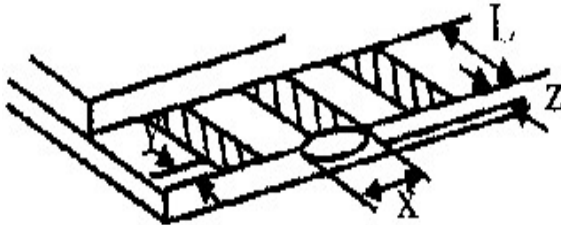
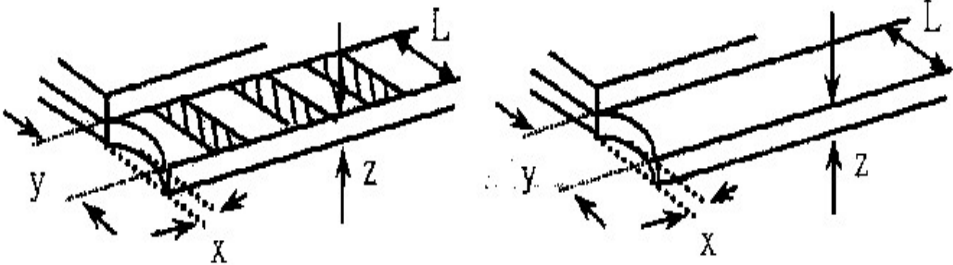
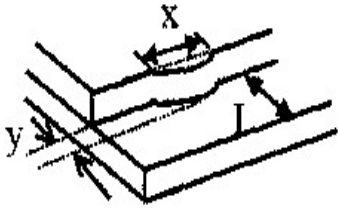
| PARAMETER | SYMBOL | MIN | TYP | MAX | UNIT | TEST CONDITION |
|--------------------|------------------|-----|--------|-----|-------------------|-------------------------|
| Supply Current | I _{LED} | 80 | 100 | 150 | mA | V=4.2V |
| Supply Voltage | V | 4.0 | 4.2 | 4.4 | V | — |
| Reverse Voltage | V _R | — | — | 8 | V | — |
| Luminous Intensity | I _V | — | 60 | — | CD/M ² | I _{LED} =100mA |
| Wave Length | λ _p | 560 | 570 | 580 | nm | I _{LED} =100mA |
| Life Time | — | — | 100000 | — | Hr. | V ≤ 4.2V |
| Color | Yellow Green | | | | | |

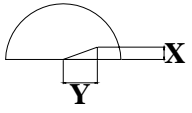
Note: The LED of B/L is drive by current only, drive voltage is for reference only. drive voltage can make driving current under safety area (current between minimum and maximum).

16. Inspection specification

| NO | Item | Criterion | AQL | | | | | | | | | | | | |
|--|---|--|-----------------|-----------------|------------------|-----------------|-------------------------|----------------------|-------------------------|--------------|----------------------|-----|-------------------|---------------|-----|
| 01 | Electrical Testing | 1.1 Missing vertical, horizontal segment, segment contrast defect. 1.2 Missing character , dot or icon. 1.3 Display malfunction. 1.4 No function or no display. 1.5 Current consumption exceeds product specifications. 1.6 LCD viewing angle defect. 1.7 Mixed product types. 1.8 Contrast defect. | 0.65 | | | | | | | | | | | | |
| 02 | Black or white spots on LCD (display only) | 2.1 White and black spots on display $\leq 0.25\text{mm}$, no more than three white or black spots present. 2.2 Densely spaced: No more than two spots or lines within 3mm | 2.5 | | | | | | | | | | | | |
| 03 | LCD black spots, white spots, contamination (non-display) | 3.1 Round type : As following drawing $\Phi = (x + y) / 2$  <table border="1" data-bbox="858 929 1337 1142"> <thead> <tr> <th>SIZE</th> <th>Acceptable Q TY</th> </tr> </thead> <tbody> <tr> <td>$\Phi \leq 0.10$</td> <td>Accept no dense</td> </tr> <tr> <td>$0.10 < \Phi \leq 0.20$</td> <td>2</td> </tr> <tr> <td>$0.20 < \Phi \leq 0.25$</td> <td>1</td> </tr> <tr> <td>$0.25 < \Phi$</td> <td>0</td> </tr> </tbody> </table> | SIZE | Acceptable Q TY | $\Phi \leq 0.10$ | Accept no dense | $0.10 < \Phi \leq 0.20$ | 2 | $0.20 < \Phi \leq 0.25$ | 1 | $0.25 < \Phi$ | 0 | 2.5 | | |
| | | SIZE | Acceptable Q TY | | | | | | | | | | | | |
| $\Phi \leq 0.10$ | Accept no dense | | | | | | | | | | | | | | |
| $0.10 < \Phi \leq 0.20$ | 2 | | | | | | | | | | | | | | |
| $0.20 < \Phi \leq 0.25$ | 1 | | | | | | | | | | | | | | |
| $0.25 < \Phi$ | 0 | | | | | | | | | | | | | | |
| 3.2 Line type : (As following drawing)  <table border="1" data-bbox="694 1220 1337 1429"> <thead> <tr> <th>Length</th> <th>Width</th> <th>Acceptable Q TY</th> </tr> </thead> <tbody> <tr> <td>---</td> <td>$W \leq 0.02$</td> <td>Accept no dense</td> </tr> <tr> <td>$L \leq 3.0$</td> <td>$0.02 < W \leq 0.03$</td> <td rowspan="2">2</td> </tr> <tr> <td>$L \leq 2.5$</td> <td>$0.03 < W \leq 0.05$</td> </tr> <tr> <td>---</td> <td>$0.05 < W$</td> <td>As round type</td> </tr> </tbody> </table> | Length | Width | Acceptable Q TY | --- | $W \leq 0.02$ | Accept no dense | $L \leq 3.0$ | $0.02 < W \leq 0.03$ | 2 | $L \leq 2.5$ | $0.03 < W \leq 0.05$ | --- | $0.05 < W$ | As round type | 2.5 |
| Length | Width | Acceptable Q TY | | | | | | | | | | | | | |
| --- | $W \leq 0.02$ | Accept no dense | | | | | | | | | | | | | |
| $L \leq 3.0$ | $0.02 < W \leq 0.03$ | 2 | | | | | | | | | | | | | |
| $L \leq 2.5$ | $0.03 < W \leq 0.05$ | | | | | | | | | | | | | | |
| --- | $0.05 < W$ | As round type | | | | | | | | | | | | | |
| 04 | Polarizer bubbles | If bubbles are visible, judge using black spot specifications, not easy to find, must check in specify direction. <table border="1" data-bbox="826 1478 1337 1731"> <thead> <tr> <th>Size Φ</th> <th>Acceptable Q TY</th> </tr> </thead> <tbody> <tr> <td>$\Phi \leq 0.20$</td> <td>Accept no dense</td> </tr> <tr> <td>$0.20 < \Phi \leq 0.50$</td> <td>3</td> </tr> <tr> <td>$0.50 < \Phi \leq 1.00$</td> <td>2</td> </tr> <tr> <td>$1.00 < \Phi$</td> <td>0</td> </tr> <tr> <td>Total Q TY</td> <td>3</td> </tr> </tbody> </table> | Size Φ | Acceptable Q TY | $\Phi \leq 0.20$ | Accept no dense | $0.20 < \Phi \leq 0.50$ | 3 | $0.50 < \Phi \leq 1.00$ | 2 | $1.00 < \Phi$ | 0 | Total Q TY | 3 | 2.5 |
| Size Φ | Acceptable Q TY | | | | | | | | | | | | | | |
| $\Phi \leq 0.20$ | Accept no dense | | | | | | | | | | | | | | |
| $0.20 < \Phi \leq 0.50$ | 3 | | | | | | | | | | | | | | |
| $0.50 < \Phi \leq 1.00$ | 2 | | | | | | | | | | | | | | |
| $1.00 < \Phi$ | 0 | | | | | | | | | | | | | | |
| Total Q TY | 3 | | | | | | | | | | | | | | |

| NO | Item | Criterion | AQL | | | | | | | | | | | | | | | | | | |
|--------------------|-----------------------|---|-------------------|---------------|----------------|---------------|-----------------------|---------------|--------------------|-----------------|---------------|-------------------|---------------|----------------|---------------|-----------------------|---------------|--------------------|-----------------|---------------|-----|
| 05 | Scratches | Follow NO.3 LCD black spots, white spots, contamination | | | | | | | | | | | | | | | | | | | |
| 06 | Chipped glass | <p>Symbols Define: x: Chip length y: Chip width z: Chip thickness k: Seal width t: Glass thickness a: LCD side length L: Electrode pad length:</p> <p>6.1 General glass chip : 6.1.1 Chip on panel surface and crack between panels:</p>  <table border="1" data-bbox="427 806 1332 936"> <tr> <td>z: Chip thickness</td> <td>y: Chip width</td> <td>x: Chip length</td> </tr> <tr> <td>$Z \leq 1/2t$</td> <td>Not over viewing area</td> <td>$x \leq 1/8a$</td> </tr> <tr> <td>$1/2t < z \leq 2t$</td> <td>Not exceed 1/3k</td> <td>$x \leq 1/8a$</td> </tr> </table> <p>⊙If there are 2 or more chips, x is total length of each chip.</p> <p>6.1.2 Corner crack:</p>  <table border="1" data-bbox="427 1332 1332 1462"> <tr> <td>z: Chip thickness</td> <td>y: Chip width</td> <td>x: Chip length</td> </tr> <tr> <td>$Z \leq 1/2t$</td> <td>Not over viewing area</td> <td>$x \leq 1/8a$</td> </tr> <tr> <td>$1/2t < z \leq 2t$</td> <td>Not exceed 1/3k</td> <td>$x \leq 1/8a$</td> </tr> </table> <p>⊙If there are 2 or more chips, x is the total length of each chip.</p> | z: Chip thickness | y: Chip width | x: Chip length | $Z \leq 1/2t$ | Not over viewing area | $x \leq 1/8a$ | $1/2t < z \leq 2t$ | Not exceed 1/3k | $x \leq 1/8a$ | z: Chip thickness | y: Chip width | x: Chip length | $Z \leq 1/2t$ | Not over viewing area | $x \leq 1/8a$ | $1/2t < z \leq 2t$ | Not exceed 1/3k | $x \leq 1/8a$ | 2.5 |
| z: Chip thickness | y: Chip width | x: Chip length | | | | | | | | | | | | | | | | | | | |
| $Z \leq 1/2t$ | Not over viewing area | $x \leq 1/8a$ | | | | | | | | | | | | | | | | | | | |
| $1/2t < z \leq 2t$ | Not exceed 1/3k | $x \leq 1/8a$ | | | | | | | | | | | | | | | | | | | |
| z: Chip thickness | y: Chip width | x: Chip length | | | | | | | | | | | | | | | | | | | |
| $Z \leq 1/2t$ | Not over viewing area | $x \leq 1/8a$ | | | | | | | | | | | | | | | | | | | |
| $1/2t < z \leq 2t$ | Not exceed 1/3k | $x \leq 1/8a$ | | | | | | | | | | | | | | | | | | | |

| NO | Item | Criterion | AQL | | | | | | | | | | | | | | | | |
|-----------------------|----------------|---|---------------|----------------|-------------------|-----------------------|---------------|----------------|---------------|----------------|-------------------|------------|---------------|----------------|----------|-----------|---------------|------------|-----|
| 06 | Glass crack | <p>Symbols :</p> <p>x: Chip length y: Chip width z: Chip thickness</p> <p>k: Seal width t: Glass thickness a: LCD side length</p> <p>L: Electrode pad length</p> <p>6.2 Protrusion over terminal :</p> <p>6.2.1 Chip on electrode pad :</p>  <table border="1" data-bbox="336 703 1249 790"> <tr> <td>y: Chip width</td> <td>x: Chip length</td> <td>z: Chip thickness</td> </tr> <tr> <td>$y \leq 0.5\text{mm}$</td> <td>$x \leq 1/8a$</td> <td>$0 < z \leq t$</td> </tr> </table> <p>6.2.2 Non-conductive portion:</p>  <table border="1" data-bbox="408 1122 1249 1209"> <tr> <td>y: Chip width</td> <td>x: Chip length</td> <td>z: Chip thickness</td> </tr> <tr> <td>$y \leq L$</td> <td>$x \leq 1/8a$</td> <td>$0 < z \leq t$</td> </tr> </table> <p>⊙ If the chipped area touches the ITO terminal, over 2/3 of the ITO must remain and be inspected according to electrode terminal specifications.</p> <p>⊙ If the product will be heat sealed by the customer, the alignment mark not be damaged.</p> <p>6.2.3 Substrate protuberance and internal crack.</p>  <table border="1" data-bbox="746 1435 1254 1523"> <tr> <td>y: width</td> <td>x: length</td> </tr> <tr> <td>$y \leq 1/3L$</td> <td>$x \leq a$</td> </tr> </table> | y: Chip width | x: Chip length | z: Chip thickness | $y \leq 0.5\text{mm}$ | $x \leq 1/8a$ | $0 < z \leq t$ | y: Chip width | x: Chip length | z: Chip thickness | $y \leq L$ | $x \leq 1/8a$ | $0 < z \leq t$ | y: width | x: length | $y \leq 1/3L$ | $x \leq a$ | 2.5 |
| y: Chip width | x: Chip length | z: Chip thickness | | | | | | | | | | | | | | | | | |
| $y \leq 0.5\text{mm}$ | $x \leq 1/8a$ | $0 < z \leq t$ | | | | | | | | | | | | | | | | | |
| y: Chip width | x: Chip length | z: Chip thickness | | | | | | | | | | | | | | | | | |
| $y \leq L$ | $x \leq 1/8a$ | $0 < z \leq t$ | | | | | | | | | | | | | | | | | |
| y: width | x: length | | | | | | | | | | | | | | | | | | |
| $y \leq 1/3L$ | $x \leq a$ | | | | | | | | | | | | | | | | | | |

| NO | Item | Criterion | AQL |
|----|--------------------|--|---|
| 07 | Cracked glass | The LCD with extensive crack is not acceptable. | 2.5 |
| 08 | Backlight elements | 8.1 Illumination source flickers when lit. 8.2 Spots or scratched that appear when lit must be judged. Using LCD spot, lines and contamination standards. 8.3 Backlight doesn't light or color wrong. | 0.65 2.5 0.65 |
| 09 | Bezel | 9.1 Bezel may not have rust, be deformed or have fingerprints, stains or other contamination. 9.2 Bezel must comply with job specifications. | 2.5 0.65 |
| 10 | PCB 、 COB | 10.1 COB seal may not have pinholes larger than 0.2mm or contamination. 10.2 COB seal surface may not have pinholes through to the IC. 10.3 The height of the COB should not exceed the height indicated in the assembly diagram. 10.4 There may not be more than 2mm of sealant outside the seal area on the PCB. And there should be no more than three places. 10.5 No oxidation or contamination PCB terminals. 10.6 Parts on PCB must be the same as on the production characteristic chart. There should be no wrong parts, missing parts or excess parts. 10.7 The jumper on the PCB should conform to the product characteristic chart. 10.8 If solder gets on bezel tab pads, LED pad, zebra pad or screw hold pad, make sure it is smoothed down. 10.9 The Scraping testing standard for Copper Coating of PCB  $X * Y \leq 2\text{mm}^2$ | 2.5 2.5 0.65 2.5 2.5 0.65 0.65 2.5 2.5 2.5 |
| 11 | Soldering | 11.1 No un-melted solder paste may be present on the PCB. 11.2 No cold solder joints, missing solder connections, oxidation or icicle. 11.3 No residue or solder balls on PCB. 11.4 No short circuits in components on PCB. | 2.5 2.5 2.5 0.65 |

| NO | Item | Criterion | AQL |
|----|--------------------|---|------|
| 12 | General appearance | 12.1 No oxidation, contamination, curves or, bends on interface Pin (OLB) of TCP. | 2.5 |
| | | 12.2 No cracks on interface pin (OLB) of TCP. | 0.65 |
| | | 12.3 No contamination, solder residue or solder balls on product. | 2.5 |
| | | 12.4 The IC on the TCP may not be damaged, circuits. | 2.5 |
| | | 12.5 The uppermost edge of the protective strip on the interface pin must be present or look as if it cause the interface pin to sever. | 2.5 |
| | | 12.6 The residual rosin or tin oil of soldering (component or chip component) is not burned into brown or black color. | 2.5 |
| | | 12.7 Sealant on top of the ITO circuit has not hardened. | 0.65 |
| | | 12.8 Pin type must match type in specification sheet. | 0.65 |
| | | 12.9 LCD pin loose or missing pins. | 0.65 |
| | | 12.10 Product packaging must the same as specified on packaging specification sheet. | 0.65 |
| | | 12.11 Product dimension and structure must conform to product specification sheet. | |



Module Number : _____

Page: 1

1、Panel Specification :

- 1. Panel Type : Pass NG , _____
- 2. View Direction : Pass NG , _____
- 3. Numbers of Dots : Pass NG , _____
- 4. View Area : Pass NG , _____
- 5. Active Area : Pass NG , _____
- 6. Operating Temperature : Pass NG , _____
- 7. Storage Temperature : Pass NG , _____
- 8. Others : _____

2、Mechanical Specification :

- 1. PCB Size : Pass NG , _____
- 2. Frame Size : Pass NG , _____
- 3. Material of Frame : Pass NG , _____
- 4. Connector Position : Pass NG , _____
- 5. Fix Hole Position : Pass NG , _____
- 6. Backlight Position : Pass NG , _____
- 7. Thickness of PCB : Pass NG , _____
- 8. Height of Frame to PCB : Pass NG , _____
- 9. Height of Module : Pass NG , _____
- 10. Others : Pass NG , _____

3、Relative Hole Size :

- 1. Pitch of Connector : Pass NG , _____
- 2. Hole size of Connector : Pass NG , _____
- 3. Mounting Hole size : Pass NG , _____
- 4. Mounting Hole Type : Pass NG , _____
- 5. Others : Pass NG , _____

4、Backlight Specification :

- 1. B/L Type : Pass NG , _____
- 2. B/L Color : Pass NG , _____
- 3. B/L Driving Voltage (Reference for LED Type) : Pass NG , _____
- 4. B/L Driving Current : Pass NG , _____
- 5. Brightness of B/L : Pass NG , _____
- 6. B/L Solder Method : Pass NG , _____
- 7. Others : Pass NG , _____

>> **Go to page 2** <<



Module Number : _____

5、Electronic Characteristics of Module :

- 1. Input Voltage : Pass NG , _____
- 2. Supply Current : Pass NG , _____
- 3. Driving Voltage for LCD : Pass NG , _____
- 4. Contrast for LCD : Pass NG , _____
- 5. B/L Driving Method : Pass NG , _____
- 6. Negative Voltage Output : Pass NG , _____
- 7. Interface Function : Pass NG , _____
- 8. LCD Uniformity : Pass NG , _____
- 9. ESD test : Pass NG , _____
- 10. Others : Pass NG , _____

6、Summary :

Sales signature : _____

Customer Signature : _____

Date : _____ / _____ / _____