

客戶名稱 : **Inter Ru**  
CUSTOMER

Documnet No.: ENS000041140  
Approval Sheet Rev.: A0  
Spec. Rev. : P0

**承 認 書**  
**APPROVAL SHEET**

產品品名/Product Model No. : **DAM-P2-D-N0-000-08-02**

客戶料號/Customer No. : \_\_\_\_\_

發行日期/ Issue Date : **2011/07/21**

承認日期/ Approved Date : \_\_\_\_\_

**Approved by customer: (signing or stamping here)**

 **佳邦科技股份有限公司**  
**INPAQ TECHNOLOGY CO., LTD.**

<input checked="" type="checkbox"/> 350 苗栗縣竹南鎮公義里11鄰科義街11號	<input type="checkbox"/> 408 台中市南屯區工業二十路17號
電話 : 037-585-555	電話 : 04-2359-9871
傳真 : 037-585-511	傳真 : 04-2359-7548
No. 11, Ke-Yi St., Chunan, Miaoli 350, Taiwan, R.O.C.	No. 17, 20th Road, Taichung Industrial Park, Taichung Taiwan 408, R.O.C
Tel. : +886-37-585-555	Tel. : +886-4-23599871
Fax : +886-37-585-511	Fax : +886-4-23597548

## DAM-P2-D-N0-000-08-02

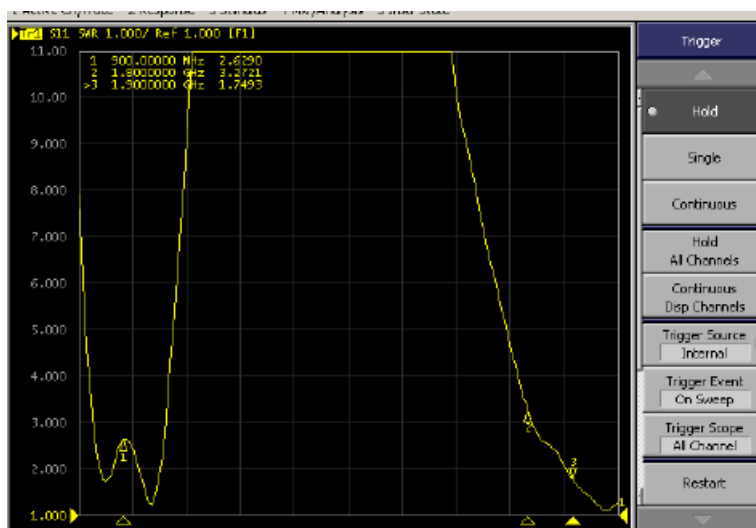
### 1. Explanation of Part Number

DAM - P2 - D - N0 - 000 - 08 - 02  
 (1) (2) (3) (4) (5) (6) (7)

- (1) Product type : DAM-Dipole Antenna Module
  - (2) Appearance Series : P2
  - (3) Frequency : D=900MHz,1800MHz~1900MHz
  - (4) Coaxial Cable Specification : NO Cable
  - (5) Coaxial Cable Length : 000=no Length
  - (6) Connector Types :08= SMA connector
  - (7) Suffix for special requirements : 02=no cable
- ※ RoHS Compliant

### 2. Electrical properties:

Item	Property
Frequency Range	900MHz,1800MHz~1900MHz
Impedance	50 Ω (Typ.)
VSWR	4 max.
Peak Gain	1.0 dBi (Typ.)



Frequency	900	1800	1900
VSWR	2.62	3.27	1.74

UNLESS OTHER SPECIFIED TOLERANCES ON :  
 X=N/R      X.X=N/R      X.XX =N/R  
 ANGLES=N/R      HOLEDIA=N/R



**INPAQ TECHNOLOGY CO., LTD.**

SCALE : N/R      UNIT : mm  
 DRAWN BY : 張嘉穗      CHECKED BY : 楊奇峰  
 DESIGNED BY : 張焜迪      APPROVED BY : 陳智崑

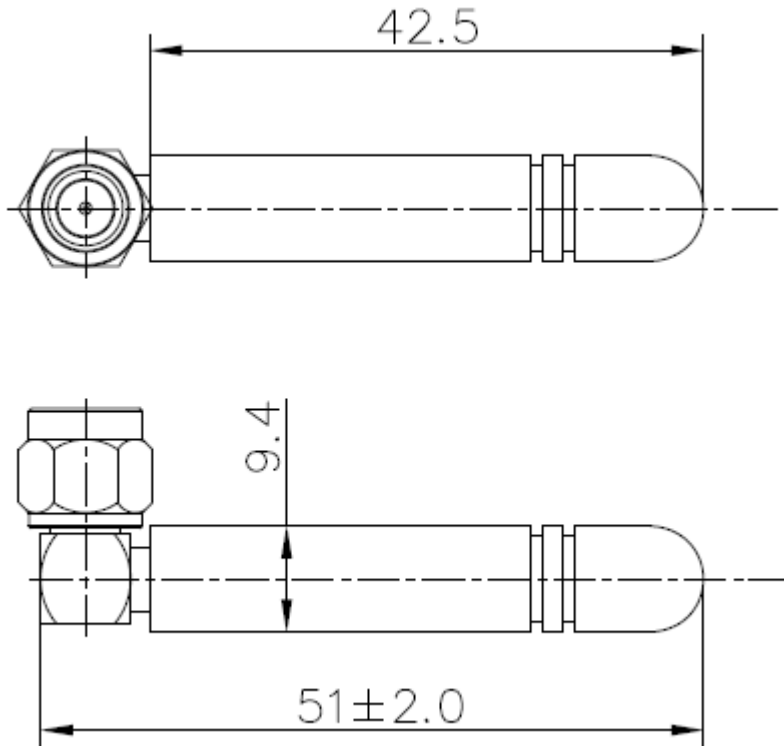
THIS DRAWINGS AND SPECIFICATIONS ARE THE PROPERTY OF INPAQ TECHNOLOGY CO.,LTD.AND SHALL NOT BE REPRODUCED OR USED AS THE BASIS FOR THE MANUFACTURE OR SALE OF APPARATUS OR DEVICES WITHOUT PERMISSION

TITLE : DAM-P2-D-N0-000-08-02

DOCUMENT NO.      **ENS000041140**

SPEC REV.      **P0**

3.Mechanical properties:



2	本體	TPE	黑色
1	SMA90° 公頭公針	銅	鍍金
NO.	Description	Material	finish

UNLESS OTHER SPECIFIED TOLERANCES ON :  
 X=N/R      X.X=N/R      X.XX =N/R  
 ANGLES=N/R      HOLEDIA=N/R



INPAQ TECHNOLOGY CO., LTD.

SCALE : N/R      UNIT : mm  
 DRAWN BY : 張嘉穗      CHECKED BY : 楊奇峰  
 DESIGNED BY : 張焜迪      APPROVED BY : 陳智崴

THIS DRAWINGS AND SPECIFICATIONS ARE THE PROPERTY OF INPAQ TECHNOLOGY CO.,LTD.AND SHALL NOT BE REPRODUCED OR USED AS THE BASIS FOR THE MANUFACTURE OR SALE OF APPARATUS OR DEVICES WITHOUT PERMISSION

TITLE : DAM-P2-D-N0-000-08-02

DOCUMENT NO.	ENS000041140	SPEC REV.
		P0

**4. Environmental Characteristics:**

No	Item	Test Condition	Specification
4-1	High Temperature/Humidity	1.Temperature : +60±2°C. 2.Humidity : 90~95%RH 3.Time : 24hrs	1. Normal functional test must be satisfied after the test.  2. No material deformation is allowed.
4-2	Low Temperature/Humidity	1.Temperature : -20±2°C. 2.Humidity : 0%RH 3.Time : 24hrs	
4-3	High Temperature/Humidity Storage	1.Temperature : +80±2°C. 2.Humidity : 90~95%RH 3.Time : 88hrs	
4-4	Low Temperature/Humidity Storage	1.Temperature : -40±2°C. 2.Humidity : 0%RH 3.Time : 28hr	
4-5	Temperature Cycle Operating Test	1.Temperature : -40~+75°C 2.Duration : ● 88 Hours, ● 45min/dwelling@ -40°C, ● 10°C per min./transition from -40°C to 75°C, ● 45min/dwelling@75°C,	
4-6	Temperature Shock Test	1.Temperature : -40±°C ~+85°C. 2.Time : 30 minutes/dwelling, 5 minutes/ transition, 24 cycles	

UNLESS OTHER SPECIFIED TOLERANCES ON :  
 X=N/R      X.X=N/R      X.XX =N/R  
 ANGLES=N/R      HOLEDIA=N/R


**INPAQ TECHNOLOGY CO., LTD.**

SCALE : N/R

UNIT : mm

DRAWN BY : 張嘉穗

CHECKED BY : 楊奇峰

DESIGNED BY : 張焜迪

APPROVED BY : 陳智崑

THIS DRAWINGS AND SPECIFICATIONS ARE THE PROPERTY OF INPAQ TECHNOLOGY CO.,LTD.AND SHALL NOT BE REPRODUCED OR USED AS THE BASIS FOR THE MANUFACTURE OR SALE OF APPARATUS OR DEVICES WITHOUT PERMISSION

TITLE : DAM-P2-D-N0-000-08-02

DOCUMENT NO.

**ENS000041140**

SPEC REV.

**P0**