

# FLO Series



# Amphenol LTW FLO Products Series

A new product line of metal push-pull connector series intermateable with **Fischer, Lemo, and ODU**. FLO series offers a quick and easy mating for a precise and reliable connection for signal, data, and power transmission both in indoor or outdoor environments. ALTW is also capable to offer various customization upon request and provide overall solutions.

Key features are:

- Intermateable with **Fischer, Lemo, and ODU**
- Easy auto-latching plug, fast and secure
- Reliable connection for signal/power transmission
- Metal shell for 360° EMI shielding
- Flexibility & capability of customization (Double ended, overmolded 180/90, adaptors...)



IPX8  
Protection



Corrosion  
Resistant



Data  
Transmission



Harsh  
Environment



Quick  
Installation



Fully  
Shielded



IP50



RoHS  
Compliance



UL 94V-0

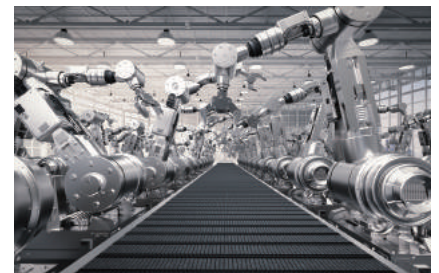
## Market



Testing & Measurement Instrumentation



Industrial Control



Robotics



Non-Invasive Medical Electronic Equipment



Broadcast



Machines



Outdoor & Rugged LED Lighting



Telecommunication System



Military's Communication System

# Table of Content

General Information .....	P-1
Locking Principle .....	P-2
Ordering Information .....	P-3
B-Series	
● Range overview .....	P-4
● Contact Configuration .....	P-5.6
● Connector Type .....	P-7.8.9
● Accessories .....	P-10
● Alignment Keying .....	P-11
● Cable Collect .....	P-11
K-Series	
● Range overview .....	P-12
● Contact Configuration .....	P-13.14
● Connector Type .....	P-15.16
● Accessories .....	P-17
● Alignment Keying .....	P-18
● Cable Collect .....	P-18
Cable Assembly Options.....	P-19

# General Information



## Specification

Series	B-Series	K-Series	C-Series*	S-Series*	E-Series*	P-Series*
Contact Number	2~32	2~32	2~19	2~48	2~48	2~14
Current Rating	1.5A~35A	1.5A~35A	1.5A~20A	6A~50A	6A~50A	2A~10A
Working Voltage (rms)	160V~600V	160V~600V	160V~700V	260V~1000V	260V~1000V	200V~400V
Waterproof Rating	IP50	IPX8**	IPX8**	IP50	IPX8**	IPX6
Working Temperature (Panel / Field Installable) (Overmolded with Cable)	-40°C to +125°C	-40°C to +125°C	-40°C to +125°C	-55°C to +125°C	-55°C to +125°C	-50°C to +125°C
	-20°C to +80°C	-20°C to +80°C	-20°C to +80°C	-20°C to +80°C	-20°C to +80°C	-20°C to +80°C
EMC Shielding	V	V	V	V	V	V
Durability / Times	>5000 times	>5000 times	>5000 times	>3000 times	>3000 times	>2000 times
Salt Spray	>72H	>72H	>72H	>72H	>72H	>72H
Page #	P-4	P-12	-	-	-	-

\*Coming Soon \*\*Mated, By Applying O-ring And Potting Material

## Cross Reference

<b>Fischer's Series</b>	/	/	Core Series	/	/	Core Series P***
<b>Lemo's Series</b>	B-Series	K-Series	/	S-Series	E-Series	REDEL P
<b>ODU's Series</b>	L-Series***	K-Series***	F-Series***	/	/	MEDI-SNAP P***

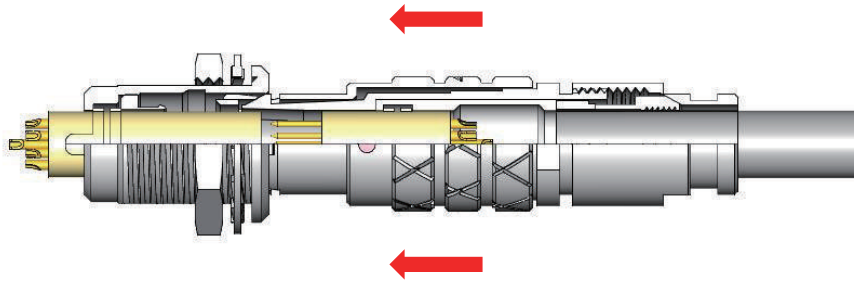
\*\*\* Not Intermateable

## Market

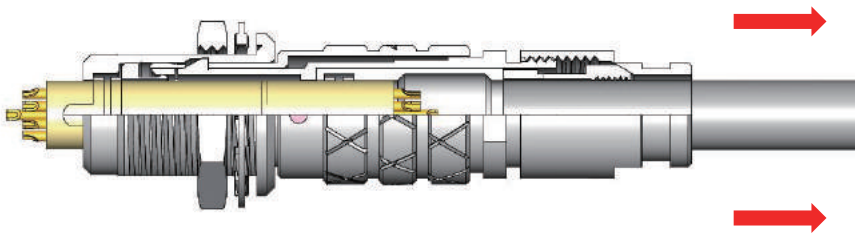
Non-Invasive Medical Electronic Equipment	✓	✓	✓	✓	✓	✓
Testing & Measurement Instrumentation	✓	✓	✓	✓	✓	✓
Industrial Control	✓	✓	✓	✓	✓	
Broadcast	✓	✓	✓	✓	✓	
Telecommunication System	✓	✓		✓	✓	✓
Outdoor & Rugged LED Lighting	✓	✓	✓			
Military's Communication System	✓	✓		✓	✓	✓
Robotics	✓	✓	✓			
Machines	✓	✓		✓	✓	

# Locking Principle

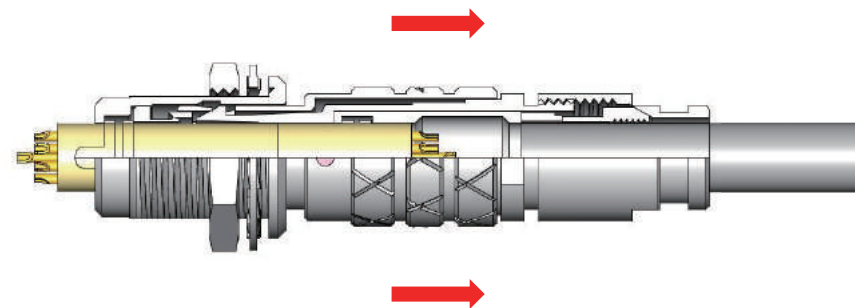
ALTW Push-pull locking system allows connectors to be mated quickly and securely.



Once mated, the connection is fully locked against pulling cable or back nut accidentally.



By pulling the sleeve, the locking latches will be released easily to unlock.



# Ordering Information

1
2
3
4
5
6
7
8
9
10
11
12
13
14
15

**Series Name / Sub-Series**  
 (FLB) LB-series  
 (FLK) LK-series  
 \* (FFC) FC-series  
 \* (FLS) LS-series  
 \* (FLE) LE-series  
 \* (FLP) LP-series \*Coming Soon

**Size (See Table At The Bottom)**  
 (A) 00  
 (B) 0  
 (C) 1  
 (D) 2  
 (E) 3

**Number of Contact**  
 02,03.....  
 EX.(02)=2 Contacts

**Connector Type**  
 > For Receptacle  
 (EG) 180° Female Panel with Hexagonal Nut (Rear Fasten)  
 (EC) 180° Female Panel with Hexagonal Nut & Slotted Nut (Both Side Fasten)  
 (EE) 180° Female Panel with Slotted Nut (Front Fasten)  
 \* (EN) 180° Female Panel with Earthing Tag & Hexagonal Nut (Rear Fasten)  
 \* (EH) 180° Female Panel with Hexagonal Nut (Rear Fasten)  
 \* (EX) 90° Female Panel for PCB Board with Hexagonal Nut and Slotted Nut \*Coming Soon

> For Overmolded with Cable & Field installable  
 (FG) 180° Male Field Installable  
 (FH) 90° Male Field Installable  
 \* (JG) 180° Male Field Installable Short Version  
 (PH) 180° Female Field Installable

**Connector (Housing) & Contact Gender**  
 (F) Female Connector, Female Contact  
 (M) Male Connector, Male Contact  
 (C) Hybrid Style

**Assembly Style**  
 (S) Solder Type  
 (P) 180° PCB Type  
 (R) 90° PCB Type  
 (C) Crimp Type

**Keying**  
 > LB-series  
 (G) 1 KEY 0°      \* (D) 2 KEY 135° / 95°      > LK-series  
 (A) 2 KEY 30°      \* (E) 2 KEY 145° / 120°      (G) 1 KEY 0°      (D) 2 KEY 95°  
 \* (B) 2 KEY 60° / 45°      \* (F) 2 KEY 155° / 145°      (A) 2 KEY 30°      (E) 2 KEY 120°  
 \* (C) 2 KEY 90° / 60°      \* (J) 2 KEY 45° / 37.5°      (B) 2 KEY 45°      (F) 2 KEY 145°  
 (C) 2 KEY 60° \*Upon Different Size

**Housing Material & Surface Plating**  
 (C) Copper Alloy / Chrome  
 (S) Copper Alloy / Black Chrome  
 (K) Copper Alloy / Black Chrome (Gray)  
 (R) Aluminum Alloy / Chrome

**Insulator Material**  
 (P) PPS  
 (K) PEEK

**More Information**  
 > For Receptacle  
**(001), (002), (003).....**  
 Without Cable :Different Versions

> For Field installable  
 (□)+(■) : Back Nut + Cable OD  
 EX. (S10) = Standard Back Nut + 1.0mm  
 (□) : Back Nut      (■) : Cable OD  
 (1) Standard Back Nut      EX.(01) = 2.2-3.2mm  
 (2) For Bend Relief      (See Table At The Bottom)

> For Overmolded with Cable  
 (□)+(■) : Cable Type + Cable Length  
 EX. (A01) = UL2464 Cable + 1M  
 (□) : Cable Type      (■) : Cable Length  
 (A) PVC      From 1M to 99M  
 (C) PU      EX. (01) = 1M  
 (E) Cat5E

**3**

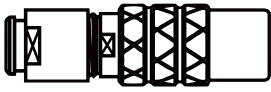
B Series			K Series	
Size	Panel Cut-Out	Thread Size	Panel Cut-Out	Thread Size
(A) 00	6.3mm	M7*0.5	/	/
(B) 0	8.2mm	M9*0.6	12.5mm	M14*1.0
(C) 1	10.5mm	M12*1.0	14.5mm	M16*1.0
(D) 2	13.5mm	M15*1.0	18.5mm	M20*1.0

**13 14 15**

Code	Cable OD Range	Code	Cable OD Range	Code	Cable OD Range	Code	Cable OD Range
(01)	2.2-3.2mm	(06)	3.8-4.0mm	(11)	5.2-6.2mm	(16)	7.2-8.2mm
(02)	2.7-3.2mm	(07)	4.2-5.2mm	(12)	5.3-5.5mm	(17)	7.5-7.7mm
(03)	2.8-3.0mm	(08)	4.4-4.6mm	(13)	5.8-6.1mm	(18)	8.5-8.7mm
(04)	2.8-3.0mm	(09)	4.5-4.7mm	(14)	6.2-7.2mm	(19)	8.2-9.2mm
(05)	3.4-3.6mm	(10)	4.8-5.1mm	(15)	6.5-6.7mm	(20)	/

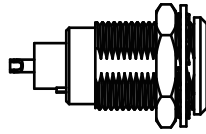
# B-Series Range Overview

∨ Field Installable



PH (P-8)

∨ Receptacle



EG (P-7)

∨ Field Installable

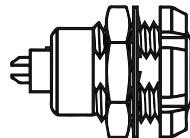


FG (P-9)

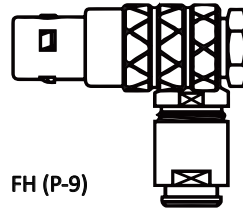
∨ Overmolded with Cable



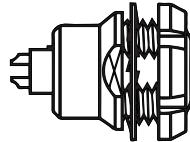
PM\*



EC (P-7)

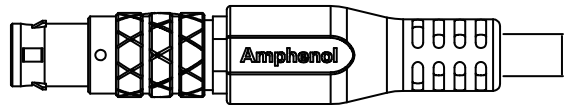


FH (P-9)

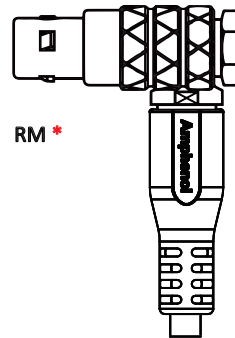


EE (P-8)

∨ Overmolded with Cable



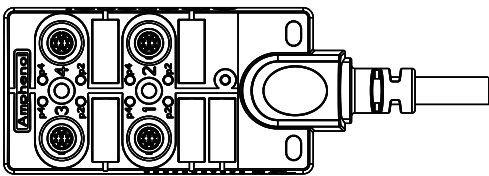
FM\*



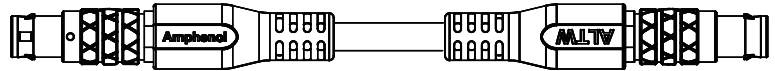
RM\*

\*Coming Soon

∨ Customization Upon Request



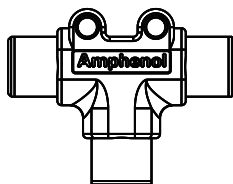
Distribution Box



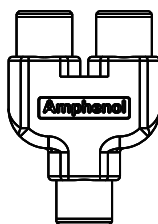
Double-ended Cable



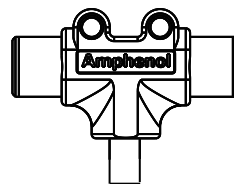
I-Adaptor



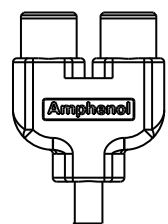
T-Adaptor



Y-Adaptor



T-Cable



Y-Cable

# Contact Configuration

Size (Code)	00 (A)						0 (B)					
Connector Type	Receptacle			Field Installable Overmolded With Cable			Receptacle			Field Installable/ Overmolded With Cable		
Pin #	EG	EC	EE	FG	FH	PH	EG	EC	EE	FG	FH	PH
2 Pin												
	3.5A / 300V			3.5A / 300V			10A / 400V			10A / 400V		
	P-7	P-7	P-8	P-9	P-9	P-8	P-7	P-7	P-8	P-9	P-9	P-8
3 Pin												
	3A / 250V			3A / 250V			8A / 400V			8A / 400V		
	P-7	P-7	P-8	P-9	P-9	P-8	P-7	P-7	P-8	P-9	P-9	P-8
4 Pin												
	2A / 200V			2A / 200V			7A / 300V			7A / 300V		
	P-7	P-7	P-8	P-9	P-9	P-8	P-7	P-7	P-8	P-9	P-9	P-8
5 Pin												
	6.5A / 250V			6.5A / 250V			6.5A / 250V			6.5A / 250V		
	P-7	P-7	P-8	P-9	P-9	P-8	P-7	P-7	P-8	P-9	P-9	P-8
6 Pin												
	2.5A / 250V			2.5A / 250V			2.5A / 250V			2.5A / 250V		
	P-7	P-7	P-8	P-9	P-9	P-8	P-7	P-7	P-8	P-9	P-9	P-8
7 Pin												
	2.5A / 300V			2.5A / 300V			2.5A / 300V			2.5A / 300V		
	P-7	P-7	P-8	P-9	P-9	P-8	P-7	P-7	P-8	P-9	P-9	P-8
8 Pin												
	2A / 150V			2A / 150V			2A / 150V			2A / 150V		
	P-7	P-7	P-8	P-9	P-9	P-8	P-7	P-7	P-8	P-9	P-9	P-8
9 Pin												
	2A / 150V			2A / 150V			2A / 150V			2A / 150V		
	P-7	P-7	P-8	P-9	P-9	P-8	P-7	P-7	P-8	P-9	P-9	P-8
10 Pin												
	P-7	P-7	P-8	P-9	P-9	P-8	P-7	P-7	P-8	P-9	P-9	P-8
12 Pin												
	P-7	P-7	P-8	P-9	P-9	P-8	P-7	P-7	P-8	P-9	P-9	P-8
14 Pin												
	P-7	P-7	P-8	P-9	P-9	P-8	P-7	P-7	P-8	P-9	P-9	P-8
16 Pin												
	P-7	P-7	P-8	P-9	P-9	P-8	P-7	P-7	P-8	P-9	P-9	P-8
18 Pin												
	P-7	P-7	P-8	P-9	P-9	P-8	P-7	P-7	P-8	P-9	P-9	P-8
19 Pin												
	P-7	P-7	P-8	P-9	P-9	P-8	P-7	P-7	P-8	P-9	P-9	P-8
26 Pin												
	P-7	P-7	P-8	P-9	P-9	P-8	P-7	P-7	P-8	P-9	P-9	P-8
30 Pin												
	P-7	P-7	P-8	P-9	P-9	P-8	P-7	P-7	P-8	P-9	P-9	P-8
32 Pin												
	P-7	P-7	P-8	P-9	P-9	P-8	P-7	P-7	P-8	P-9	P-9	P-8

●:Male ○:Female



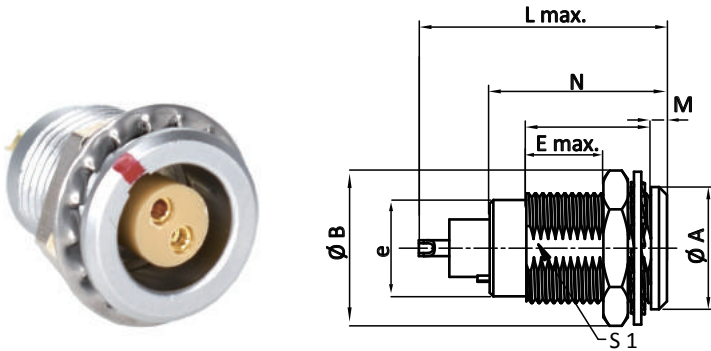
# Contact Configuration

Size (Code)	1 (C)						2 (D)					
Connector Type	Receptacle			Field Installable Overmolded With Cable			Receptacle			Field Installable/ Overmolded With Cable		
Pin#	EG	EC	EE	FG	FH	PH	EG	EC	EE	FG	FH	PH
2 Pin												
	15A / 500V			15A / 500V			25A / 700V			25A / 700V		
	P-7	P-7	P-8	P-9	P-9	P-8	P-7	P-7	P-8	P-9	P-9	P-8
3 Pin												
	12A / 400V			12A / 400V			17A / 650V			17A / 650V		
	P-7	P-7	P-8	P-9	P-9	P-8	P-7	P-7	P-8	P-9	P-9	P-8
4 Pin												
	10A / 400V			9A / 400V			15A / 600V			15A / 600V		
	P-7	P-7	P-8	P-9	P-9	P-8	P-7	P-7	P-8	P-9	P-9	P-8
5 Pin												
	9A / 400V			9A / 400V			14A / 550V			14A / 550V		
	P-7	P-7	P-8	P-9	P-9	P-8	P-7	P-7	P-8	P-9	P-9	P-8
6 Pin												
	7A / 350V			7A / 350V			12A / 550V			12A / 550V		
	P-7	P-7	P-8	P-9	P-9	P-8	P-7	P-7	P-8	P-9	P-9	P-8
7 Pin												
	7A / 300V			7A / 300V			11A / 550V			11A / 550V		
	P-7	P-7	P-8	P-9	P-9	P-8	P-7	P-7	P-8	P-9	P-9	P-8
8 Pin												
	5A / 250V			5A / 250V			10A / 500V			10A / 500V		
	P-7	P-7	P-8	P-9	P-9	P-8	P-7	P-7	P-8	P-9	P-9	P-8
9 Pin												
	2.5A / 250V			2.5A / 250V			8A / 450V			8A / 450V		
	P-7	P-7	P-8	P-9	P-9	P-8	P-7	P-7	P-8	P-9	P-9	P-8
10 Pin												
	2.5A / 250V			2.5A / 250V			8A / 450V			8A / 450V		
	P-7	P-7	P-8	P-9	P-9	P-8	P-7	P-7	P-8	P-9	P-9	P-8
12 Pin												
	7A / 400V			7A / 400V			7A / 400V			7A / 400V		
	P-7	P-7	P-8	P-9	P-9	P-8	P-7	P-7	P-8	P-9	P-9	P-8
14 Pin												
	2A / 200V			2A / 200V			6.5A / 350V			6.5A / 350V		
	P-7	P-7	P-8	P-9	P-9	P-8	P-7	P-7	P-8	P-9	P-9	P-8
16 Pin												
	1.5A / 150V			1.5A / 150V			6A / 300V			6A / 300V		
	P-7	P-7	P-8	P-9	P-9	P-8	P-7	P-7	P-8	P-9	P-9	P-8
18 Pin												
	5.5A / 250V			5.5A / 250V			5.5A / 250V			5.5A / 250V		
	P-7	P-7	P-8	P-9	P-9	P-8	P-7	P-7	P-8	P-9	P-9	P-8
19 Pin												
	5A / 250V			5A / 250V			5A / 250V			5A / 250V		
	P-7	P-7	P-8	P-9	P-9	P-8	P-7	P-7	P-8	P-9	P-9	P-8
26 Pin												
	2A / 230V			2A / 230V			2A / 230V			2A / 230V		
	P-7	P-7	P-8	P-9	P-9	P-8	P-7	P-7	P-8	P-9	P-9	P-8
30 Pin												
	1.5A / 200V			1.5A / 200V			1.5A / 200V			1.5A / 200V		
	P-7	P-7	P-8	P-9	P-9	P-8	P-7	P-7	P-8	P-9	P-9	P-8
32 Pin												
	1.5A / 200V			1.5A / 200V			1.5A / 200V			1.5A / 200V		
	P-7	P-7	P-8	P-9	P-9	P-8	P-7	P-7	P-8	P-9	P-9	P-8

●:Male ○:Female

# Connector Type

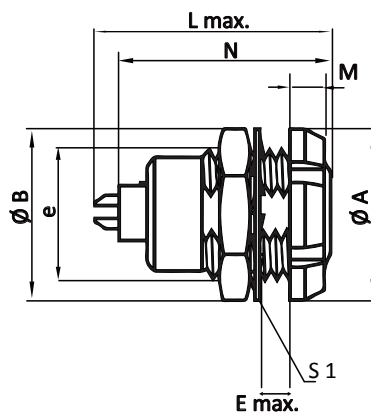
## EG 180° Female Panel with Hexagonal Nut (Rear Fasten)



- Part Number: FLB<sup>3</sup>-<sup>4</sup><sup>5</sup>EGFS-GCP-001
- Contacts <sup>4</sup> <sup>5</sup> : 02~32 Pin
- Gender: Female
- Assembly Style: Solder
- Keying: G
- Insulation: PPS
- Current Rating: 1.5~35A
- Working Voltage: 160~600V
- Waterproof Rating: IP50
- Mated With: FG (P-9)  
FH (P-9)  
FM\*  
RM\*

Dimensions (mm)								
<sup>3</sup> Size	A	B	e	L	N	M	E	S1
(A) 00	8.0	10.2	M7*0.5	15.5	13.7	1.0	6.0	6.3
(B) 0	10.0	12.7	M9*0.6	21.0	18.0	1.2	6.0	8.2
(C) 1	14.0	16.2	M12*1.0	25.0	20.0	1.5	7.0	10.5
(D) 2	18.0	19.2	M15*1.0	24.5	20.1	1.8	7.0	13.5

## EC 180° Female Panel with Hexagonal Nut & Slotted Nut (Both Side Fasten)

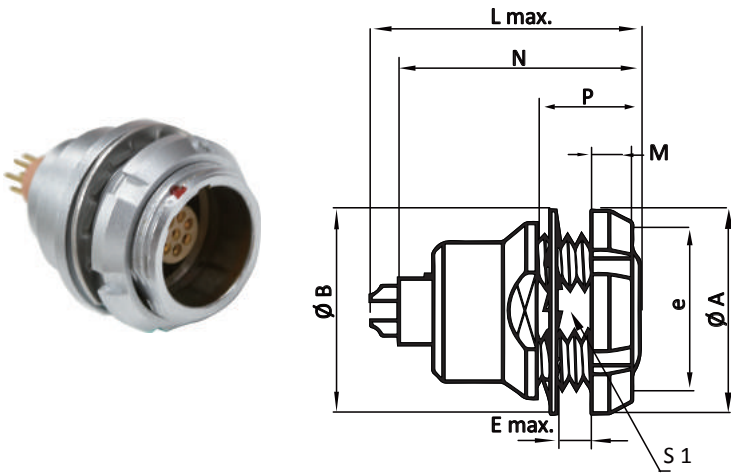


- Part Number: FLB<sup>3</sup>-<sup>4</sup><sup>5</sup>ECFS-GCP-001
- Contacts <sup>4</sup> <sup>5</sup> : 02~32 Pin
- Gender: Female
- Assembly Style: Solder
- Keying: G
- Insulation: PPS
- Current Rating: 1.5~35A
- Working Voltage: 160~600V
- Waterproof Rating: IP50
- Mated With: FG (P-9)  
FH (P-9)  
FM\*  
RM\*

Dimensions (mm)								
<sup>3</sup> Size	A	B	e	E	N	M	S1	
(A) 00	10.0	10.2	M7*0.5	4.3	13.7	2.5	6.3	
(B) 0	12.0	12.4	M9*0.6	5.5	16.4	2.5	8.2	
(C) 1	16.0	15.8	M12*1.0	6.0	19.8	3.5	10.5	
(D) 2	20.0	19.2	M15*1.0	6.5	21.8	3.5	13.5	

# Connector Type

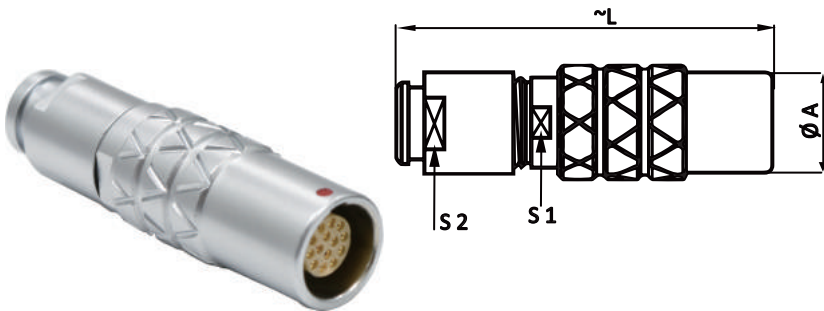
## EE 180° Female Panel with Slotted Nut (Front Fasten)



- Part Number: FLB **3**-**4****5**EEFS-GCP-001
- Contacts **4** **5** : 02~32 Pin
- Gender: Female
- Assembly Style: Solder
- Keying: G
- Insulation: PPS
- Current Rating: 1.5~35A
- Working Voltage: 160~600V
- Waterproof Rating: IP50
- Mated With: FG (P-9)  
FH (P-9)  
FM\*  
RM\*

Dimensions (mm)									
<b>3</b> Size	A	B	e	L	E	N	M	P	S1
(A) 00	10.0	9.5	M7*0.5	15.5	2.3	13.7	2.5	6.0	6.3
(B) 0	12.0	12.5	M9*0.6	20.7	2.4	19.1	2.5	6.3	8.2
(C) 1	16.0	16.0	M12*1.0	23.0	6.5	21.1	3.5	11.0	10.5
(D) 2	20.0	20.0	M15*1.0	26.7	3.0	24.6	3.5	9.0	13.5

## PH 180° Female Field Installable



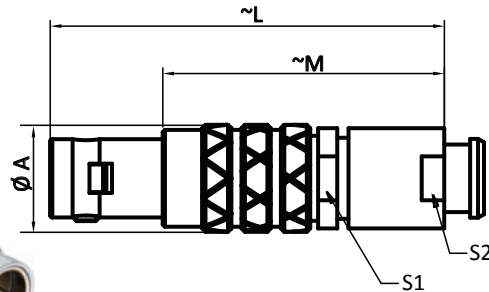
- Part Number: FLB **3**-**4****5**PHFS-GCP-2**14****15**
- Contacts **4** **5** : 02~32 Pin
- Gender: Female
- Assembly Style: Solder
- Keying: G
- Insulation: PPS
- Current Rating: 1.5~35A
- Working Voltage: 160~600V
- Waterproof Rating: IP50
- Cable OD **14****15**: 2.2~9.2mm
- Mated With: FG (P-9)  
FH (P-9)  
FM\*  
RM\*

Dimensions (mm)				
<b>3</b> Size	A	L	S1	S2
(A) 00	6.8	34.0	5.5	6.0
(B) 0	9.5	35.5	8.0	8.0
(C) 1	12.5	40.5	10.0	9.0
(D) 2	16.5	47.0	13.0	12.0

<b>14</b> <b>15</b> Code	Cable OD Range	<b>14</b> <b>15</b> Code	Cable OD Range
(01)	2.2-3.2mm	(14)	6.2-7.2mm
(02)	2.7-3.2mm	(16)	7.2-8.2mm
(04)	2.8-3.0mm	(19)	8.2-9.2mm
(07)	4.2-5.2mm		
(11)	5.2-6.2mm		

# Connector Type

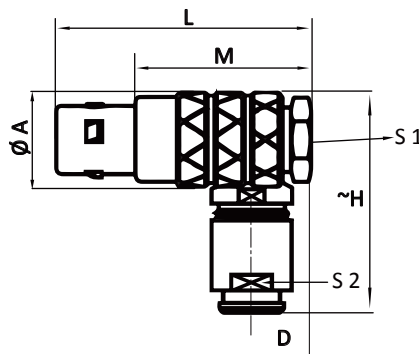
## FG 180° Male Field Installable



- Part Number: FLB **3**-**4****5**FGMS-GCP-2**14****15**
- Contacts **4** **5**: 02~32 Pin
- Gender: Male
- Assembly Style: Solder
- Keying: G
- Insulation: PPS
- Current Rating: 1.5~35A
- Working Voltage: 160~600V
- Waterproof Rating: IP50
- Cable OD **14****15**: 2.2~9.2mm
- Mated With: EG (P-7)  
EC (P-7)  
EE (P-8)  
PH (P-8)  
PM\*

Dimensions (mm)						<b>14</b> <b>15</b> Code	Cable OD Range	<b>14</b> <b>15</b> Code	Cable OD Range
<b>3</b> Size	A	L	M	S1	S2	(01)	2.2-3.2mm	(14)	6.2-7.2mm
(A) 00	6.4	28.7	20.7	5.5	6.0	(02)	2.7-3.2mm	(16)	7.2-8.2mm
(B) 0	9.5	35.0	25.0	8.0	8.0	(04)	2.8-3.0mm	(19)	8.2-9.2mm
(C) 1	12.0	43.0	32.0	10.0	9.0	(07)	4.2-5.2mm		
(D) 2	15.0	48.8	36.6	13.0	12.0	(11)	5.2-6.2mm		

## FH 90° Male Field Installable

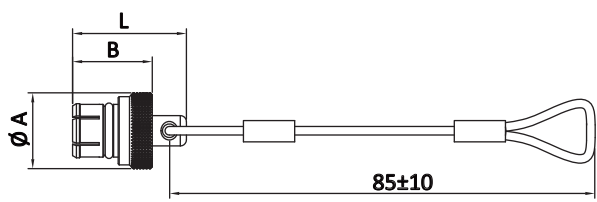


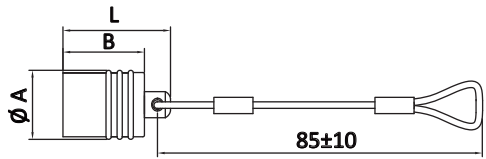
- Part Number: FLB **3**-**4****5**FHMS-GCP-2**14****15**
- Contacts **4** **5**: 02~32 Pin
- Gender: Male
- Assembly Style: Solder
- Keying: G
- Insulation: PPS
- Current Rating: 1.5~35A
- Working Voltage: 160~600V
- Waterproof Rating: IP50
- Cable OD **14****15**: 2.2~9.2mm
- Mated With: EG (P-7)  
EC (P-7)  
EE (P-8)  
PH (P-8)  
PM\*

Dimensions (mm)								<b>14</b> <b>15</b> Code	Cable OD Range	<b>14</b> <b>15</b> Code	Cable OD Range
<b>3</b> Size	A	D	H	L	M	S1	S2	(01)	2.2-3.2mm	(14)	6.2-7.2mm
(A) 00	11.0	6.5	23.5	26.5	16.5	10.0	7.0	(02)	2.7-3.2mm	(16)	7.2-8.2mm
(B) 0	13.5	8.0	30.5	36.0	25.0	11.0	9.0	(04)	2.8-3.0mm	(19)	8.2-9.2mm
(C) 1	16.5	9.0	40.0	37.7	25.6	14.0	12.0	(07)	4.2-5.2mm		
(D) 2	19.0	10.0	37.0	50.0	35.0	17.0	14.0	(11)	5.2-6.2mm		

# Accessories

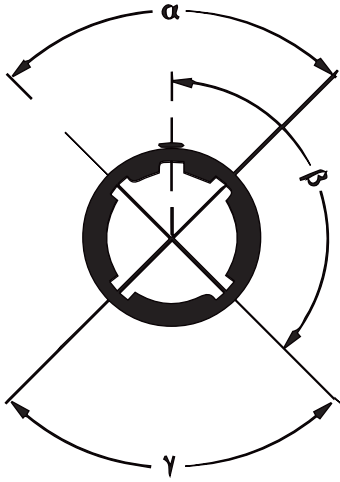
## Cap

With Steel Line 	Dimensions (mm)			Mating Pair (Gender)	P/N	IP Rating
	Size	A	B			
(B) 0	10.0	10.5	15.0	Female	CAP-DLBFQPE2	IP50
(C) 1	14.0	12.5	17.0	Female	CAP-DLBFQPE3	
(D) 2	18.0	14.0	20.0	Female	CAP-DLBFQPE4	

With Steel Line 	Dimensions (mm)			Mating Pair (Gender)	P/N	IP Rating
	Size	A	B			
(B) 0	10.6	12.5	16.5	Male	CAP-DLBMQCE2	IP50
(C) 1	12.0	13.8	18.3	Male	CAP-DLBMQCE3	
(D) 2	15.0	15.0	15.0	Male	CAP-DLBMQCE4	

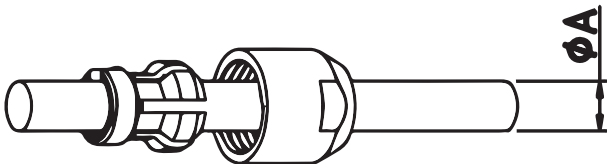
## Alignment Keying

Front view of receptacle



Code	Number of Keys	Angles	Series			Code	Number of Keys	Angles	Series	
			00	0B	1B				2B	3B
G	1	-	0°	0°	0°	G	1	-	0°	0°
A	2	$\alpha$	30°	30°	30°	A	2	$\alpha$	30°	30°
B	2		60°	60°	60°	B	2		45°	45°
C	2		-	90°	90°	C	2		60°	60°
D	2	$\beta$	-	135°	135°	D	2	$\beta$	95°	95°
E	2		-	145°	145°	E	2		120°	120°
F	2		-	155°	155°	F	2		145°	145°
J	2	$\gamma$	45°	45°	45°	J	2	$\gamma$	37.5°	37.5°

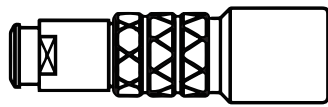
## Cable Collect



Series	Code	Collect $\phi$	Cable $\phi$	
		$\phi A$	max.	min.
00	20	2.2	2.2	1.4
	21	2.7	2.7	2.2
	22	3.5	3.5	2.7
0B	01	3.2	3.2	2.2
	04	4.2	4.2	3.2
	07	5.2	5.2	4.2
1B	02	3.2	3.2	2.7
	04	4.2	4.2	3.2
	07	5.2	5.2	4.2
	11	6.2	6.2	5.2
	14	7.2	7.2	6.2
2B	11	6.2	6.2	5.2
	14	7.2	7.2	6.2
	16	8.2	8.2	7.2
	19	9.2	9.2	8.2

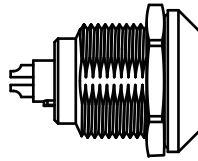
# K-Series Range Overview

↘ Field Installable



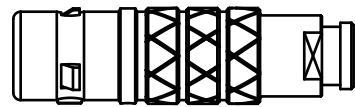
PH (P-16)

↘ Receptacle



EG (P-15)

↘ Field Installable

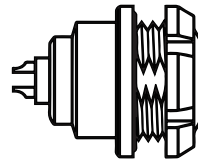


FG (P-16)

↘ Overmolded with Cable



PM \*



EE (P-15)

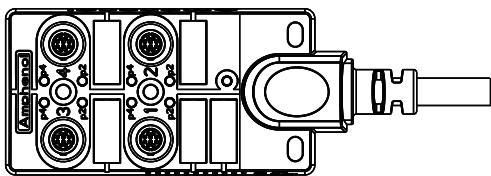
↘ Overmolded with Cable



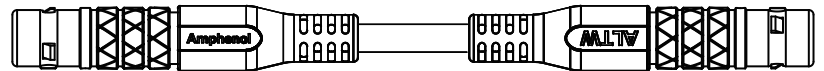
FM \*

\*Coming Soon

↘ Customization Upon Request



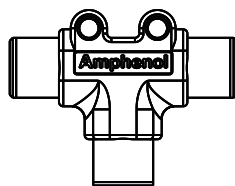
Distribution Box



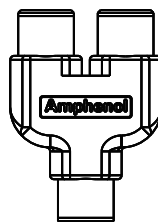
Double-ended Cable



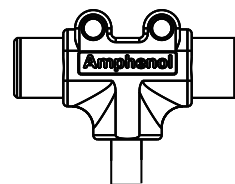
I-Adaptor



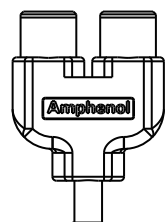
T-Adaptor



Y-Adaptor



T-Cable



Y-Cable

# Contact Configuration

Size (Code)	0 (B)						1 (C)					
Connector Type	Receptacle			Field Installable Overmolded With Cable			Receptacle			Field Installable/ Overmolded With Cable		
Pin #	EG	EC	EE	FG	FH	PH	EG	EC	EE	FG	FH	PH
2 Pin												
	10A / 400V			10A / 400V			15A / 500V			15A / 500V		
	P-15		P-15	P-16		P-16	P-15		P-15	P-16		P-16
3 Pin												
	8A / 400V			8A / 400V			12A / 400V			12A / 400V		
	P-15		P-15	P-16		P-16	P-15		P-15	P-16		P-16
4 Pin												
	7A / 300V			7A / 300V			10A / 400V			9A / 400V		
	P-15		P-15	P-16		P-16	P-15		P-15	P-16		P-16
5 Pin												
	6.5A / 250V			6.5A / 250V			9A / 400V			9A / 400V		
	P-15		P-15	P-16		P-16	P-15		P-15	P-16		P-16
6 Pin												
	2.5A / 250V			2.5A / 250V			7A / 350V			7A / 350V		
	P-15		P-15	P-16		P-16	P-15		P-15	P-16		P-16
7 Pin												
	2.5A / 300V			2.5A / 300V			7A / 300V			7A / 300V		
	P-15		P-15	P-16		P-16	P-15		P-15	P-16		P-16
8 Pin												
							5A / 250V			5A / 250V		
	P-15		P-15	P-16		P-16	P-15		P-15	P-16		P-16
9 Pin												
	2A / 150V			2A / 150V								
	P-15		P-15	P-16		P-16	P-15		P-15	P-16		P-16
10 Pin												
							2.5A / 250V			2.5A / 250V		
	P-15		P-15	P-16		P-16	P-15		P-15	P-16		P-16
12 Pin												
	P-15		P-15	P-16		P-16	P-15		P-15	P-16		P-16
14 Pin												
							2A / 200V			2A / 200V		
	P-15		P-15	P-16		P-16	P-15		P-15	P-16		P-16
16 Pin												
							1.5A / 150V			1.5A / 150V		
	P-15		P-15	P-16		P-16	P-15		P-15	P-16		P-16
18 Pin												
	P-15		P-15	P-16		P-16	P-15		P-15	P-16		P-16
19 Pin												
	P-15		P-15	P-16		P-16	P-15		P-15	P-16		P-16
26 Pin												
	P-15		P-15	P-16		P-16	P-15		P-15	P-16		P-16
30 Pin												
	P-15		P-15	P-16		P-16	P-15		P-15	P-16		P-16
32 Pin												
	P-15		P-15	P-16		P-16	P-15		P-15	P-16		P-16

●:Male ○:Female



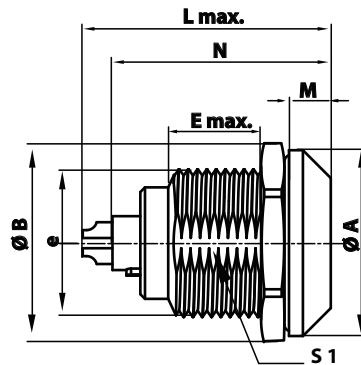
# Contact Configuration

Size (Code)	2 (D)					
Connector Type	Receptacle			Field Installable Overmolded With Cable		
Pin#	EG	EC	EE	FG	FH	PH
2 Pin						
	25A / 700V			25A / 700V		
	P-15		P-15	P-16		P-16
3 Pin						
	17A / 650V			17A / 650V		
	P-15		P-15	P-16		P-16
4 Pin						
	15A / 600V			15A / 600V		
	P-15		P-15	P-16		P-16
5 Pin						
	14A / 550V			14A / 550V		
	P-15		P-15	P-16		P-16
6 Pin						
	12A / 550V			12A / 550V		
	P-15		P-15	P-16		P-16
7 Pin						
	11A / 550V			11A / 550V		
	P-15		P-15	P-16		P-16
8 Pin						
	10A / 500V			10A / 500V		
	P-15		P-15	P-16		P-16
9 Pin						
10 Pin						
	8A / 450V			8A / 450V		
	P-15		P-15	P-16		P-16
12 Pin						
	7A / 400V			7A / 400V		
	P-15		P-15	P-16		P-16
14 Pin						
	6.5A / 350V			6.5A / 350V		
	P-15		P-15	P-16		P-16
16 Pin						
	6A / 300V			6A / 300V		
	P-15		P-15	P-16		P-16
18 Pin						
	5.5A / 250V			5.5A / 250V		
	P-15		P-15	P-16		P-16
19 Pin						
	5A / 250V			5A / 250V		
	P-15		P-15	P-16		P-16
26 Pin						
	2A / 230V			2A / 230V		
	P-15		P-15	P-16		P-16
30 Pin						
32 Pin						
	1.5A / 200V			1.5A / 200V		
	P-15		P-15	P-16		P-16

●:Male ○:Female

# Connector Type

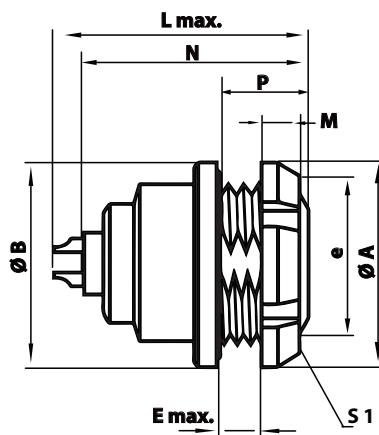
## EG 180° Female Panel with Hexagonal Nut (Rear Fasten)



- Part Number: FLK ③-④⑤ EGFS-GCP-001
- Contacts ④ ⑤ : 02~32 Pin
- Gender: Female
- Assembly Style: Solder
- Keying: G
- Insulation: PPS
- Current Rating: 1.5~35A
- Working Voltage: 160~600V
- Waterproof Rating: IPX8
- Mated With: FG (P-16)

Dimensions (mm)								
③ Size	A	B	e	L	N	M	E	S1
(B) 0	18.0	19.2	M14*1.0	21.9	18.9	4.0	6.0	12.5
(C) 1	20.0	21.5	M16*1.0	27.2	23.6	4.5	10.0	14.5
(D) 2	24.9	27.0	M20*1.0	28.9	24.3	5.0	8.0	18.5

## EE 180° Female Panel with Slotted Nut (Front Fasten)

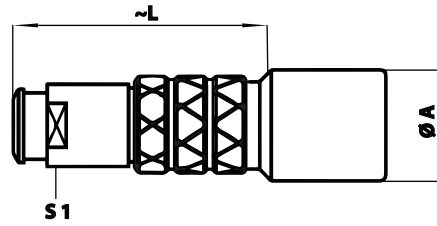


- Part Number: FLK ③-④⑤ EEFS-GCP-001
- Contacts ④ ⑤ : 02~32 Pin
- Gender: Female
- Assembly Style: Solder
- Keying: G
- Insulation: PPS
- Current Rating: 1.5~35A
- Working Voltage: 160~600V
- Waterproof Rating: IPX8
- Mated With: FG (P-16)

Dimensions (mm)								
③ Size	A	B	e	N	M	E	P	S1
(B) 0	18.0	18.0	M14*1.0	20.1	3.5	3.4	7.0	12.5
(C) 1	20.0	20.0	M16*1.0	25.1	3.5	6.2	10.0	14.5
(D) 2	25.0	25.0	M20*1.0	28.6	3.5	5.0	10.0	18.5

# Connector Type

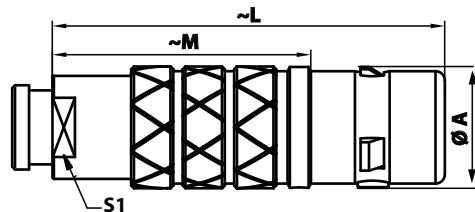
## PH 180° Female Field Installable



- Part Number: FLK **3**-**4****5**PHFS-GCP-2**14****15**
- Contacts **4****5**: 02~32 Pin
- Gender: Female
- Assembly Style: Solder
- Keying: G
- Insulation: PPS
- Current Rating: 1.5~35A
- Working Voltage: 160~600V
- Waterproof Rating: IPX8
- Cable OD **14****15**: 2.2~9.2mm
- Mated With: FG (P-16)

Dimensions (mm)				<b>14</b> <b>15</b> Code	Cable OD Range	<b>14</b> <b>15</b> Code	Cable OD Range	<b>14</b> <b>15</b> Code	Cable OD Range
<b>3</b> Size	A	L	S1	(03)	2.8-3.0mm	(09)	4.5-4.7mm	(15)	6.5-6.7mm
(B) 0	13.0	34.0	7.0	(05)	3.4-3.6mm	(10)	4.8-5.1mm	(17)	7.5-7.7mm
(C) 1	15.0	45.0	9.0	(06)	3.8-4.0mm	(12)	5.3-5.5mm	(18)	8.5-8.7mm
(D) 2	19.0	54.0	12.0	(08)	4.4-4.6mm	(13)	5.8-6.1mm		

## FG 180° Male Field Installable

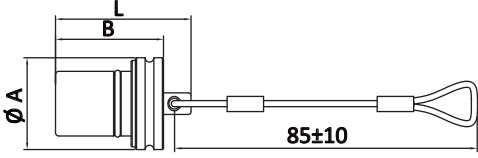


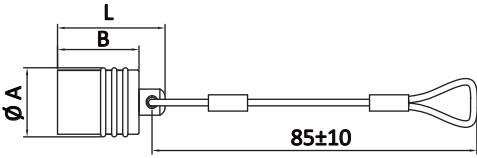
- Part Number: FLK **3**-**4****5**FGMS-GCP-2**14****15**
- Contacts **4****5**: 02~32 Pin
- Gender: Male
- Assembly Style: Solder
- Keying: G
- Insulation: PPS
- Current Rating: 1.5~35A
- Working Voltage: 160~600V
- Waterproof Rating: IPX8
- Cable OD **14****15**: 2.2~9.2mm
- Mated With: EG (P-15)  
EE (P-15)  
PH (P-16)

Dimensions (mm)					<b>14</b> <b>15</b> Code	Cable OD Range	<b>14</b> <b>15</b> Code	Cable OD Range	<b>14</b> <b>15</b> Code	Cable OD Range
<b>3</b> Size	A	L	M	S1	(03)	2.8-3.0mm	(09)	4.5-4.7mm	(15)	6.5-6.7mm
(B) 0	10.9	34.6	23.0	8.0	(05)	3.4-3.6mm	(10)	4.8-5.1mm	(17)	7.5-7.7mm
(C) 1	13.0	42.9	28.6	9.0	(06)	3.8-4.0mm	(12)	5.3-5.5mm	(18)	8.5-8.7mm
(D) 2	16.0	52.0	36.0	12.0	(08)	4.4-4.6mm	(13)	5.8-6.1mm		

## Accessories

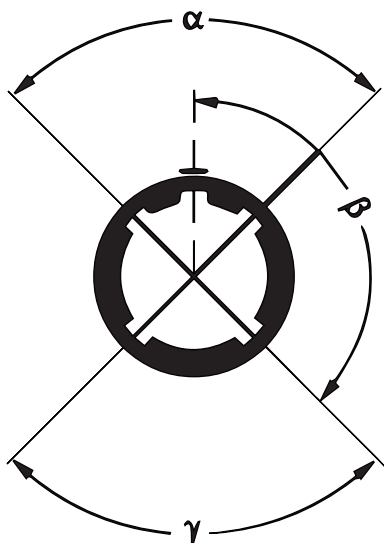
### ↳ Cap

With Steel Line	Dimensions (mm)				Mating Pair (Gender)	P/N	IP Rating
	Size	A	B	L			
	(B) 0	15.0	15.0	20.0	Female	CAP-WLKFQPE2	IPX8
	(C) 1	17.0	20.0	25.1	Female	CAP-WLKFQPE3	
	(D) 2	20.5	24.0	30.1	Female	CAP-WLKFQPE4	

With Steel Line	Dimensions (mm)				Mating Pair (Gender)	P/N	IP Rating
	Size	A	B	L			
	(B) 0	14.0	12.5	18.5	Male	CAP-WLKMQCE2	IPX8
	(C) 1	16.0	15.5	20.5	Male	CAP-WLKMQCE3	
	(D) 2	19.5	17.5	22.5	Male	CAP-WLKMQCE4	

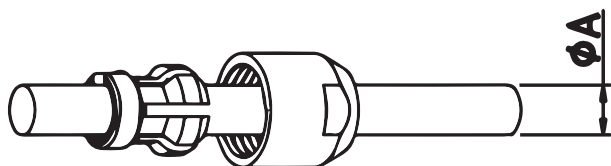
## Alignment Keying

Front view of receptacle



Code	Number of Keys	Angles	Series			
			0K	1K	2K	3K
G	1	-	0°	0°	0°	0°
A	2	α	30°	30°	30°	30°
B	2		45°	45°	45°	45°
C	2		60°	60°	60°	60°
D	2	γ	95°	95°	95°	95°
E	2	β	120°	120°	120°	120°
F	2		145°	145°	145°	145°

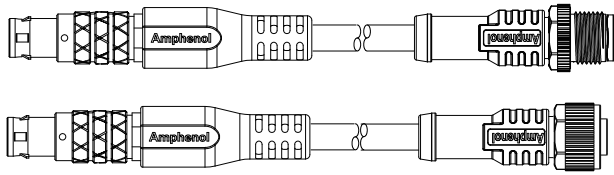
## Cable Collect



Series	Code	Collect $\phi$	Cable $\phi$	
		$\phi A$	max.	min.
0K	03	3.2	3.0	2.8
	05	4.2	3.6	3.4
	06	4.2	4.0	3.8
	09	5.2	4.7	4.5
1K	02	3.2	3.2	2.7
	04	4.2	4.2	3.2
	07	5.2	5.2	4.2
	11	6.2	6.2	5.2
	14	7.2	7.2	6.2
2K	11	6.2	6.2	5.2
	14	7.2	7.2	6.2
	16	8.2	8.2	7.2
	19	9.2	9.2	8.2

# Cable Assembly Options

## ↳ FLO to M12

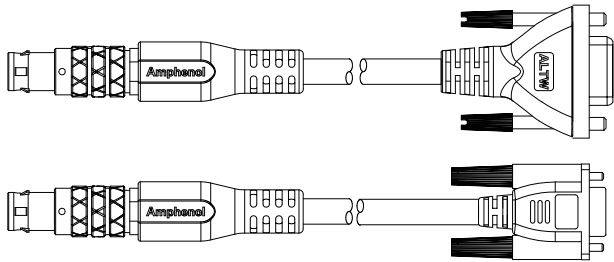


Conn. 1: LB-series  
LK-series

Conn. 2

	3 Pin	4 Pin	5 Pin	8 Pin
A Code	✓	✓	✓	✓
B Code	✓	✓	✓	✓
D Code	✓	✓		
S Code		✓		
T Code		✓		
X Code				✓

## ↳ FLO to D-Sub

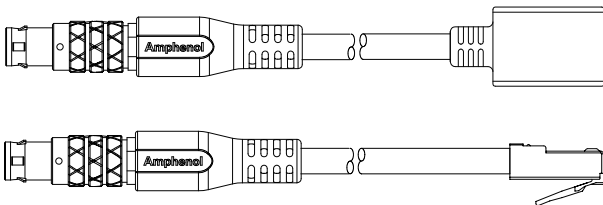


Conn. 1: LB-series  
LK-series

Conn. 2: Available in  
Waterproof & Non-waterproof

	9 Pin	15 Pin	26 Pin
Standard D-Sub	✓	✓	
High Density D-Sub		✓	✓

## ↳ FLO to RJ45

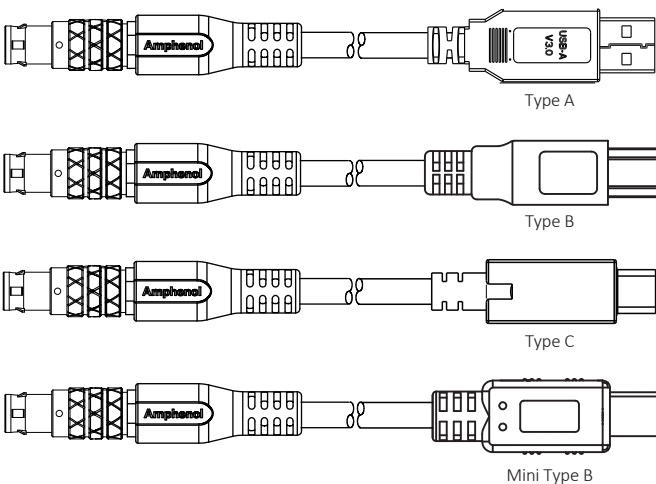


Conn. 1: LB-series  
LK-series

Conn. 2: Available in  
Waterproof & Non-waterproof

	Cat. 5e	Cat. 6A
RJ45	✓	✓

## ↳ FLO to USB



Conn. 1: LB-series  
LK-series

Conn. 2: Available in  
Waterproof & Non-waterproof

	2.0	3.0	3.1
Type A	✓	✓	
Type B	✓		
Type C	✓	✓	✓
Mini Type B	✓		

**Amphenol LTW Technology Co., Ltd.**

5F-3, No.51, Sec.4, Zhongyang Rd., Tucheng Dist., New  
Taipei City 236, Taiwan  
Telephone: +886-2-77416888 Fax: +886-2-77416999  
www.amphenoltw.com

**Kunshan Factory**

No. 62, DaTong Road, Development Zone, Kunshan City,  
JiangSu Province, 215333 China  
Telephone: +86-512-5761-0501  
Fax: : +86-512-5761-0515

**For further information, please contact :**

Sales & Marketing Department | Email : sales@ltw-tech.com