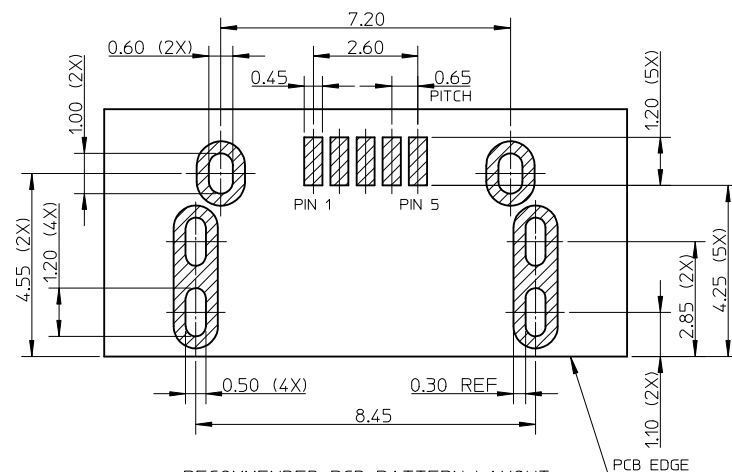
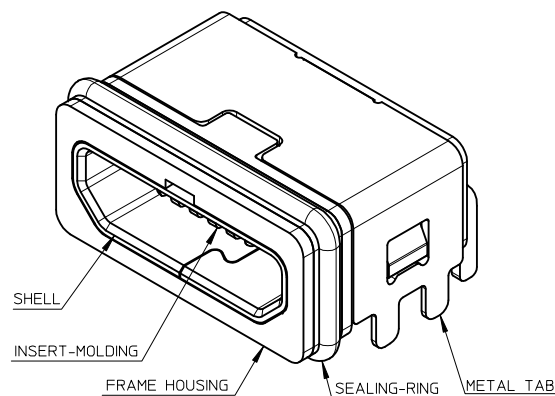
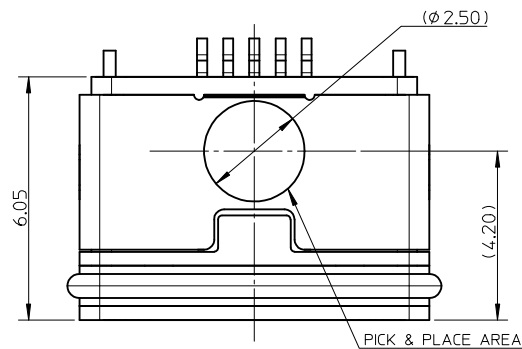
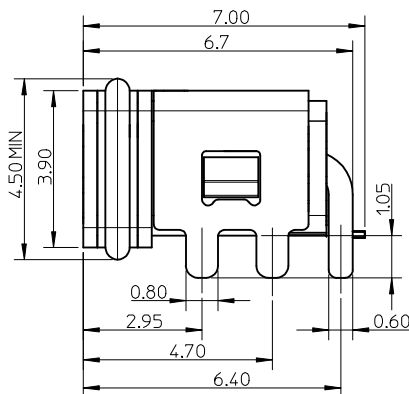
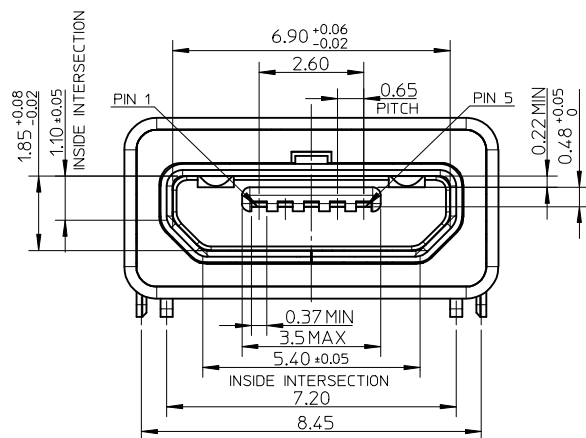


10 9 8 7 6 5 4 3 2 1

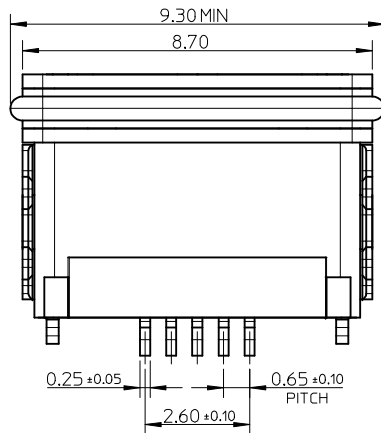
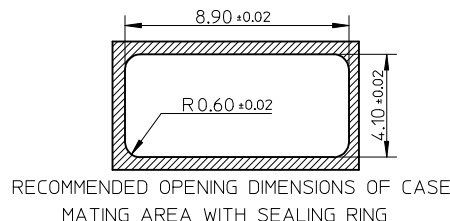


RECOMMENDED PCB PATTERN LAYOUT
GENERAL TOLERANCE: ±0.05



NOTES:

- MATERIAL:
HOUSING: LCP, BLACK, UL94V-0;
TERMINAL: COPPER ALLOY, THICKNESS: 0.15mm;
SHELL: STAINLESS STEEL, THICKNESS: 0.30mm;
METAL TAB: STAINLESS STEEL, THICKNESS: 0.25mm;
SEALING RING: SILICON RUBBER.
- PLATING:
TERMINAL: CONTACT AREA: GOLD FLASH OVER MINIMUM 0.75MICRON Pd/Ni;
SOLDER TAIL AREA: GOLD FLASH, UNDER PLATING: NICKEL 2.0MICRON MINIMUM.
SHELL / METAL TAB: 2.0MICRON MINIMUM MATTE TIN OVER
1.27MICRON MINIMUM NICKEL UNDER PLATING.
- TAIL COPLANARITY 0.08mm MAXIMUM.
- PRODUCT SPECIFICATION: PK-105296-002.
- PACKAGE SPECIFICATION: PS-105296-001.
- PRODUCTS MEET IP67 TEST REQUEST.
- COMPLIANT TO RoHS DIRECTIVE 2011/65/EU AND ELV 2000/53/EC.



NEW RELEASE EC NO: SH2016-0009 DRWN: XQZHANG 2015/04/23 CHKD: XQZHANG 2015/07/07 APPR: AYIN 2015/07/14	QUALITY SYMBOLS ▽ _F =0 ▽ _F =0 ▽ _F =0	GENERAL TOLERANCES (UNLESS SPECIFIED)		DIMENSION STYLE MM ONLY		SCALE 1:1	DESIGN UNITS METRIC	THIRD ANGLE PROJECTION	
			mm	INCH	DRAWN BY XQZHANG	DATE 2015/02/12	SALES DRAWING FOR USB, MICRO-B WATERPROOF TYPE molex		
		4 PLACES	± ---	± ---	CHECKED BY XQZHANG	DATE 2015/02/12			
		3 PLACES	± ---	± ---	APPROVED BY AYIN	DATE 2015/07/14			
2 PLACES	± 0.15	± ---	MATERIAL NO. 105443-1101	DOCUMENT NO. SD-105443-110					
			1 PLACE	± 0.25	± ---	SHEET NO. 1 OF 1			
			0 PLACE	± ---	± ---	THIS DRAWING CONTAINS INFORMATION THAT IS PROPRIETARY TO MOLEX INCORPORATED AND SHOULD NOT BE USED WITHOUT WRITTEN PERMISSION			
			ANGULAR ± 3 °		DRAFT WHERE APPLICABLE MUST REMAIN WITHIN DIMENSIONS				

9 8 7 6 5 4 3 2 1