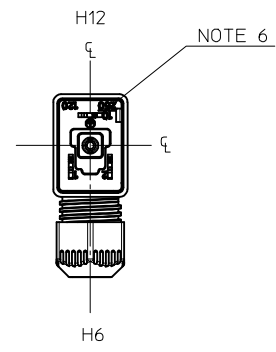
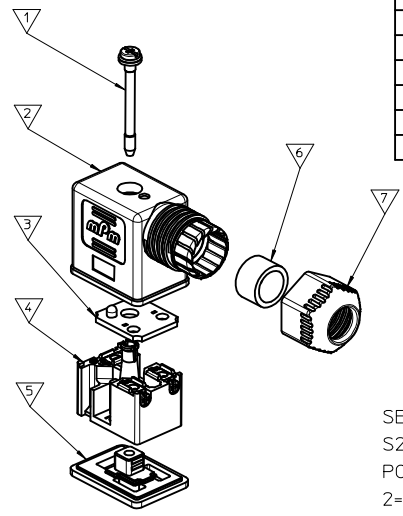
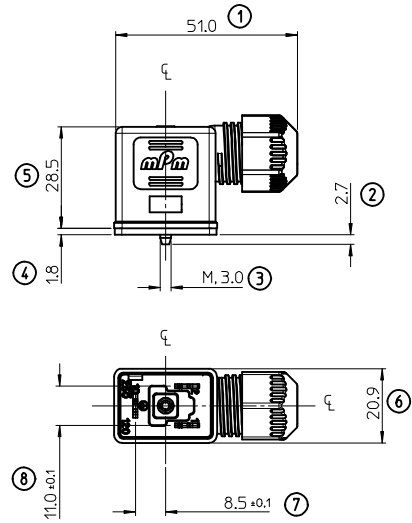


ITEM	DESCRIPTION
1	31mm M3 SCREW WITH GASKET
2	TYPE B COVER
3	PCB
4	TYPE B IND INSERT
5	TYPE B GASKET
6	GROMMET
7	EXTERNAL NUT

S22200NC410R****



SERIES _____
 S22= EXTERNAL THREAD FORM B INDUSTRIAL
 POLES _____
 2= 2 POLE
 THREAD _____
 00 = EXTERNAL THREAD
 MATERIAL AND HOUSING COLOR _____
 G= PA6 GRAY, N= PA6 BLACK, W= PA6 BLACK V0,
 B= WHITE, T= TRANSPARENT
 CIRCUIT _____
 SEE DETAILS IN CATALOGUE
 VOLTAGE _____
 SEE DETAILS IN CATALOGUE
 GROUND POSITION _____
 0= UNMOUNTED, 2= H12 & 6 =H6
 SCREW AND GASKET _____
 R= INTEGRATED NBR GASKET AND IP67 SCREW
 S= INTEGRATED SILICON GASKET AND IP67 SCREW
 NON STANDARD PACKAGING _____
 CN= BULK PACK UN-MOUNTED
 SN= BULK PACK MOUNTED
 67= NEUTRAL PACKAGING
 ADDITIONAL CODES _____
 SA= UL AGENCY APPROVED

NOTES:

- FOR SPECIFIC PART NUMBERS PLEASE CONTACT SALES OR CONSULT THE INTELLIGENT PART NUMBERS IN THE TABLE ATTACHED
- PACKAGING SPECIFICATION: PLEASE SEE PK-121201-001
- PRODUCT SPECIFICATION: PLEASE SEE PS-121201-001
- CABLE SIZES 4 - 9 MM DIAMETER
- TIGHTENING TORQUES: SEE PS-121201-001
- GROUND POSITION SHOWN H12

LAST INSPECTION NUMBER 8

ADDED P/N EC NO: IPG2013-0717 DRWN:J5HEA 2012/11/16 CHKD:SMCGREY 2012/11/21 APPR:STGRJFIN 2012/11/29	QUALITY SYMBOLS ▽=0 ▽=0	GENERAL TOLERANCES (UNLESS SPECIFIED)		DIMENSION STYLE MM ONLY		SCALE 1:1	DESIGN UNITS METRIC	THIRD ANGLE PROJECTION
		4 PLACES ± --- ± --- 3 PLACES ± --- ± --- 2 PLACES ± 0.1 ± --- 1 PLACE ± 0.2 ± --- ANGULAR ± ---°	mm INCH	DRAWN BY DMAHER_WEU	DATE 2010/03/15	TITLE EXTERNAL THREAD S22 SERIES 121208		MOLEX INCORPORATED
G REV	DESCRIPTION	DRAFT WHERE APPLICABLE MUST REMAIN WITHIN DIMENSIONS		APPROVED BY JWALLACE	DATE 2010/03/24	MATERIAL NO. SEE TABLES	DOCUMENT NO. SD-121208-001	SHEET NO. 1 OF 6
		THIS DRAWING CONTAINS INFORMATION THAT IS PROPRIETARY TO MOLEX INCORPORATED AND SHOULD NOT BE USED WITHOUT WRITTEN PERMISSION						

Part No	MPM Part No	DESCRIPTION	CIRCUIT	VOLTAGE	INDICATOR
1212080034	S22200TA010R	TYPE B IND TRANSPARENT	A0	12v	LAMP/NEON
1212080035	S22200TA020R	TYPE B IND TRANSPARENT	A0	24v	LAMP/NEON
1212080036	S22200TA030R	TYPE B IND TRANSPARENT	A0	48v	LAMP/NEON
1212080037	S22200TA040R	TYPE B IND TRANSPARENT	A0	115v	LAMP/NEON
1212080038	S22200TA050R	TYPE B IND TRANSPARENT	A0	230v	LAMP/NEON

Part No	MPM Part No	DESCRIPTION	CIRCUIT	VOLTAGE	INDICATOR
1212080039	S22200TA110R	TYPE B IND TRANSPARENT	A1	12v	RED LED
1212080040	S22200TA120R	TYPE B IND TRANSPARENT	A1	24v	RED LED
1212080041	S22200TA130R	TYPE B IND TRANSPARENT	A1	48v	RED LED
1212080042	S22200TA140R	TYPE B IND TRANSPARENT	A1	115v	RED LED
1212080043	S22200TA150R	TYPE B IND TRANSPARENT	A1	230v	RED LED
1212080044	S22200TA1A0R	TYPE B IND TRANSPARENT	A1	12v	GREEN LED
1212080045	S22200TA1B0R	TYPE B IND TRANSPARENT	A1	24v	GREEN LED
1212080046	S22200TA1C0R	TYPE B IND TRANSPARENT	A1	48v	GREEN LED
1212080047	S22200TA1D0R	TYPE B IND TRANSPARENT	A1	115v	GREEN LED
1212080048	S22200TA1E0R	TYPE B IND TRANSPARENT	A1	230v	GREEN LED
1212080049	S22200TA1G0R	TYPE B IND TRANSPARENT	A1	12v	AMBER LED
1212080050	S22200TA1H0R	TYPE B IND TRANSPARENT	A1	24v	AMBER LED
1212080051	S22200TA1K0R	TYPE B IND TRANSPARENT	A1	48v	AMBER LED
1212080052	S22200TA1L0R	TYPE B IND TRANSPARENT	A1	115v	AMBER LED
1212080053	S22200TA1M0R	TYPE B IND TRANSPARENT	A1	230v	AMBER LED
1212080275	S22200TA1H0RSA	TYPE B IND TRANSPARENT UL LISTED	A1	24v	AMBER LED

Part No	MPM Part No	DESCRIPTION	CIRCUIT	VOLTAGE	INDICATOR
1212080054	S22200TC310R	TYPE B IND TRANSPARENT	C3	12v	RED LED
1212080055	S22200TC320R	TYPE B IND TRANSPARENT	C3	24v	RED LED
1212080056	S22200TC330R	TYPE B IND TRANSPARENT	C3	48v	RED LED
1212080057	S22200TC340R	TYPE B IND TRANSPARENT	C3	115v	RED LED
1212080058	S22200TC350R	TYPE B IND TRANSPARENT	C3	230v	RED LED
1212080059	S22200TC3A0R	TYPE B IND TRANSPARENT	C3	12v	GREEN LED
1212080060	S22200TC3B0R	TYPE B IND TRANSPARENT	C3	24v	GREEN LED
1212080061	S22200TC3C0R	TYPE B IND TRANSPARENT	C3	48v	GREEN LED
1212080062	S22200TC3D0R	TYPE B IND TRANSPARENT	C3	115v	GREEN LED
1212080063	S22200TC3E0R	TYPE B IND TRANSPARENT	C3	230v	GREEN LED
1212080064	S22200TC3G0R	TYPE B IND TRANSPARENT	C3	12v	AMBER LED
1212080065	S22200TC3H0R	TYPE B IND TRANSPARENT	C3	24v	AMBER LED
1212080066	S22200TC3K0R	TYPE B IND TRANSPARENT	C3	48v	AMBER LED
1212080067	S22200TC3L0R	TYPE B IND TRANSPARENT	C3	115v	AMBER LED
1212080068	S22200TC3M0R	TYPE B IND TRANSPARENT	C3	230v	AMBER LED

Part No	MPM Part No	DESCRIPTION	CIRCUIT	VOLTAGE	INDICATOR
1212080069	S22200TC410R	TYPE B IND TRANSPARENT	C4	12v	RED LED
1212080070	S22200TC420R	TYPE B IND TRANSPARENT	C4	24v	RED LED
1212080071	S22200TC430R	TYPE B IND TRANSPARENT	C4	48v	RED LED
1212080072	S22200TC440R	TYPE B IND TRANSPARENT	C4	115v	RED LED
1212080073	S22200TC450R	TYPE B IND TRANSPARENT	C4	230v	RED LED
1212080074	S22200TC4A0R	TYPE B IND TRANSPARENT	C4	12v	GREEN LED
1212080075	S22200TC4B0R	TYPE B IND TRANSPARENT	C4	24v	GREEN LED
1212080076	S22200TC4C0R	TYPE B IND TRANSPARENT	C4	48v	GREEN LED
1212080077	S22200TC4D0R	TYPE B IND TRANSPARENT	C4	115v	GREEN LED
1212080078	S22200TC4E0R	TYPE B IND TRANSPARENT	C4	230v	GREEN LED
1212080079	S22200TC4G0R	TYPE B IND TRANSPARENT	C4	12v	AMBER LED
1212080080	S22200TC4H0R	TYPE B IND TRANSPARENT	C4	24v	AMBER LED
1212080081	S22200TC4K0R	TYPE B IND TRANSPARENT	C4	48v	AMBER LED
1212080082	S22200TC4L0R	TYPE B IND TRANSPARENT	C4	115v	AMBER LED
1212080083	S22200TC4M0R	TYPE B IND TRANSPARENT	C4	230v	AMBER LED

Part No	MPM Part No	DESCRIPTION	CIRCUIT	VOLTAGE	INDICATOR
1212080084	S22200TD010R	TYPE B IND TRANSPARENT	D0	12v	VDR
1212080085	S22200TD020R	TYPE B IND TRANSPARENT	D0	24v	VDR
1212080086	S22200TD030R	TYPE B IND TRANSPARENT	D0	48v	VDR
1212080087	S22200TD040R	TYPE B IND TRANSPARENT	D0	115v	VDR
1212080088	S22200TD050R	TYPE B IND TRANSPARENT	D0	230v	VDR

Part No	MPM Part No	DESCRIPTION	CIRCUIT	VOLTAGE	INDICATOR
1212080093	S22200NE050R	TYPE B IND BLACK	E0	230v	DIODE

Part No	MPM Part No	DESCRIPTION - BULK PACKED
1212080001	S22200BC432RSN	48V RED LED NBR GASKET

SEE SHEET 1 EC NO: IPG2013-0717 DRAWN BY: DFWAN/05HEA CHK'D: SMC/GREVEY APPR: STGR/FFIN 2012/11/16 2012/11/21 2012/11/29	QUALITY SYMBOLS ▽=0 ▽=0	GENERAL TOLERANCES (UNLESS SPECIFIED) <table border="1"> <tr> <th></th> <th>mm</th> <th>INCH</th> </tr> <tr> <td>4 PLACES</td> <td>± .005</td> <td>± .0004</td> </tr> <tr> <td>3 PLACES</td> <td>± .008</td> <td>± .0003</td> </tr> <tr> <td>2 PLACES</td> <td>± .015</td> <td>± .0002</td> </tr> <tr> <td>1 PLACE</td> <td>± .030</td> <td>± .0001</td> </tr> <tr> <td colspan="3">ANGULAR ± .005°</td> </tr> </table>		mm	INCH	4 PLACES	± .005	± .0004	3 PLACES	± .008	± .0003	2 PLACES	± .015	± .0002	1 PLACE	± .030	± .0001	ANGULAR ± .005°			DIMENSION STYLE MM ONLY	SCALE 1:1	DESIGN UNITS METRIC	THIRD ANGLE PROJECTION
		mm	INCH																					
	4 PLACES	± .005	± .0004																					
	3 PLACES	± .008	± .0003																					
2 PLACES	± .015	± .0002																						
1 PLACE	± .030	± .0001																						
ANGULAR ± .005°																								
DRAWN BY: DMAHER_WEU DATE: 2010/03/15 CHECKED BY: _____ DATE: _____		TITLE EXTERNAL THREAD S22 SERIES 121208		MOLEX INCORPORATED																				
APPROVED BY: JWALLACE DATE: 2010/03/24		MATERIAL NO. SEE TABLES		DOCUMENT NO. SD-121208-001		SHEET NO. 2 OF 6																		
DRAFT WHERE APPLICABLE MUST REMAIN WITHIN DIMENSIONS		THIS DRAWING CONTAINS INFORMATION THAT IS PROPRIETARY TO MOLEX INCORPORATED AND SHOULD NOT BE USED WITHOUT WRITTEN PERMISSION																						

Part No	MPM Part No	DESCRIPTION	CIRCUIT	VOLTAGE	INDICATOR
1212080094	S22200TS010R	TYPE B IND TRANSPARENT	S0	12v	RED LED
1212080095	S22200TS020R	TYPE B IND TRANSPARENT	S0	24v	RED LED
1212080096	S22200TS030R	TYPE B IND TRANSPARENT	S0	48v	RED LED
1212080097	S22200TS040R	TYPE B IND TRANSPARENT	S0	115v	RED LED
1212080098	S22200TS050R	TYPE B IND TRANSPARENT	S0	230v	RED LED
1212080099	S22200TSA0R	TYPE B IND TRANSPARENT	S0	12v	GREEN LED
1212080100	S22200TS0B0R	TYPE B IND TRANSPARENT	S0	24v	GREEN LED
1212080101	S22200TSC0R	TYPE B IND TRANSPARENT	S0	48v	GREEN LED
1212080102	S22200TSD0R	TYPE B IND TRANSPARENT	S0	115v	GREEN LED
1212080103	S22200TSE0R	TYPE B IND TRANSPARENT	S0	230v	GREEN LED
1212080104	S22200TS0G0R	TYPE B IND TRANSPARENT	S0	12v	AMBER LED
1212080105	S22200TSH0R	TYPE B IND TRANSPARENT	S0	24v	AMBER LED
1212080106	S22200TS0K0R	TYPE B IND TRANSPARENT	S0	48v	AMBER LED
1212080107	S22200TSL0R	TYPE B IND TRANSPARENT	S0	115v	AMBER LED
1212080108	S22200TSM0R	TYPE B IND TRANSPARENT	S0	230v	AMBER LED

Part No	MPM Part No	DESCRIPTION	CIRCUIT	VOLTAGE	INDICATOR
1212080119	S22200TA110RCN	TYPE B IND TRANSPARENT	A1	12v	RED LED
1212080120	S22200TA120RCN	TYPE B IND TRANSPARENT	A1	24v	RED LED
1212080121	S22200TA130RCN	TYPE B IND TRANSPARENT	A1	48v	RED LED
1212080122	S22200TA140RCN	TYPE B IND TRANSPARENT	A1	115v	RED LED
1212080123	S22200TA150RCN	TYPE B IND TRANSPARENT	A1	230v	RED LED
1212080124	S22200TA1A0RCN	TYPE B IND TRANSPARENT	A1	12v	GREEN LED
1212080125	S22200TA1B0RCN	TYPE B IND TRANSPARENT	A1	24v	GREEN LED
1212080126	S22200TA1C0RCN	TYPE B IND TRANSPARENT	A1	48v	GREEN LED
1212080127	S22200TA1D0RCN	TYPE B IND TRANSPARENT	A1	115v	GREEN LED
1212080128	S22200TA1E0RCN	TYPE B IND TRANSPARENT	A1	230v	GREEN LED
1212080129	S22200TA1F0RCN	TYPE B IND TRANSPARENT	A1	12v	AMBER LED
1212080130	S22200TA1H0RCN	TYPE B IND TRANSPARENT	A1	24v	AMBER LED
1212080131	S22200TA1K0RCN	TYPE B IND TRANSPARENT	A1	48v	AMBER LED
1212080132	S22200TA1L0RCN	TYPE B IND TRANSPARENT	A1	115v	AMBER LED
1212080133	S22200TA1M0RCN	TYPE B IND TRANSPARENT	A1	230v	AMBER LED

Part No	MPM Part No	DESCRIPTION	CIRCUIT	VOLTAGE	INDICATOR
1212080109	S22200NS110R	TYPE B IND BLACK	S1	12v	NO LED
1212080110	S22200NS120R	TYPE B IND BLACK	S1	24v	NO LED
1212080111	S22200NS130R	TYPE B IND BLACK	S1	48v	NO LED
1212080112	S22200NS140R	TYPE B IND BLACK	S1	115v	NO LED
1212080113	S22200NS150R	TYPE B IND BLACK	S1	230v	NO LED

Part No	MPM Part No	DESCRIPTION	CIRCUIT	VOLTAGE	INDICATOR
1212080134	S22200TC310RCN	TYPE B IND TRANSPARENT	C3	12v	RED LED
1212080135	S22200TC320RCN	TYPE B IND TRANSPARENT	C3	24v	RED LED
1212080136	S22200TC330RCN	TYPE B IND TRANSPARENT	C3	48v	RED LED
1212080137	S22200TC340RCN	TYPE B IND TRANSPARENT	C3	115v	RED LED
1212080138	S22200TC350RCN	TYPE B IND TRANSPARENT	C3	230v	RED LED
1212080139	S22200TC3A0RCN	TYPE B IND TRANSPARENT	C3	12v	GREEN LED
1212080140	S22200TC3B0RCN	TYPE B IND TRANSPARENT	C3	24v	GREEN LED
1212080141	S22200TC3C0RCN	TYPE B IND TRANSPARENT	C3	48v	GREEN LED
1212080142	S22200TC3D0RCN	TYPE B IND TRANSPARENT	C3	115v	GREEN LED
1212080143	S22200TC3E0RCN	TYPE B IND TRANSPARENT	C3	230v	GREEN LED
1212080144	S22200TC3G0RCN	TYPE B IND TRANSPARENT	C3	12v	AMBER LED
1212080145	S22200TC3H0RCN	TYPE B IND TRANSPARENT	C3	24v	AMBER LED
1212080146	S22200TC3K0RCN	TYPE B IND TRANSPARENT	C3	48v	AMBER LED
1212080147	S22200TC3L0RCN	TYPE B IND TRANSPARENT	C3	115v	AMBER LED
1212080148	S22200TC3M0RCN	TYPE B IND TRANSPARENT	C3	230v	AMBER LED

Part No	MPM Part No	DESCRIPTION	CIRCUIT	VOLTAGE	INDICATOR
1212080114	S22200TA010RCN	TYPE B IND TRANSPARENT	A0	12v	LAMP/NEON
1212080115	S22200TA020RCN	TYPE B IND TRANSPARENT	A0	24v	LAMP/NEON
1212080116	S22200TA030RCN	TYPE B IND TRANSPARENT	A0	48v	LAMP/NEON
1212080117	S22200TA040RCN	TYPE B IND TRANSPARENT	A0	115v	LAMP/NEON
1212080118	S22200TA050RCN	TYPE B IND TRANSPARENT	A0	230v	LAMP/NEON

SEE SHEET 1 EC NO: IPG2013-0717 DRW: JDSHEA 2012/11/16 CHKD: SMC GREVY 2012/11/21 APPR: STIGLFFIN 2012/11/29	QUALITY SYMBOLS 	GENERAL TOLERANCES (UNLESS SPECIFIED) <table border="1"> <tr> <th></th> <th>mm</th> <th>INCH</th> </tr> <tr> <td>4 PLACES</td> <td>± .005</td> <td>± .0002</td> </tr> <tr> <td>3 PLACES</td> <td>± .008</td> <td>± .0003</td> </tr> <tr> <td>2 PLACES</td> <td>± .015</td> <td>± .0005</td> </tr> <tr> <td>1 PLACE</td> <td>± .030</td> <td>± .0010</td> </tr> <tr> <td colspan="3">ANGULAR ± .005°</td> </tr> </table>		mm	INCH	4 PLACES	± .005	± .0002	3 PLACES	± .008	± .0003	2 PLACES	± .015	± .0005	1 PLACE	± .030	± .0010	ANGULAR ± .005°			DIMENSION STYLE MM ONLY	SCALE 1:1	DESIGN UNITS METRIC	THIRD ANGLE PROJECTION
		mm	INCH																					
	4 PLACES	± .005	± .0002																					
	3 PLACES	± .008	± .0003																					
2 PLACES	± .015	± .0005																						
1 PLACE	± .030	± .0010																						
ANGULAR ± .005°																								
DRAFT WHERE APPLICABLE MUST REMAIN WITHIN DIMENSIONS		<table border="1"> <tr> <th>DRAWN BY</th> <th>DATE</th> <th>TITLE</th> </tr> <tr> <td>DMAHER_WEU</td> <td>2010/03/15</td> <td>EXTERNAL THREAD S22 SERIES 121208</td> </tr> <tr> <th>CHECKED BY</th> <th>DATE</th> <th></th> </tr> <tr> <td></td> <td></td> <td></td> </tr> </table>	DRAWN BY	DATE	TITLE	DMAHER_WEU	2010/03/15	EXTERNAL THREAD S22 SERIES 121208	CHECKED BY	DATE					MOLEX INCORPORATED									
DRAWN BY	DATE	TITLE																						
DMAHER_WEU	2010/03/15	EXTERNAL THREAD S22 SERIES 121208																						
CHECKED BY	DATE																							
		<table border="1"> <tr> <th>APPROVED BY</th> <th>DATE</th> </tr> <tr> <td>JWALLACE</td> <td>2010/03/24</td> </tr> </table>	APPROVED BY	DATE	JWALLACE	2010/03/24	SD-121208-001																	
APPROVED BY	DATE																							
JWALLACE	2010/03/24																							
		SEE TABLES	INCORPORATED AND SHOULD NOT BE USED WITHOUT WRITTEN PERMISSION																					

Part No	MPM Part No	DESCRIPTION	CIRCUIT	VOLTAGE	INDICATOR
1212080149	S22200TC410RCN	TYPE B IND TRANSPARENT	C4	12v	RED LED
1212080150	S22200TC420RCN	TYPE B IND TRANSPARENT	C4	24v	RED LED
1212080151	S22200TC430RCN	TYPE B IND TRANSPARENT	C4	48v	RED LED
1212080152	S22200TC440RCN	TYPE B IND TRANSPARENT	C4	115v	RED LED
1212080153	S22200TC450RCN	TYPE B IND TRANSPARENT	C4	230v	RED LED
1212080154	S22200TC4A0RCN	TYPE B IND TRANSPARENT	C4	12v	GREEN LED
1212080155	S22200TC4B0RCN	TYPE B IND TRANSPARENT	C4	24v	GREEN LED
1212080156	S22200TC4C0RCN	TYPE B IND TRANSPARENT	C4	48v	GREEN LED
1212080157	S22200TC4D0RCN	TYPE B IND TRANSPARENT	C4	115v	GREEN LED
1212080158	S22200TC4E0RCN	TYPE B IND TRANSPARENT	C4	230v	GREEN LED
1212080159	S22200TC4G0RCN	TYPE B IND TRANSPARENT	C4	12v	AMBER LED
1212080160	S22200TC4H0RCN	TYPE B IND TRANSPARENT	C4	24v	AMBER LED
1212080161	S22200TC4K0RCN	TYPE B IND TRANSPARENT	C4	48v	AMBER LED
1212080162	S22200TC4L0RCN	TYPE B IND TRANSPARENT	C4	115v	AMBER LED
1212080163	S22200TC4M0RCN	TYPE B IND TRANSPARENT	C4	230v	AMBER LED

Part No	MPM Part No	DESCRIPTION	CIRCUIT	VOLTAGE	INDICATOR
1212080174	S22200TS010RCN	TYPE B IND TRANSPARENT	S0	12v	RED LED
1212080175	S22200TS020RCN	TYPE B IND TRANSPARENT	S0	24v	RED LED
1212080176	S22200TS030RCN	TYPE B IND TRANSPARENT	S0	48v	RED LED
1212080177	S22200TS040RCN	TYPE B IND TRANSPARENT	S0	115v	RED LED
1212080178	S22200TS050RCN	TYPE B IND TRANSPARENT	S0	230v	RED LED
1212080179	S22200TS0A0RCN	TYPE B IND TRANSPARENT	S0	12v	GREEN LED
1212080180	S22200TS0B0RCN	TYPE B IND TRANSPARENT	S0	24v	GREEN LED
1212080181	S22200TS0C0RCN	TYPE B IND TRANSPARENT	S0	48v	GREEN LED
1212080182	S22200TS0D0RCN	TYPE B IND TRANSPARENT	S0	115v	GREEN LED
1212080183	S22200TS0E0RCN	TYPE B IND TRANSPARENT	S0	230v	GREEN LED
1212080184	S22200TS0G0RCN	TYPE B IND TRANSPARENT	S0	12v	AMBER LED
1212080185	S22200TS0H0RCN	TYPE B IND TRANSPARENT	S0	24v	AMBER LED
1212080186	S22200TS0K0RCN	TYPE B IND TRANSPARENT	S0	48v	AMBER LED
1212080187	S22200TS0L0RCN	TYPE B IND TRANSPARENT	S0	115v	AMBER LED
1212080188	S22200TS0M0RCN	TYPE B IND TRANSPARENT	S0	230v	AMBER LED

Part No	MPM Part No	DESCRIPTION	CIRCUIT	VOLTAGE	INDICATOR
1212080164	S22200TD010RCN	TYPE B IND TRANSPARENT	D0	12v	VDR
1212080165	S22200TD020RCN	TYPE B IND TRANSPARENT	D0	24v	VDR
1212080166	S22200TD030RCN	TYPE B IND TRANSPARENT	D0	48v	VDR
1212080167	S22200TD040RCN	TYPE B IND TRANSPARENT	D0	115v	VDR
1212080168	S22200TD050RCN	TYPE B IND TRANSPARENT	D0	230v	VDR

Part No	MPM Part No	DESCRIPTION	CIRCUIT	VOLTAGE	INDICATOR
1212080189	S22200NS110RCN	TYPE B IND BLACK	S1	12v	NO LED
1212080190	S22200NS120RCN	TYPE B IND BLACK	S1	24v	NO LED
1212080191	S22200NS130RCN	TYPE B IND BLACK	S1	48v	NO LED
1212080192	S22200NS140RCN	TYPE B IND BLACK	S1	115v	NO LED
1212080193	S22200NS150RCN	TYPE B IND BLACK	S1	230v	NO LED

Part No	MPM Part No	DESCRIPTION	CIRCUIT	VOLTAGE	INDICATOR
1212080173	S22200NE050RCN	TYPE B IND BLACK	E0	230v	DIODE

Part No	MPM Part No	DESCRIPTION	CIRCUIT	VOLTAGE	INDICATOR
1212080194	S22200TA012RSN	TYPE B IND TRANSPARENT	A0	12v	LAMP/NEON
1212080195	S22200TA022RSN	TYPE B IND TRANSPARENT	A0	24v	LAMP/NEON
1212080196	S22200TA032RSN	TYPE B IND TRANSPARENT	A0	48v	LAMP/NEON
1212080197	S22200TA042RSN	TYPE B IND TRANSPARENT	A0	115v	LAMP/NEON
1212080198	S22200TA052RSN	TYPE B IND TRANSPARENT	A0	230v	LAMP/NEON

SEE SHEET 1 EC NO: IPG2013-0717 DRWNG:JSHEA 2012/11/16 CHKD:SMCGREVEY 2012/11/21 APPR:STGRJFFIN 2012/11/29	QUALITY SYMBOLS 	GENERAL TOLERANCES (UNLESS SPECIFIED) <table border="1"> <tr><th></th><th>mm</th><th>INCH</th></tr> <tr><td>4 PLACES</td><td>±.000</td><td>±.000</td></tr> <tr><td>3 PLACES</td><td>±.000</td><td>±.000</td></tr> <tr><td>2 PLACES</td><td>±0.1</td><td>±.004</td></tr> <tr><td>1 PLACE</td><td>±0.2</td><td>±.008</td></tr> <tr><td>ANGULAR</td><td colspan="2">±.000°</td></tr> </table>		mm	INCH	4 PLACES	±.000	±.000	3 PLACES	±.000	±.000	2 PLACES	±0.1	±.004	1 PLACE	±0.2	±.008	ANGULAR	±.000°		DIMENSION STYLE MM ONLY DRAWN BY: DMAHER_WEU DATE: 2010/03/15 CHECKED BY: DATE:	SCALE: 1:1 DESIGN UNITS: METRIC FIRST ANGLE PROJECTION	EXTERNAL THREAD S22 SERIES 121208
		mm	INCH																				
	4 PLACES	±.000	±.000																				
	3 PLACES	±.000	±.000																				
2 PLACES	±0.1	±.004																					
1 PLACE	±0.2	±.008																					
ANGULAR	±.000°																						
APPROVED BY: JWALLACE DATE: 2010/03/24 MATERIAL NO.	MOLEX INCORPORATED	DOCUMENT NO. SD-121208-001	SHEET NO. 4 OF 6																				
DRAFT WHERE APPLICABLE MUST REMAIN WITHIN DIMENSIONS	SEE TABLES	THIS DRAWING CONTAINS INFORMATION THAT IS PROPRIETARY TO MOLEX INCORPORATED AND SHOULD NOT BE USED WITHOUT WRITTEN PERMISSION																					

Part No	MPM Part No	DESCRIPTION	CIRCUIT	VOLTAGE	INDICATOR
1212080199	S22200TA112RSN	TYPE B IND TRANSPARENT	A1	12v	RED LED
1212080200	S22200TA122RSN	TYPE B IND TRANSPARENT	A1	24v	RED LED
1212080201	S22200TA132RSN	TYPE B IND TRANSPARENT	A1	48v	RED LED
1212080202	S22200TA142RSN	TYPE B IND TRANSPARENT	A1	115v	RED LED
1212080203	S22200TA152RSN	TYPE B IND TRANSPARENT	A1	230v	RED LED
1212080204	S22200TA1A2RSN	TYPE B IND TRANSPARENT	A1	12v	GREEN LED
1212080205	S22200TA1B2RSN	TYPE B IND TRANSPARENT	A1	24v	GREEN LED
1212080206	S22200TA1C2RSN	TYPE B IND TRANSPARENT	A1	48v	GREEN LED
1212080207	S22200TA1D2RSN	TYPE B IND TRANSPARENT	A1	115v	GREEN LED
1212080208	S22200TA1E2RSN	TYPE B IND TRANSPARENT	A1	230v	GREEN LED
1212080209	S22200TA1G2RSN	TYPE B IND TRANSPARENT	A1	12v	AMBER LED
1212080210	S22200TA1H2RSN	TYPE B IND TRANSPARENT	A1	24v	AMBER LED
1212080211	S22200TA1K2RSN	TYPE B IND TRANSPARENT	A1	48v	AMBER LED
1212080212	S22200TA1L2RSN	TYPE B IND TRANSPARENT	A1	115v	AMBER LED
1212080213	S22200TA1M2RSN	TYPE B IND TRANSPARENT	A1	230v	AMBER LED

Part No	MPM Part No	DESCRIPTION	CIRCUIT	VOLTAGE	INDICATOR
1212080229	S22200TC412RSN	TYPE B IND TRANSPARENT	C4	12v	RED LED
1212080230	S22200TC422RSN	TYPE B IND TRANSPARENT	C4	24v	RED LED
1212080231	S22200TC432RSN	TYPE B IND TRANSPARENT	C4	48v	RED LED
1212080232	S22200TC442RSN	TYPE B IND TRANSPARENT	C4	115v	RED LED
1212080233	S22200TC452RSN	TYPE B IND TRANSPARENT	C4	230v	RED LED
1212080234	S22200TC4A2RSN	TYPE B IND TRANSPARENT	C4	12v	GREEN LED
1212080235	S22200TC4B2RSN	TYPE B IND TRANSPARENT	C4	24v	GREEN LED
1212080236	S22200TC4C2RSN	TYPE B IND TRANSPARENT	C4	48v	GREEN LED
1212080237	S22200TC4D2RSN	TYPE B IND TRANSPARENT	C4	115v	GREEN LED
1212080238	S22200TC4E2RSN	TYPE B IND TRANSPARENT	C4	230v	GREEN LED
1212080239	S22200TC4G2RSN	TYPE B IND TRANSPARENT	C4	12v	AMBER LED
1212080240	S22200TC4H2RSN	TYPE B IND TRANSPARENT	C4	24v	AMBER LED
1212080241	S22200TC4K2RSN	TYPE B IND TRANSPARENT	C4	48v	AMBER LED
1212080242	S22200TC4L2RSN	TYPE B IND TRANSPARENT	C4	115v	AMBER LED
1212080243	S22200TC4M2RSN	TYPE B IND TRANSPARENT	C4	230v	AMBER LED
1212080274	S22200TC4H2RSNSA	TYPE B IND TRANSPARENT UL	C4	24v	AMBER LED

Part No	MPM Part No	DESCRIPTION	CIRCUIT	VOLTAGE	INDICATOR
1212080214	S22200TC312RSN	TYPE B IND TRANSPARENT	C3	12v	RED LED
1212080215	S22200TC322RSN	TYPE B IND TRANSPARENT	C3	24v	RED LED
1212080216	S22200TC332RSN	TYPE B IND TRANSPARENT	C3	48v	RED LED
1212080217	S22200TC342RSN	TYPE B IND TRANSPARENT	C3	115v	RED LED
1212080218	S22200TC352RSN	TYPE B IND TRANSPARENT	C3	230v	RED LED
1212080219	S22200TC3A2RSN	TYPE B IND TRANSPARENT	C3	12v	GREEN LED
1212080220	S22200TC3B2RSN	TYPE B IND TRANSPARENT	C3	24v	GREEN LED
1212080221	S22200TC3C2RSN	TYPE B IND TRANSPARENT	C3	48v	GREEN LED
1212080222	S22200TC3D2RSN	TYPE B IND TRANSPARENT	C3	115v	GREEN LED
1212080223	S22200TC3E2RSN	TYPE B IND TRANSPARENT	C3	230v	GREEN LED
1212080224	S22200TC3G2RSN	TYPE B IND TRANSPARENT	C3	12v	AMBER LED
1212080225	S22200TC3H2RSN	TYPE B IND TRANSPARENT	C3	24v	AMBER LED
1212080226	S22200TC3K2RSN	TYPE B IND TRANSPARENT	C3	48v	AMBER LED
1212080227	S22200TC3L2RSN	TYPE B IND TRANSPARENT	C3	115v	AMBER LED
1212080228	S22200TC3M2RSN	TYPE B IND TRANSPARENT	C3	230v	AMBER LED

Part No	MPM Part No	DESCRIPTION	CIRCUIT	VOLTAGE	INDICATOR
1212080244	S22200TD012RSN	TYPE B IND TRANSPARENT	D0	12v	VDR
1212080245	S22200TD022RSN	TYPE B IND TRANSPARENT	D0	24v	VDR
1212080246	S22200TD032RSN	TYPE B IND TRANSPARENT	D0	48v	VDR
1212080247	S22200TD042RSN	TYPE B IND TRANSPARENT	D0	115v	VDR
1212080248	S22200TD052RSN	TYPE B IND TRANSPARENT	D0	230v	VDR

Part No	MPM Part No	DESCRIPTION	CIRCUIT	VOLTAGE	INDICATOR
1212080253	S22200NE052RSN	TYPE B IND BLACK	E0	230v	DIODE

SEE SHEET 1 EC NO: IPG2013-0717 DRAWN BY: DRW:JOSHEA 2012/11/16 CHKD: SMC GREVY 2012/11/21 APPR: STIGLITZ 2012/11/29 G	QUALITY SYMBOLS 	GENERAL TOLERANCES (UNLESS SPECIFIED) <table border="1"> <tr> <th></th> <th>mm</th> <th>INCH</th> </tr> <tr> <td>4 PLACES</td> <td>± .005</td> <td>± .0004</td> </tr> <tr> <td>3 PLACES</td> <td>± .008</td> <td>± .0003</td> </tr> <tr> <td>2 PLACES</td> <td>± .015</td> <td>± .0002</td> </tr> <tr> <td>1 PLACE</td> <td>± .030</td> <td>± .0001</td> </tr> <tr> <td colspan="3">ANGULAR ± .005°</td> </tr> </table>		mm	INCH	4 PLACES	± .005	± .0004	3 PLACES	± .008	± .0003	2 PLACES	± .015	± .0002	1 PLACE	± .030	± .0001	ANGULAR ± .005°			DIMENSION STYLE MM ONLY DRAWN BY: DMAHER.WEU 2010/03/15 DATE: 2010/03/15 CHECKED BY: _____ DATE: _____ APPROVED BY: JWALLACE 2010/03/24 DATE: 2010/03/24 MATERIAL NO. _____ DOCUMENT NO. _____	SCALE: 1:1 DESIGN UNITS: METRIC FIRST ANGLE PROJECTION	TITLE: EXTERNAL THREAD S22 SERIES 121208 MOLEX INCORPORATED SD-121208-001 SHEET NO. 5 OF 6
		mm	INCH																				
	4 PLACES	± .005	± .0004																				
	3 PLACES	± .008	± .0003																				
2 PLACES	± .015	± .0002																					
1 PLACE	± .030	± .0001																					
ANGULAR ± .005°																							
DRAFT WHERE APPLICABLE MUST REMAIN WITHIN DIMENSIONS		SEE TABLES		THIS DRAWING CONTAINS INFORMATION THAT IS PROPRIETARY TO MOLEX INCORPORATED AND SHOULD NOT BE USED WITHOUT WRITTEN PERMISSION																			

Part No	MPM Part No	DESCRIPTION	CIRCUIT	VOLTAGE	INDICATOR
1212080254	S22200TS012RSN	TYPE B IND TRANSPARENT	S0	12v	RED LED
1212080255	S22200TS022RSN	TYPE B IND TRANSPARENT	S0	24v	RED LED
1212080256	S22200TS032RSN	TYPE B IND TRANSPARENT	S0	48v	RED LED
1212080257	S22200TS042RSN	TYPE B IND TRANSPARENT	S0	115v	RED LED
1212080258	S22200TS052RSN	TYPE B IND TRANSPARENT	S0	230v	RED LED
1212080259	S22200TS0A2RSN	TYPE B IND TRANSPARENT	S0	12v	GREEN LED
1212080260	S22200TS0B2RSN	TYPE B IND TRANSPARENT	S0	24v	GREEN LED
1212080261	S22200TS0C2RSN	TYPE B IND TRANSPARENT	S0	48v	GREEN LED
1212080262	S22200TS0D2RSN	TYPE B IND TRANSPARENT	S0	115v	GREEN LED
1212080263	S22200TS0E2RSN	TYPE B IND TRANSPARENT	S0	230v	GREEN LED
1212080264	S22200TS0G2RSN	TYPE B IND TRANSPARENT	S0	12v	AMBER LED
1212080265	S22200TS0H2RSN	TYPE B IND TRANSPARENT	S0	24v	AMBER LED
1212080266	S22200TS0K2RSN	TYPE B IND TRANSPARENT	S0	48v	AMBER LED
1212080267	S22200TS0L2RSN	TYPE B IND TRANSPARENT	S0	115v	AMBER LED
1212080268	S22200TS0M2RSN	TYPE B IND TRANSPARENT	S0	230v	AMBER LED

Part No	MPM Part No	DESCRIPTION	CIRCUIT	VOLTAGE	INDICATOR
1212080269	S22200NS112RSN	TYPE B IND BLACK	S1	12v	NO LED
1212080270	S22200NS122RSN	TYPE B IND BLACK	S1	24v	NO LED
1212080271	S22200NS132RSN	TYPE B IND BLACK	S1	48v	NO LED
1212080272	S22200NS142RSN	TYPE B IND BLACK	S1	115v	NO LED
1212080273	S22200NS152RSN	TYPE B IND BLACK	S1	230v	NO LED

SEE SHEET 1 EC NO: IPG2013-0717 DRWNG:JSHEA 2012/11/16 CHKD:SMGREVY 2012/11/21 APPR:STGRJFIN 2012/11/29	QUALITY SYMBOLS	GENERAL TOLERANCES (UNLESS SPECIFIED)	DIMENSION STYLE MM ONLY	SCALE 1:1	DESIGN UNITS METRIC	FIRST ANGLE PROJECTION																								
	$\nabla=0$ $\nabla=0$	<table border="1"> <tr><th></th><th>mm</th><th>INCH</th></tr> <tr><td>4 PLACES</td><td>± ---</td><td>± ---</td></tr> <tr><td>3 PLACES</td><td>± ---</td><td>± ---</td></tr> <tr><td>2 PLACES</td><td>± 0.1</td><td>± ---</td></tr> <tr><td>1 PLACE</td><td>± 0.2</td><td>± ---</td></tr> </table>		mm	INCH	4 PLACES	± ---	± ---	3 PLACES	± ---	± ---	2 PLACES	± 0.1	± ---	1 PLACE	± 0.2	± ---	<table border="1"> <tr><th>mm</th><th>INCH</th></tr> <tr><td>± 0.1</td><td>± ---</td></tr> <tr><td>± 0.2</td><td>± ---</td></tr> <tr><td>ANGULAR</td><td>± ---°</td></tr> </table>	mm	INCH	± 0.1	± ---	± 0.2	± ---	ANGULAR	± ---°	DRAWN BY DMAHER_WEU DATE 2010/03/15 CHECKED BY DATE	TITLE EXTERNAL THREAD S22 SERIES 121208		
		mm	INCH																											
	4 PLACES	± ---	± ---																											
3 PLACES	± ---	± ---																												
2 PLACES	± 0.1	± ---																												
1 PLACE	± 0.2	± ---																												
mm	INCH																													
± 0.1	± ---																													
± 0.2	± ---																													
ANGULAR	± ---°																													
DESCRIPTION	DRAFT WHERE APPLICABLE MUST REMAIN WITHIN DIMENSIONS	APPROVED BY JWALLACE DATE 2010/03/24	MOLEX INCORPORATED MATERIAL NO. SEE TABLES DOCUMENT NO. SD-121208-001																											
REV		SIZE A 2	THIS DRAWING CONTAINS INFORMATION THAT IS PROPRIETARY TO MOLEX INCORPORATED AND SHOULD NOT BE USED WITHOUT WRITTEN PERMISSION SHEET NO. 6 OF 6																											