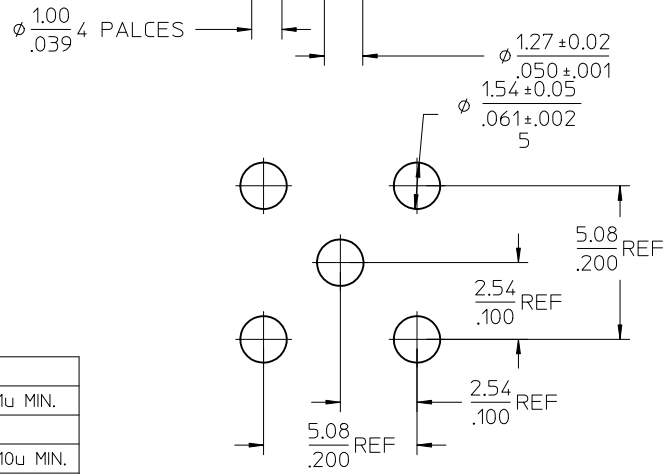
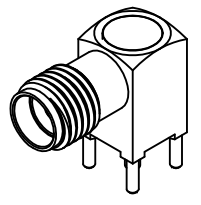
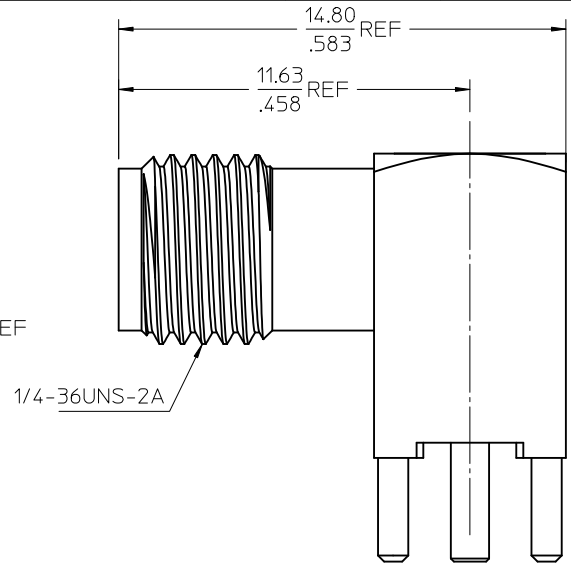
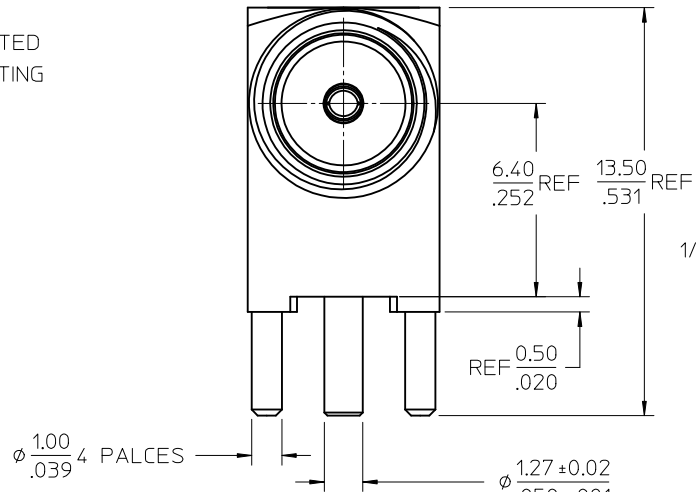
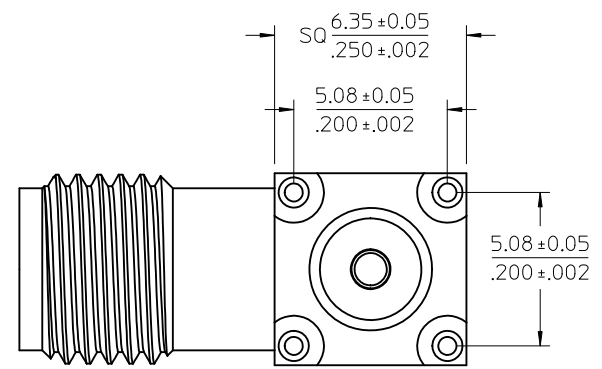


MATERIAL&FINISH;
 1)BODY:ZINC ALLOY / SEE TABLE FOR PLATING
 2)INSULATOR:TEFLON
 3)FEMALE CENTER CONTACT:
 BERYLLIUM COPPER / GOLD PLATED
 4)CENTER CONTACT :BRASS/GOLD PLATED
 5)COVER:BRASS/ SEE TABLE FOR PLATING

PACKING :BY TRAY



RECOMMEND PCB DIMENSION
(BOTTOM VIEW)



3	73391-0083	COVER, GOLD 1u MIN. BODY AND PIN, GOLD 1u MIN.
2	73391-0081	COVER, GOLD 10u MIN. BODY AND PIN, GOLD 10u MIN.
1	73391-0080	COVER, NICKEL PLATED BODY, NICKEL PLATED
	PART NO.	DESCRIPTION

PS-73598-0111	SPECIFICATION
MIL-STD-348A, FIG. 310.1	SMA INTERFACE
SPECIFICATION	DESCRIPTION

73391-0082	73391-0080 BY TRAY (20 CAV.)
PART NO.	PACKAGING

ADDED P/N:73391-0083 RTM PDR:1008650 EC NO: URF2011-0120 DRW:LIN CHKD: APPR:MHUANG	2010/08/23 2010/09/02 2010/09/02	DESCRIPTION	QUALITY SYMBOLS
			<p>▽=0</p> <p>▽=0</p>
A4			REV

GENERAL TOLERANCES (UNLESS SPECIFIED)		DIMENSION STYLE		SCALE	DESIGN UNITS	THIRD ANGLE PROJECTION
		MM/IN			METRIC	
4 PLACES ± ---	± ---	DRAWN BY	DATE	TITLE		
3 PLACES ± ---	± ---	LYNN LIN	1998/12/08	50 OHM SMA R/A PCB RECEPTACLE SMA-J/R/A		
2 PLACES ± ---	± ---	CHECKED BY	DATE	MOLEX INCORPORATED		
1 PLACE ± ---	± ---	A. CLARY	1998/12/08	SD-73391-008		
ANGULAR ± 2 °		APPROVED BY	DATE	SHEET NO.		
DRAFT WHERE APPLICABLE MUST REMAIN WITHIN DIMENSIONS		NISEN	1998/12/08	1 OF 1		
MATERIAL NO.		SEE TABLE		THIS DRAWING CONTAINS INFORMATION THAT IS PROPRIETARY TO MOLEX INCORPORATED AND SHOULD NOT BE USED WITHOUT WRITTEN PERMISSION		