

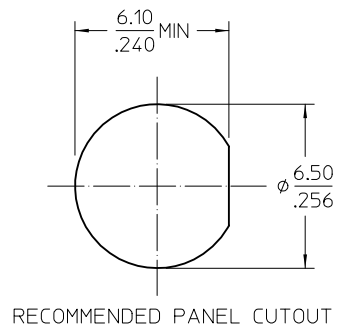
MATERIALS AND FINISHES:

BODY, JAM NUT BRASS
PLATED GOLD FLASH

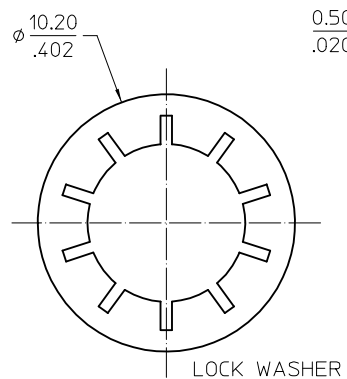
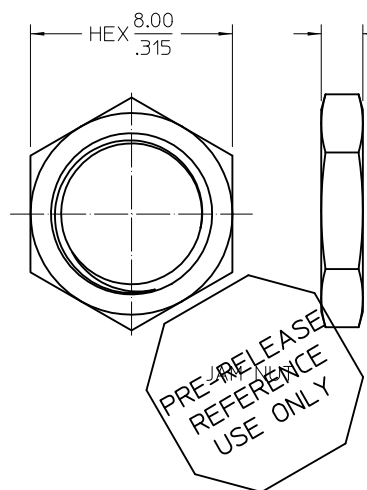
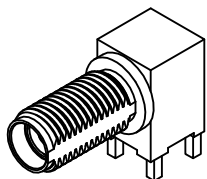
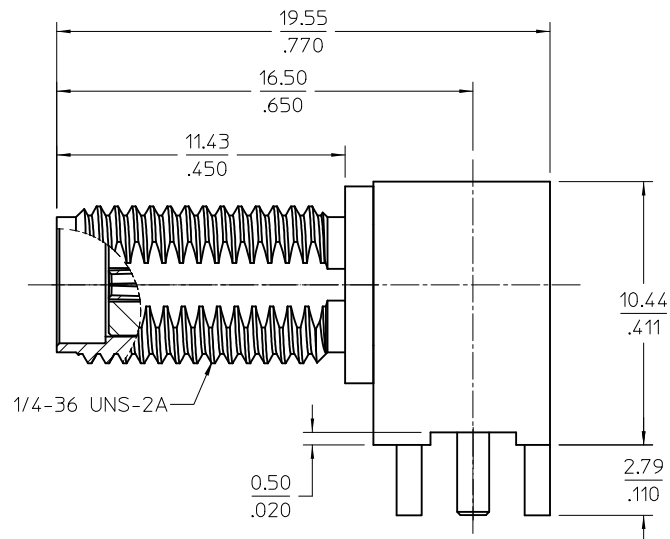
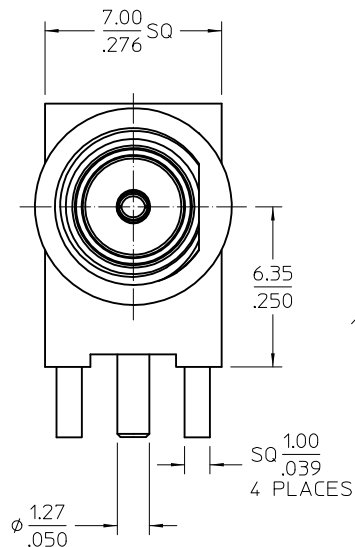
CONTACT BERYLLIUM COPPER
PLATED GOLD FLASH

INSULATOR TEFLON

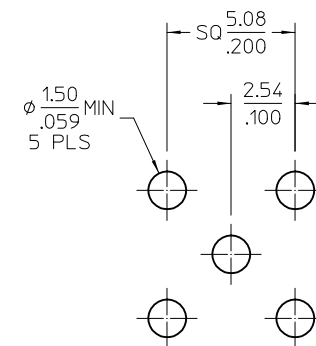
LOCK WASHER: SPCC
PLATED GOLD FLASH



RECOMMENDED PANEL CUTOUT



LOCK WASHER



RECOMMENDED PCB LAYOUT

73251-6200	TRAY
PART NO	PACKAGING

CHG:NEW RELEASE	EC NO: 2013/09/23	QUALITY SYMBOLS	GENERAL TOLERANCES (UNLESS SPECIFIED)		DIMENSION STYLE		SCALE	DESIGN UNITS	THIRD ANGLE PROJECTION		
			mm	INCH	MM/IN		7:1	METRIC			
DRAWN BY: RYEH	CHKD: CHFKD	DESCRIPTION	4 PLACES	± .005	± .005	DRAWN BY	DATE	TITLE			
			3 PLACES	± .005	± .005	RYEH	2013/09/23	SMA JACK R/A			
1	1	REV	2 PLACES	± .005	± .005	CHECKED BY		DATE		PCB TH 50 OHMS	
			1 PLACE	± .005	± .005	APPROVED BY		DATE		SMA-J/PCB	
			0 PLACE	± .005	± .005	MATERIAL NO.		DOCUMENT NO.	SHEET NO.		
			ANGULAR ± 2 °		SEE TABLE		SD-73251-620		1 OF 1		
			DRAFT WHERE APPLICABLE MUST REMAIN WITHIN DIMENSIONS		THIS DRAWING CONTAINS INFORMATION THAT IS PROPRIETARY TO MOLEX INCORPORATED AND SHOULD NOT BE USED WITHOUT WRITTEN PERMISSION						