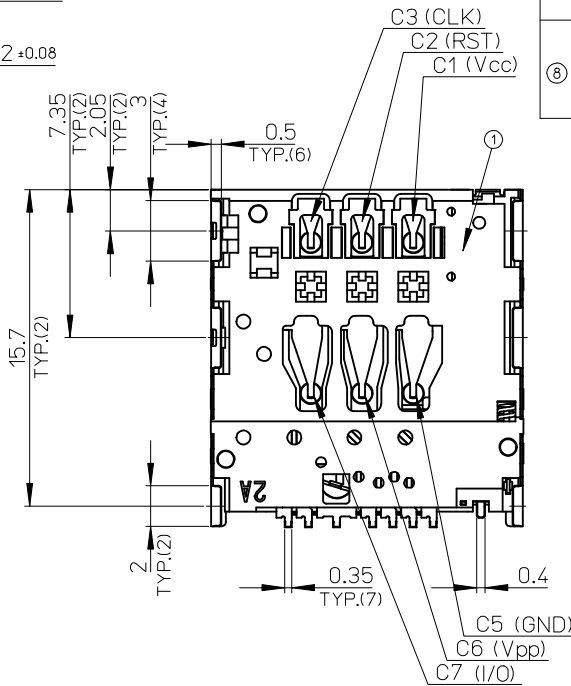


PERSPECTIVE VIEW



番号 NO.	名称 NAME	材料 MATERIAL	仕上げ (めっき) FINISHES (PLATING)
①	ハウジング HOUSING	液晶ポリマー(LCP)、ガラス充填、UL94 V-0、黒 LIQUID CRYSTAL POLYMER (LCP), GLASS FILLED, UL94 V-0, BLACK	
②	スライダー SLIDER	ステンレス鋼 STAINLESS STEEL	
③	ターミナル TERMINAL	焼青銅 PHOSPHOR BRONZE	接触部: 金めっき(0.5μmMIN.) 基板実装部: 金めっき 下地: ニッケルめっき(1.0μmMIN.) CONTACT AREA: GOLD PLATING (0.5 MICROMETER MINIMUM) SOLDER TAIL AREA: GOLD PLATING UNDERPLATE: NICKEL OVERALL (1.0 MICROMETER MINIMUM)
④	シェル SHELL	銅合金 COPPER ALLOY	
⑤	スプリング SPRING	ピアノ線 SWP	全面: ニッケルめっき NICKEL OVERALL
⑥	ピン PIN	ステンレス鋼 STAINLESS STEEL	
⑦	ディテクトレバー DETECT LEVER	焼青銅 PHOSPHOR BRONZE	接触部: 金めっき(0.2μmMIN.) 基板実装部: 金めっき 下地: ニッケルめっき(1.0μmMIN.) CONTACT AREA: GOLD PLATING (0.2 MICROMETER MINIMUM) SOLDER TAIL AREA: GOLD PLATING UNDERPLATE: NICKEL OVERALL (1.0 MICROMETER MINIMUM)
⑧	ディテクトスイッチ DETECT SWITCH	焼青銅 PHOSPHOR BRONZE	接触部: 金めっき(0.2μmMIN.) 基板実装部: 金めっき 下地: ニッケルめっき(1.0μmMIN.) CONTACT AREA: GOLD PLATING (0.2 MICROMETER MINIMUM) SOLDER TAIL AREA: GOLD PLATING UNDERPLATE: NICKEL OVERALL (1.0 MICROMETER MINIMUM)

NOTES

- ターミナル及びネイルの平坦度は 0.08 MAX. (測定用定板面を基準)
TERMINAL AND NAIL COPLANARITY TO BE 0.08 MAX.(FROM GAUGE PLANE)
 - △ スタンドオフ寸法
STAND OFF DIMENSION
本寸法はコネクタ全高に含まれます。
STAND OFF DIMENSION IS INCLUDED IN THE CONNECTOR TOTAL HEIGHT.
 - パターン禁止エリア PATTERN PROHIBITION AREA
 - カード検知スイッチ DETECT SWITCH
- | | |
|--------------------------------|------------|
| カード挿入時 CARD INSERTING POSITION | オープン OPEN |
| カード未挿入時 NO CARD | クローズ CLOSE |
- 肉抜き位置は任意とする。CAVITY IS TO BE OPTIONAL.
 - ロット印字は任意とする。LOT NUMBERING IS TO BE OPTIONAL.
 - ELV及びRoHS 適合品 ELV AND RoHS COMPLIANT.
 - 括弧寸法は、参考値となります。(Dimension) : REFERENCE VALUE

503960-0695	6
EMBOSSED PACKAGE	極数
オーダー番号 ORDER NO.	CIRCUITS

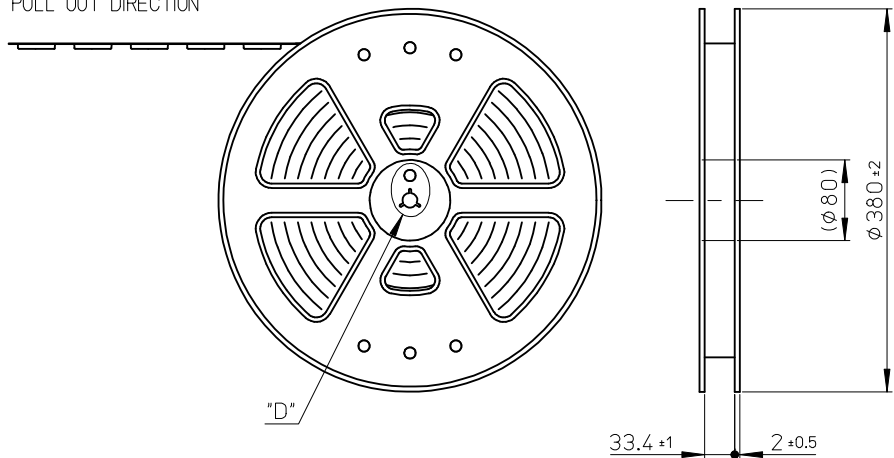
CONNECTOR SERIES No. 503960-****

REV	DESCRIPTION	GENERAL TOLERANCES (UNLESS SPECIFIED)		DIMENSION STYLE		SCALE	DESIGN UNITS	THIRD ANGLE PROJECTION	
		10 UNDER	± 0.2	MM ONLY	1:1	METRIC	TITLE		
0	RELEASED EC NO: J2014-0885 DRWN: Y MORINAGA 2013/11/21 CHKD: TKUSUHARA01 2013/11/21 APPR: NUKITA 2013/11/21	10 OVER	± 0.25	DRAWN BY	DATE	TITLE	MICRO SIM CARD CONN. PUSH/PUSH NORMAL TYPE ASS'Y		
		30 OVER	± 0.3	Y MORINAGA	2013/11/21				
		ANGULAR ±1 °		CHECKED BY	DATE	molex			
		DRAFT WHERE APPLICABLE MUST REMAIN WITHIN DIMENSIONS		TKUSUHARA01	2013/11/21				
				APPROVED BY	DATE	DOCUMENT NO.		SHEET NO.	
				NUKITA	2013/11/21	SD-503960-007		1 OF 2	
				MATERIAL NO.	SEE CHART				
				SIZE	THIS DRAWING CONTAINS INFORMATION THAT IS PROPRIETARY TO MOLEX INCORPORATED AND SHOULD NOT BE USED WITHOUT WRITTEN PERMISSION				
				A3					

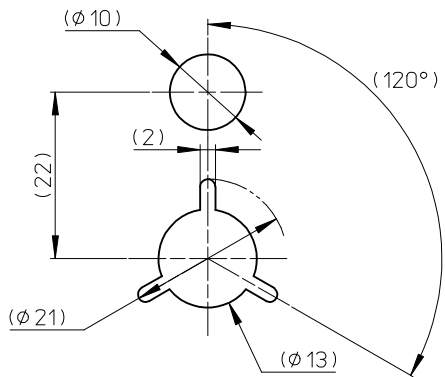
NOTES

- 製品詳細寸法については、コネクタ単体のSD図面を参照下さい。
RE DETAILED DIMENSION, SEE RSD DRAWING OF ASS'Y.
- 梱包数量：1600個/リール
NUMBER OF CONNECTORS：1600 PCS/REEL.
- リードテープ長さ LEAD TAPE LENGTH.

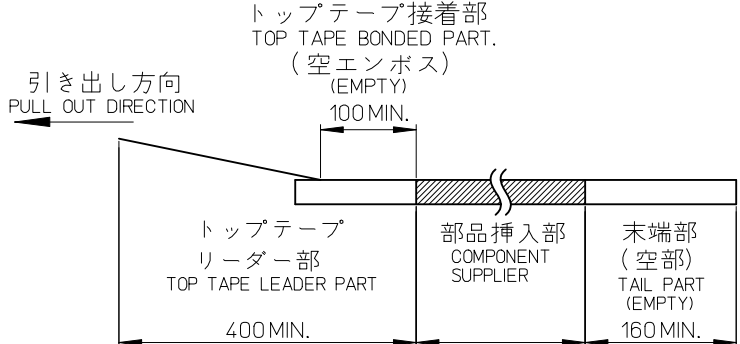
引き出し方向
PULL OUT DIRECTION



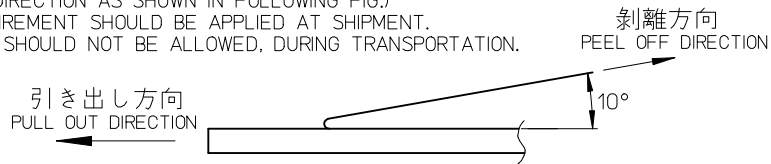
"D"



DETAIL "D"



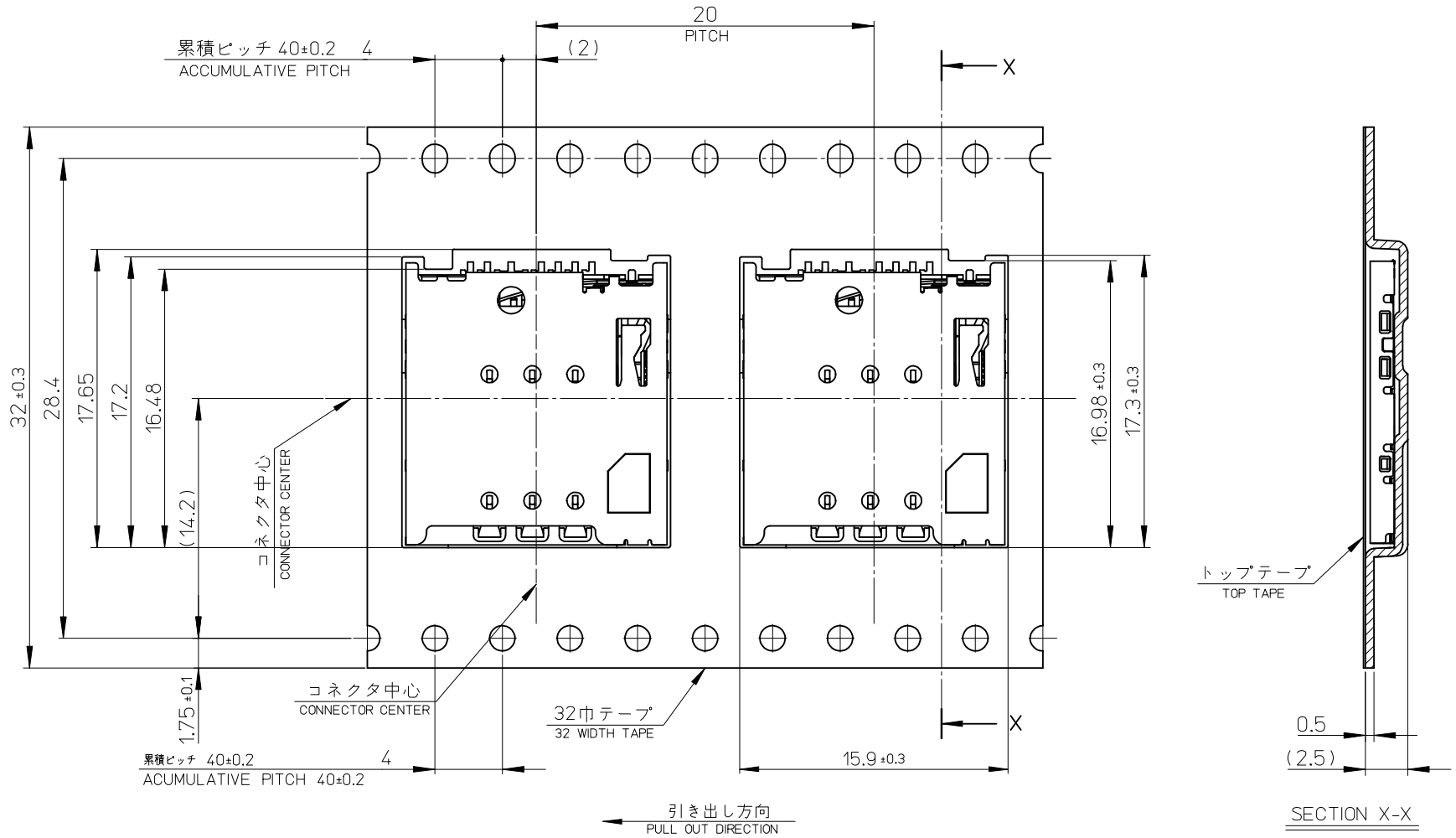
- トップテープの剥離強度：JIS C0806-3に準拠(剥離方向は下図参照)尚、本規格値は出荷時に適用。(但し、輸送時に剥離が発生しないこと。)
PEELING OFF FORCE OF TOP TAPE：BASED UPON JIS C0806-3 (PEELING DIRECTION AS SHOWN IN FOLLOWING FIG.) THIS REQUIREMENT SHOULD BE APPLIED AT SHIPMENT. PEEL OFF SHOULD NOT BE ALLOWED, DURING TRANSPORTATION.



- 材料 MATERIAL
キャリアテープ (CARRIER TAPE)：ポリスチレン (POLYSTYRENE)
トップテープ (TOP TAPE)：PET, PE, PEF
リール (REEL)：ポリスチレン (PS) <リサイクル材含む>
POLYSTYRENE (PS) <RECYCLE MATERIAL CONTAINED>

503960-0695	6
EMBOSSED PACKAGE	極数
オーダー番号 ORDER NO.	CIRCUITS
CONNECTOR SERIES No. 503960-****	

RELEASED EC NO: J2014-0885 DRWN: YMORINAGA 2013/11/20 CHKD: TKUSUHARA01 2013/11/20 APPR: NUKITA 2013/11/21	GENERAL TOLERANCES (UNLESS SPECIFIED)		DIMENSION STYLE MM ONLY		SCALE 1:1	DESIGN UNITS METRIC	THIRD ANGLE PROJECTION
	10 UNDER	±0.2	DRAWN BY YMORINAGA	DATE 2013/11/20	TITLE MICRO SIM CARD CONN. PUSH/PUSH NORMAL TYPE EMBOSSED TAPE PACKAGE		
	10 OVER 30 UNDER	±0.25	CHECKED BY TKUSUHARA01	DATE 2013/11/20	molex DOCUMENT NO. SD-503960-008 SHEET NO. 1 OF 2		
	30 OVER	±0.3	APPROVED BY NUKITA	DATE 2013/11/21			
ANGULAR ±1 °	DRAFT WHERE APPLICABLE MUST REMAIN WITHIN DIMENSIONS		MATERIAL NO. SEE CHART		THIS DRAWING CONTAINS INFORMATION THAT IS PROPRIETARY TO MOLEX INCORPORATED AND SHOULD NOT BE USED WITHOUT WRITTEN PERMISSION		



SEE SHEET 1 OF 2 EC NO: J2014-0885 DRWN: YMORINAGA 2013/11/20 CHKD: TKUSUHARA01 2013/11/20 APPR: NUKITA 2013/11/21	GENERAL TOLERANCES (UNLESS SPECIFIED)		DIMENSION STYLE MM ONLY	SCALE 1:1	DESIGN UNITS METRIC	THIRD ANGLE PROJECTION
	10 UNDER	± 0.2	DRAWN BY YMORINAGA	DATE 2013/11/20	TITLE MICRO SIM CARD CONN. PUSH/PUSH NORMAL TYPE EMBOSSSED TAPE PACKAGE	
	10 OVER 30 UNDER	± 0.25	CHECKED BY TKUSUHARA01	DATE 2013/11/20		
	30 OVER	± 0.3	APPROVED BY NUKITA	DATE 2013/11/21		
0	ANGULAR ± 1 °	MATERIAL NO. SEE SHEET 1 OF 2		DOCUMENT NO. SD-503960-008	SHEET NO. 2 OF 2	
	DRAFT WHERE APPLICABLE MUST REMAIN WITHIN DIMENSIONS		THIS DRAWING CONTAINS INFORMATION THAT IS PROPRIETARY TO MOLEX INCORPORATED AND SHOULD NOT BE USED WITHOUT WRITTEN PERMISSION			