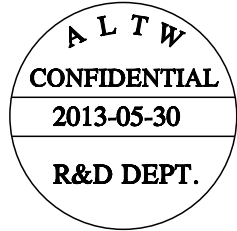
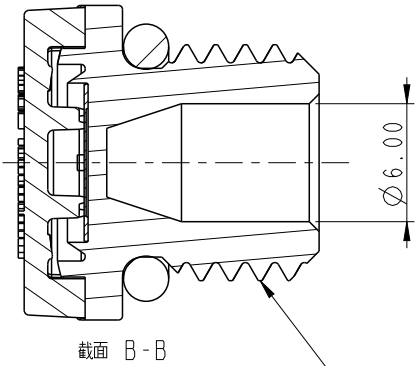
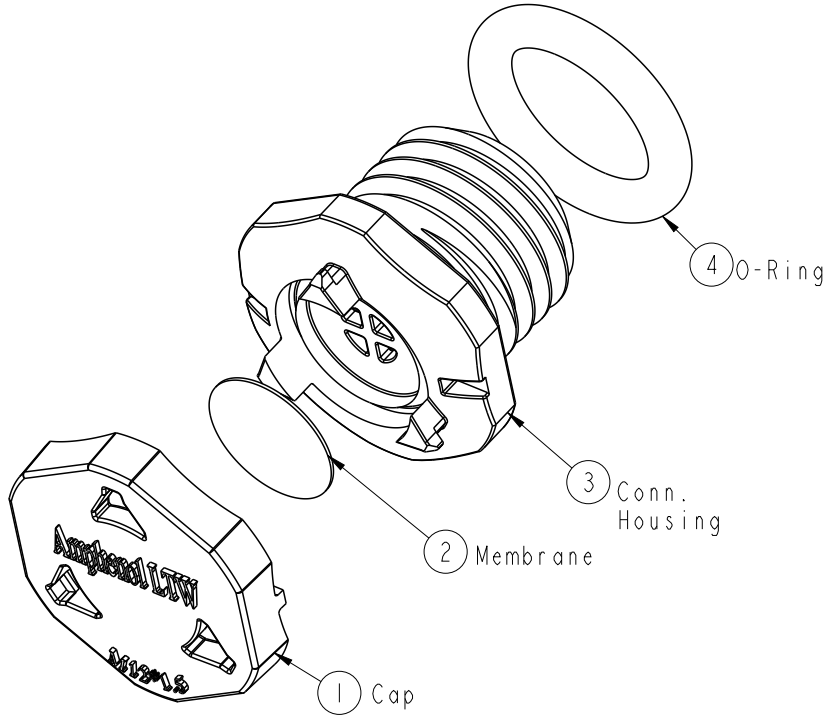
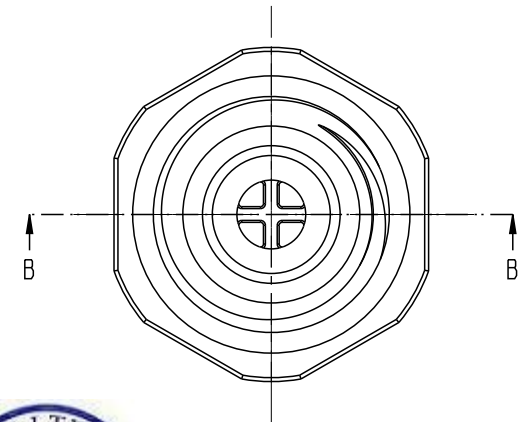
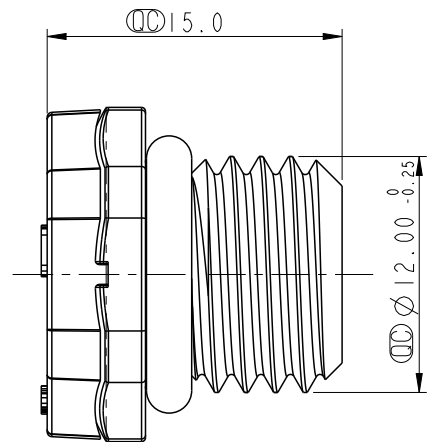
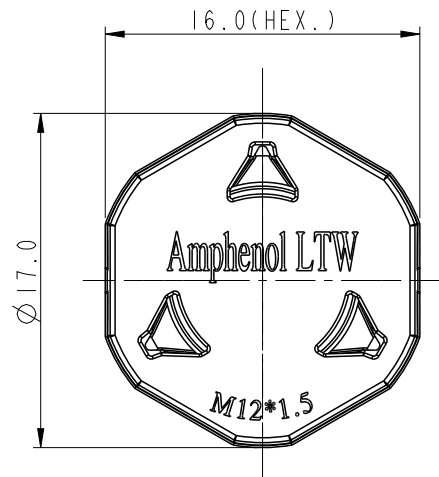


REV.	ECN NO.	DATE	SIGN	DESCRIPTION
A	Release	2013-05-30	Kevin Wang	



- Note:
- * \varnothing Important Dimension.
 - * Waterproof Rate: IP69K
 - * Cap: M-PPE, UV Resistance, Black
 - * Membrane: PTFE, Gray
 - * Conn. Housing: M-PPE, UV Resistance, Black
 - * O-Ring: Silicone, UL94-V0, Dark Gray.
 - * Maximum Panel Thickness: 10.0mm
 - * Nut Torque Force: 8.0~9.0 Kg/cm
 - * Air Permeability: $0.1 \pm 0.05 \text{ cm}^3/\text{sec}$
 - * Water Entry Pressure: >196KPa

UNIT:mm		
TOLERANCE		
.X	± 0.25	
.XX	± 0.1	
.XXX	± 0.05	
ANGLES	± 1	

TITLE M12*1.5 Vent			
SCALE 2:1	SIZE A4	SHEET 1 OF 1	
REV. A	WC-REV. A.10	\varnothing : Inspection item	

Amphenol LTW
安費諾亮泰企業股份有限公司

ITEM NO VENT-BJ001	DRAWN BY Kevin	DATE 2013-05-30
DWG NO VENT-BJ001	CHECKED BY Jimmy	DATE 2013-05-30
CUSTOMER ALTW	APPROVED BY Maslow	DATE 2013-05-30

THIS DOCUMENT IS SUBJECT TO CHANGE WITHOUT NOTICE. IT IS CONFIDENTIAL AND A PROPERTY OF Amphenol LTW. DISCLOSURE TO THIRD PARTY HAS TO BE AUTHORIZED BY Amphenol LTW.