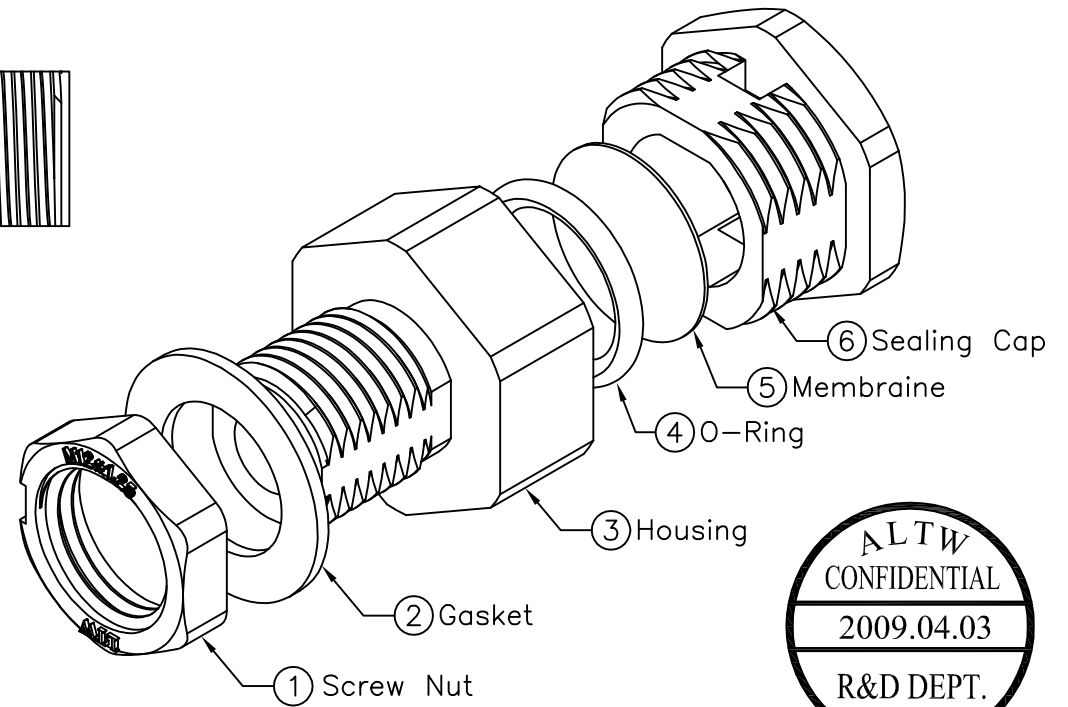
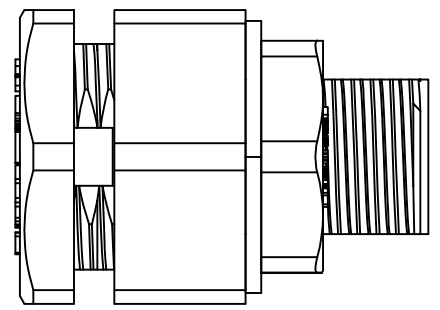
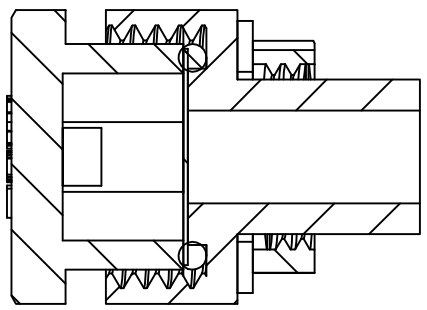
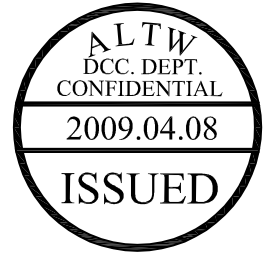
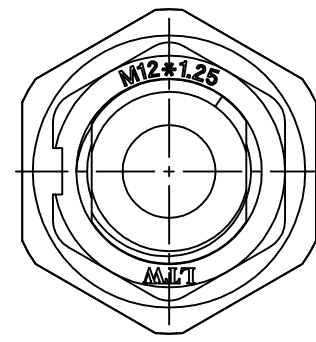
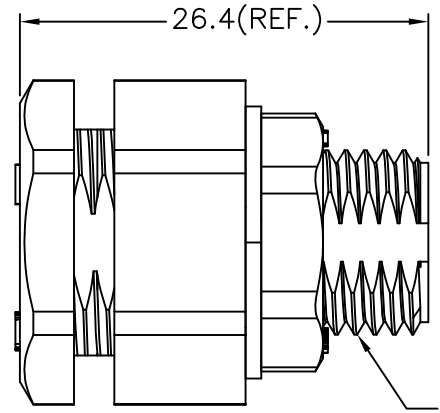
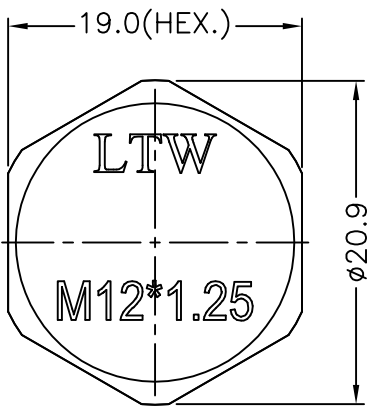
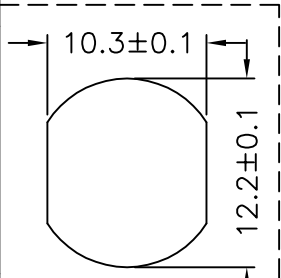


5	6	7	8
REV.	ECN NO.	DATE	DESCRIPTION
B	LFN-940044	2009/04/03	ADD THE NOTE



- Note:
- \* Ⓞ Important Dimension
  - \* Waterproof Rate: IP67
  - \* Nut: Black, Nylon 66
  - \* Gasket: Black, EPDM
  - \* Housing: Black, PBT+PC
  - \* O-Ring: Black, EPDM
  - \* Membrane: PTFE
  - \* Sealing Cap: Black, PBT+PC
  - \* Maximum Panel Thickness: 6.5mm
  - \* Air permeability: 10sec/100cm<sup>3</sup>
  - \* Water entry pressure: 200kPa



Recommended Panel Cut-Out

UNIT:mm		TITLE M12 Vent		<b>Amphenol LTW</b>		ITEM NO VENT-BD002	DRAWN BY TOMMY	DATE 2009/04/03
TOLERANCE .X ±0.25 .XX ±0.1 .XXX ±0.05 ANGLES ±1°		SCALE Free	SHEET 1 OF 1	安費諾亮泰企業股份有限公司		DWG NO VENT-BD002	CHECKED BY Vicky	DATE 2009/04/03
REV. B	SIZE A4	Ⓞ :Inspection Item		CUSTOMER ALTW		APPROVED BY Luke	DATE 2009/04/03	8 FMW0702-01-01A2

THIS DOCUMENT IS SUBJECT TO CHANGE WITHOUT NOTICE. IT IS CONFIDENTIAL AND A PROPERTY OF Amphenol LTW. DISCLOSURE TO THIRD PARTY HAS TO BE AUTHORIZED BY Amphenol LTW.