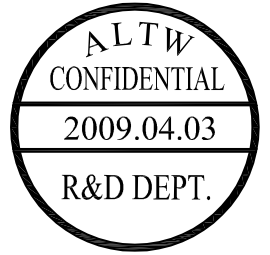
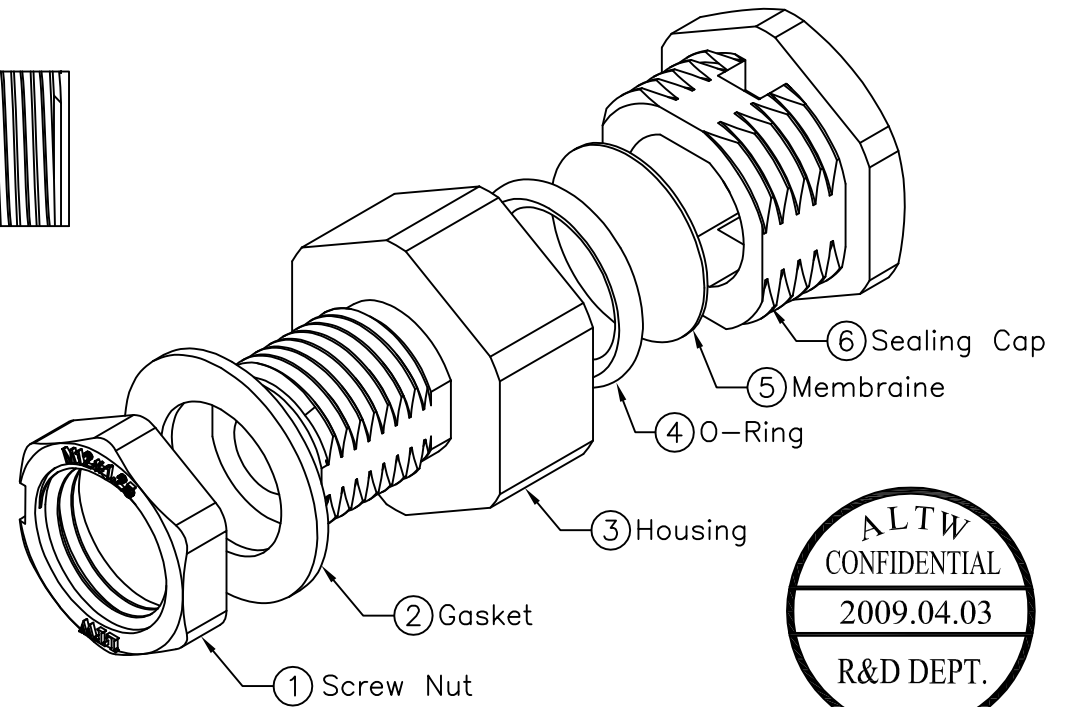
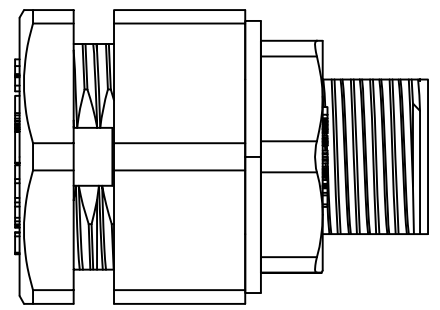
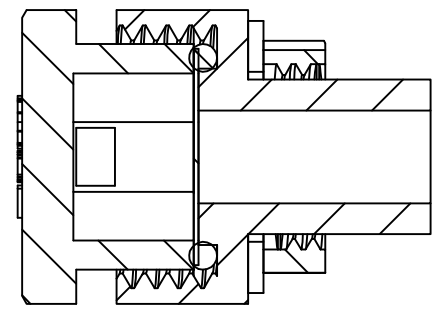
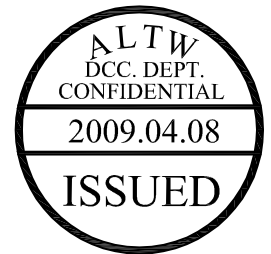
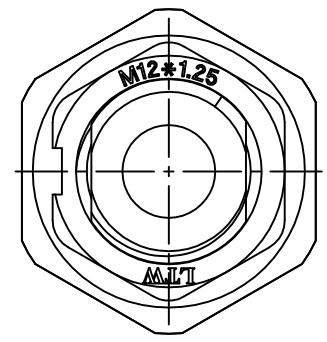
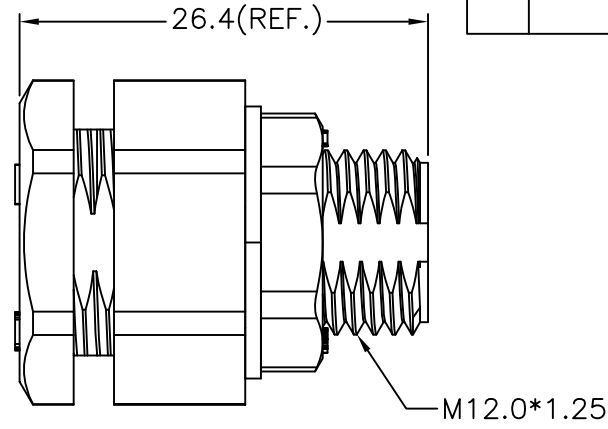
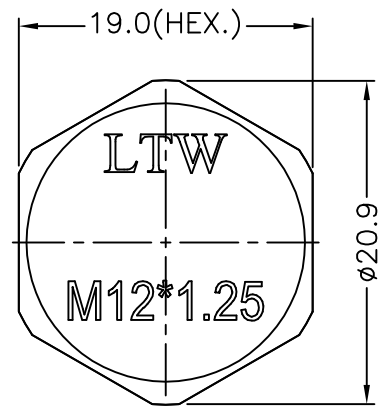
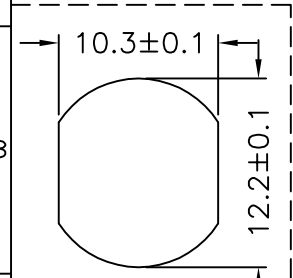


5	6	7	8
REV. B	ECN NO. LEN-940043	DATE 2009/04/03	SIGN TOMMY DESCRIPTION ADD THE NOTE



- Note:
- \* @D Important Dimension
  - \* Waterproof Rate: IP67
  - \* Nut: Black, Nylon 66
  - \* Gasket: Black, EPDM
  - \* Housing: Black, PBT+PC
  - \* O-Ring: Black, EPDM
  - \* Membrane: White, PTFE
  - \* Sealing Cap: Black, PBT+PC
  - \* Maximum Panel Thickness: 6.5mm
  - \* Air permeability: 12sec/100cm<sup>3</sup>
  - \* Water entry pressure: 100kPa



Recommended Panel Cut-Out

UNIT:mm	
TOLERANCE	
.X	±0.25
.XX	±0.1
.XXX	±0.05
ANGLES	±1°

TITLE	M12 Vent		
SCALE	Free	SHEET	1 OF 1
REV. B	SIZE A4	@C :Inspection Item	

**Amphenol LTW**  
安費諾亮泰企業股份有限公司

ITEM NO	VENT-BD001	DRAWN BY	TOMMY	DATE	2009/04/03
DWG NO	VENT-BD001	CHECKED BY	Vicky	DATE	2009/04/03
CUSTOMER	ALTW	APPROVED BY	Luke	DATE	2009/04/03

THIS DOCUMENT IS SUBJECT TO CHANGE WITHOUT NOTICE. IT IS CONFIDENTIAL AND A PROPERTY OF Amphenol LTW. DISCLOSURE TO THIRD PARTY HAS TO BE AUTHORIZED BY Amphenol LTW.