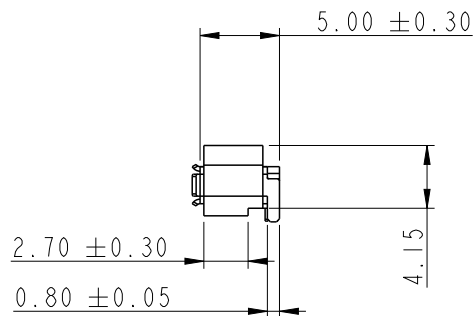
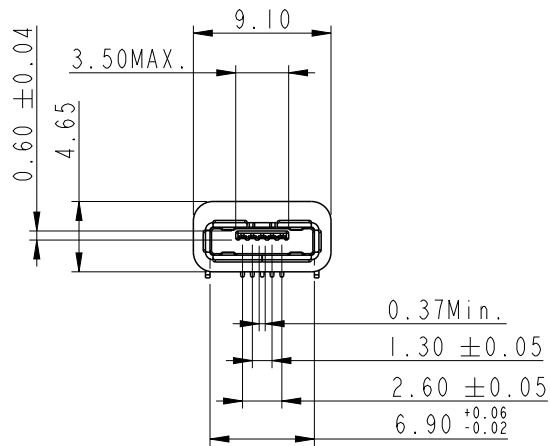
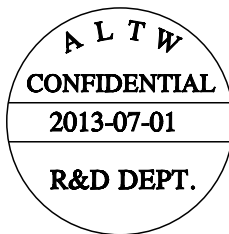
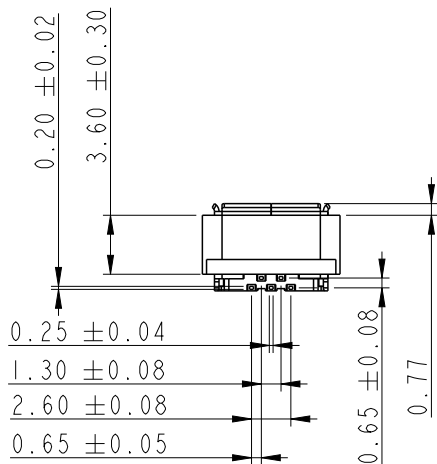


REV.	ECN NO.	DATE	SIGN	DESCRIPTION
02		2013-07-01	Gear	Change View.



比例 1:1
3D View.



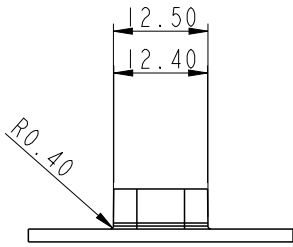
Note:

- * Ⓞ Important Dimensions To Check.
- * Current (電流): 1-5pin 1.8A, 2-3 & 4 pin 1A.
- * Waterproof Rate (防水等級): IP-67 Unmating (單顆防水)
- * Housing (膠芯): LCP Black (黑)
- * Terminal (端子): Copper (銅合金), Gold Plating (鍍金)
- * Shell (外殼): Stainless (不鏽鋼), Nickel Plating (鍍鎳)
- * Inner Gasket (內墊圈): TPR White (白色)
- * Outside Gasket (外墊圈): TPR White (白色)
- * Flame Class (防火等級): UL94V-0

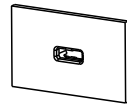
UNIT: mm		TITLE		ITEM NO.		DRAWN BY		DATE					
		Micro USB DIP Thin.		MUC-20PFFR-JS8005		Gear_fan		2013-0701					
		SCALE	SIZE	SHEET	DWG NO.	CHECKED BY	DATE						
TOLERANCE	±0.25	A4	1	MUC-20PFFR-JS8005	Tony	2013-07-01							
.X	±0.1	WC-REV.	OF	CUSTOMER	APPROVED BY	DATE							
.XX	±0.05	A.6	3	ALTW	Victor	2013-07-01							
.XXX	±1°	QC: Inspection item		Amphenol LTW 安費諾亮泰企業股份有限公司									
ANGLES				<table border="1"> <tr> <td>REV.</td> <td>02</td> <td>DATE</td> <td>2013-07-01</td> </tr> </table>						REV.	02	DATE	2013-07-01
REV.	02	DATE	2013-07-01										

THIS DOCUMENT IS SUBJECT TO CHANGE WITHOUT NOTICE. IT IS CONFIDENTIAL AND A PROPERTY OF Amphenol LTW. DISCLOSURE TO THIRD PARTY HAS TO BE AUTHORIZED BY Amphenol LTW.

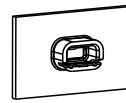
REV.	ECN NO.	DATE	SIGN	DESCRIPTION



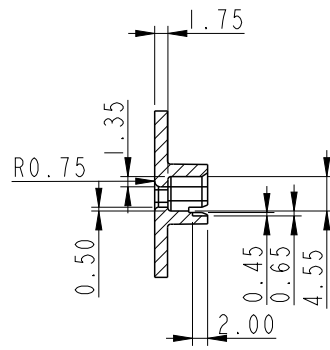
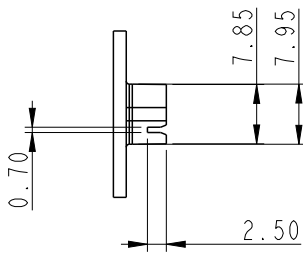
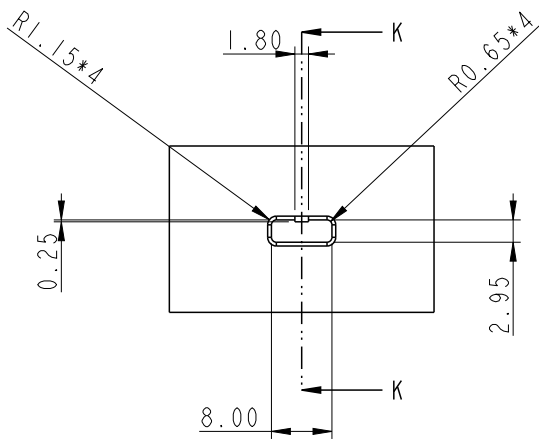
ALTW
CONFIDENTIAL
 2013-07-01
R&D DEPT.



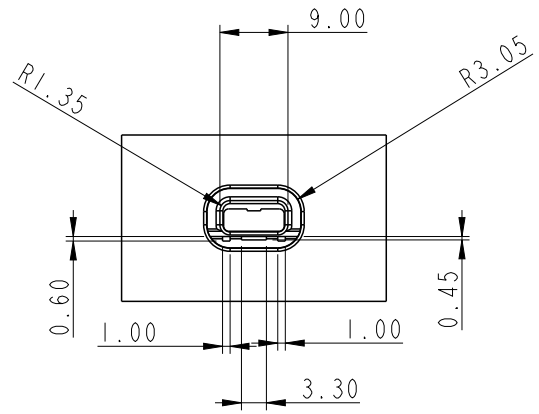
比例 1:2
3D View.



比例 1:2
3D View.



截面 K-K



Recommended Shell.

UNIT:mm		
TOLERANCE	.X ±0.25	
	.XX ±0.05	
	.XXX ±0.02	
ANGLES	±1°	

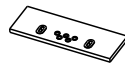
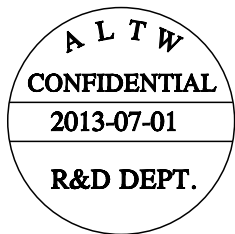
TITLE Micro USB DIP Thin.		
SCALE 2:1	SIZE A4	SHEET 2 OF 3
REV. 02	WC-REV. A.6	☉: Inspection item

Amphenol LTW
安費諾亮泰企業股份有限公司

ITEM NO. MUC-20PFFR-JS8005	DRAWN BY Gear_fan	DATE 2013-07-01
DWG NO. MUC-20PFFR-JS8005	CHECKED BY Tony	DATE 2013-07-01
CUSTOMER ALTW	APPROVED BY Victor	DATE 2013-07-01

THIS DOCUMENT IS SUBJECT TO CHANGE WITHOUT NOTICE. IT IS CONFIDENTIAL AND A PROPERTY OF Amphenol LTW. DISCLOSURE TO THIRD PARTY HAS TO BE AUTHORIZED BY Amphenol LTW.

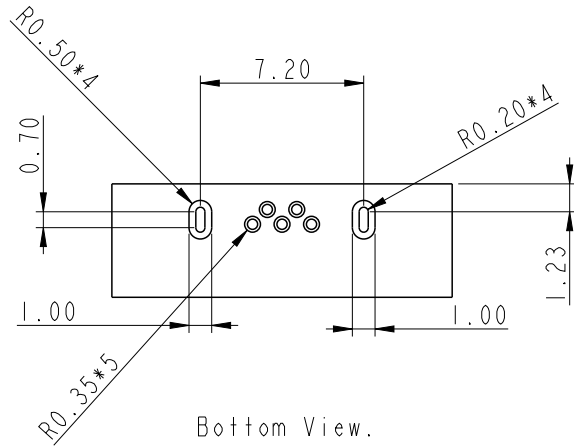
REV.	ECN NO.	DATE	SIGN	DESCRIPTION



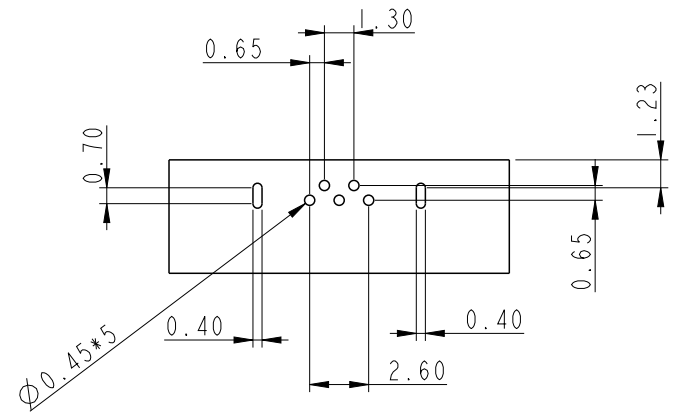
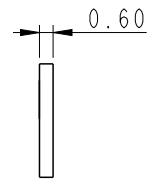
比例 1:1
3D Bottom View.



比例 1:1
3D TOP View.



Bottom View.



TOP View.

Recommended PCB Layout.

UNIT:mm		
TOLERANCE	.X ±0.25	
	.XX ±0.05	
	.XXX ±0.02	
ANGLES	±1°	

TITLE Micro USB DIP Thin.		
SCALE 3:1	SIZE A4	SHEET 3 OF 3
REV. 02	WC-REV. A.6	Inspection item

Amphenol LTW
安費諾亮泰企業股份有限公司

ITEM NO. MUC-20PFFR-JS8005	DRAWN BY Gear_fan	DATE 2013-07-01
DWG NO. MUC-20PFFR-JS8005	CHECKED BY Tony	DATE 2013-07-01
CUSTOMER ALTW	APPROVED BY Victor	DATE 2013-07-01

THIS DOCUMENT IS SUBJECT TO CHANGE WITHOUT NOTICE. IT IS CONFIDENTIAL AND A PROPERTY OF AMPHENOL LTW. DISCLOSURE TO THIRD PARTY HAS TO BE AUTHORIZED BY AMPHENOL LTW.