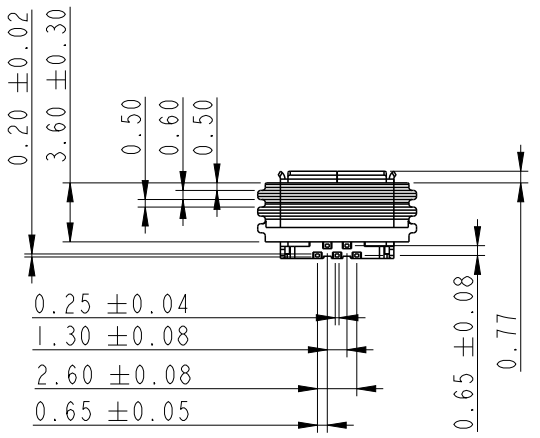
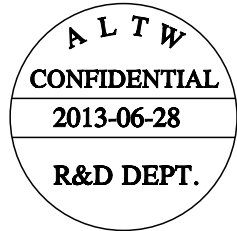
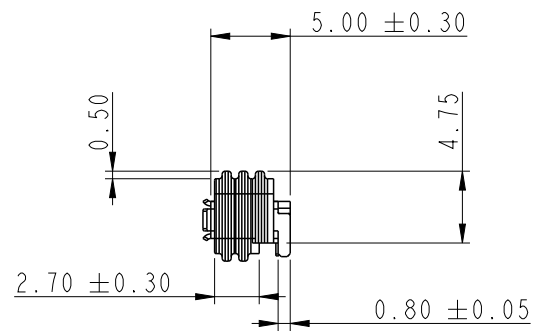
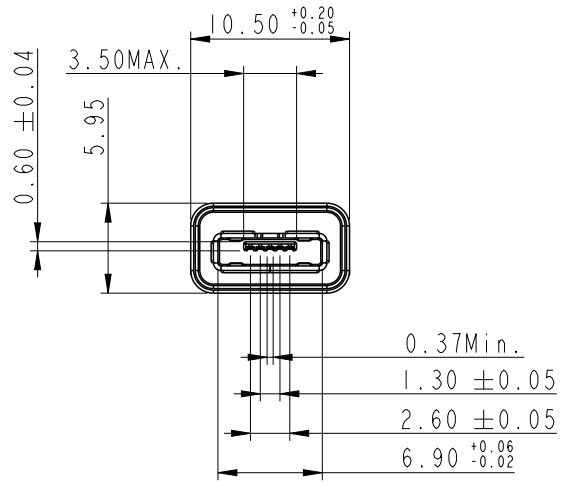


REV.	ECN NO.	DATE	SIGN	DESCRIPTION
02		2013-06-28	Gear	Change View.



- Note:
- * (CC) Important Dimensions To Check.
 - * Current (電流): 1-5pin 1.8A, 2-3 & 4 pin 1A.
 - * Waterproof Rate (防水等級): IP-67 Unmating (單顆防水)
 - * Housing (膠芯): LCP Black (黑)
 - * Terminal (端子): Copper (銅合金), Gold Plating (鍍金)
 - * Shell (外殼): Stainless (不鏽鋼), Nickel Plating (鍍銀)
 - * Inner Gasket (內墊圈): TPR White (白色)
 - * Outside Gasket (外墊圈): TPR White (白色)
 - * Flame Class (防火等級): UL94V-0

UNIT: mm		
TOLERANCE	.X ±0.25	
	.XX ±0.1	
	.XXX ±0.05	
ANGLES	±1°	

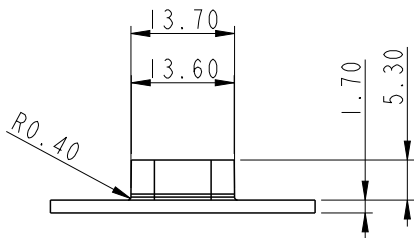
TITLE Micro USB DIP Thick.		
SCALE 2:1	SIZE A4	SHEET 1 OF 3
REV. 02	WC-REV. A.3	CC: Inspection item

Amphenol LTW
安費諾亮泰企業股份有限公司

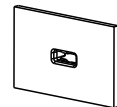
ITEM NO. MUC-20PFFR-JS8004	DRAWN BY Gear_fan	DATE 2013-06-28
DWG NO. MUC-20PFFR-JS8004	CHECKED BY Tony	DATE 2013-06-28
CUSTOMER ALTW	APPROVED BY Victor	DATE 2013-06-28

THIS DOCUMENT IS SUBJECT TO CHANGE WITHOUT NOTICE. IT IS CONFIDENTIAL AND A PROPERTY OF Amphenol LTW. DISCLOSURE TO THIRD PARTY HAS TO BE AUTHORIZED BY Amphenol LTW.

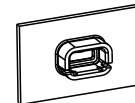
REV.	ECN NO.	DATE	SIGN	DESCRIPTION



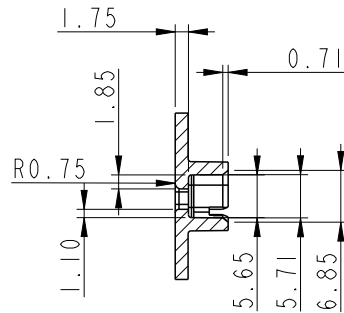
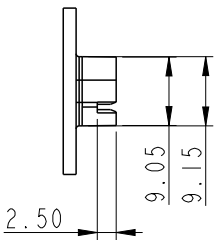
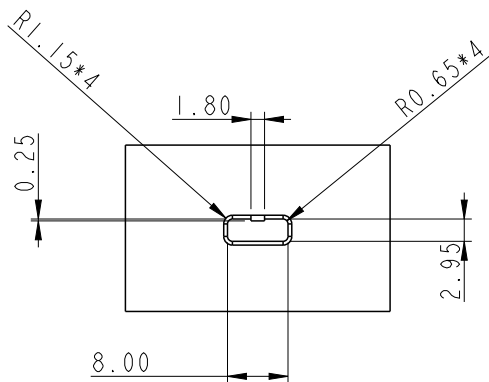
ALTW
CONFIDENTIAL
 2013-06-28
R&D DEPT.



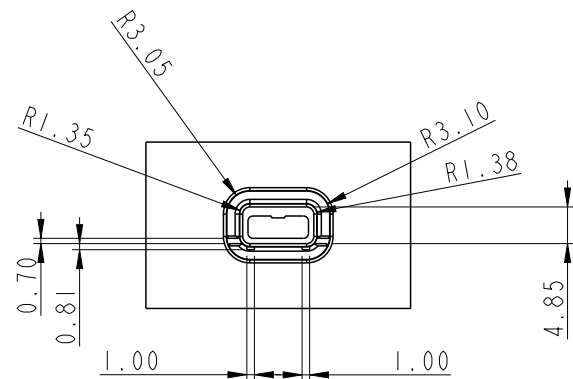
比例 1:2
3D View.



比例 1:2
3D View.

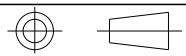


截面 K-K



Recommended Shell.

UNIT: mm



TITLE Micro USB DIP Thick.			
SCALE 2:1	SIZE A4	SHEET 2 OF 3	
REV. 02	WC-REV. A.3	☉: Inspection item	

Amphenol LTW
 安費諾亮泰企業股份有限公司

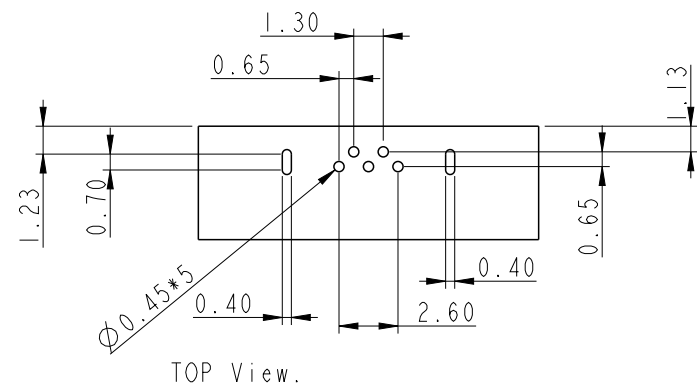
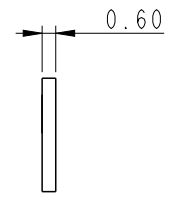
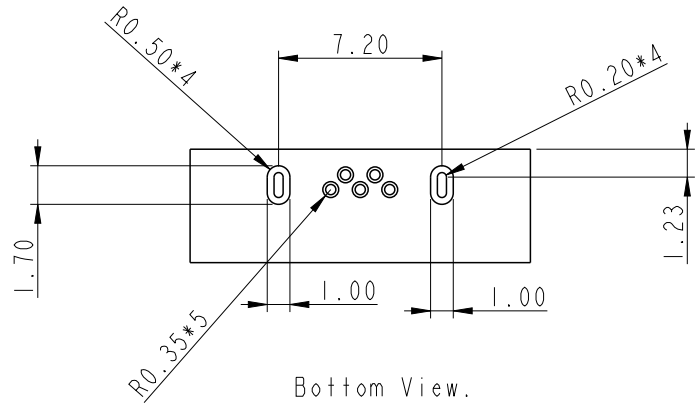
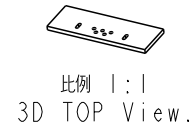
ITEM NO. MUC-20PFFR-JS8004	DRAWN BY Gear_fan	DATE 2013-06-28
DWG NO. MUC-20PFFR-JS8004	CHECKED BY Tony	DATE 2013-06-28
CUSTOMER ALTW	APPROVED BY Victor	DATE 2013-06-28

THIS DOCUMENT IS SUBJECT TO CHANGE WITHOUT NOTICE. IT IS CONFIDENTIAL AND A PROPERTY OF Amphenol LTW. DISCLOSURE TO THIRD PARTY HAS TO BE AUTHORIZED BY Amphenol LTW.

THIS DOCUMENT IS SUBJECT TO CHANGE WITHOUT NOTICE. IT IS CONFIDENTIAL AND A PROPERTY OF Amphenol LTW. DISCLOSURE TO THIRD PARTY HAS TO BE AUTHORIZED BY Amphenol LTW.

REV.	ECN NO.	DATE	SIGN	DESCRIPTION

ALTW
CONFIDENTIAL
 2013-06-28
R&D DEPT.



Recommended PCB Layout.

UNIT:mm		
TOLERANCE	.X ±0.25	
.XX ±0.05		
.XXX ±0.02		
ANGLES	±1°	

TITLE Micro USB DIP Thick.		
SCALE 3:1	SIZE A4	SHEET 3 OF 3
REV. 02	WC-REV. A.5	Inspection item

Amphenol LTW
安費諾亮泰企業股份有限公司

ITEM NO MICRO_USB_THICK_SHELL	DRAWN BY Gear_fan	DATE 2013-06-28
DWG NO Micro_USB_Thick_Shell	CHECKED BY Tony	DATE 2013-06-28
CUSTOMER TBD	APPROVED BY Victor	DATE 2013-06-28

DATE 2013-06-28
DATE 2013-06-28
DATE 2013-06-28