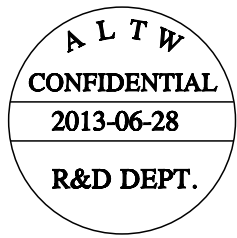
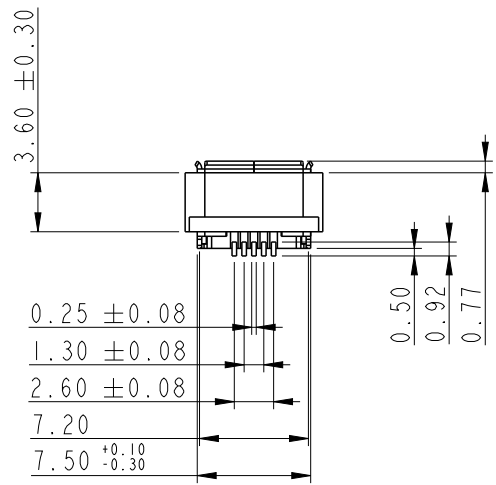
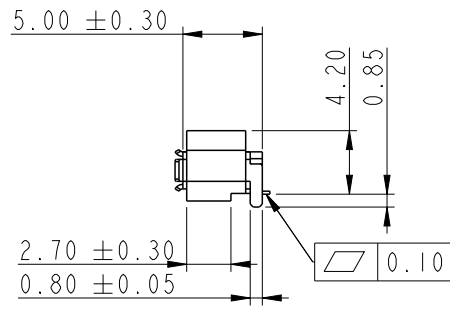
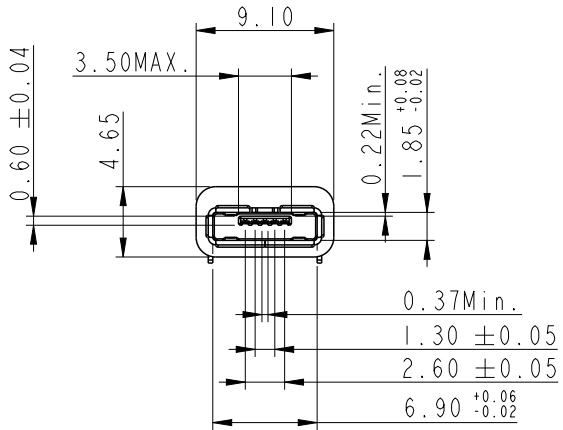


REV.	ECN NO.	DATE	SIGN	DESCRIPTION
02		2013-06-28	Gear	Change View.

THIS DOCUMENT IS SUBJECT TO CHANGE WITHOUT NOTICE. IT IS CONFIDENTIAL AND A PROPERTY OF AMPHENOL LTW. DISCLOSURE TO THIRD PARTY HAS TO BE AUTHORIZED BY AMPHENOL LTW.



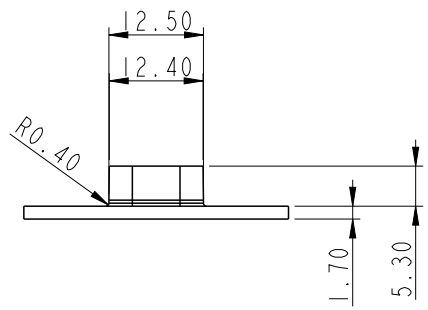
- Note:
- \* (⊕) Important Dimensions To Check.
  - \* Current (電流): 1·5pin 1.8A·2·3 & 4 pin 1A·
  - \* Waterproof Rate (防水等級): IP-67 Unmating (單顆防水)
  - \* Housing (膠芯): LCP Black (黑)
  - \* Terminal (端子): Copper (銅合金)·Gold Plating (鍍金)
  - \* Shell (外殼): Stainless (不鏽鋼)·Nickel Plating (鍍鎳)
  - \* Inner Gasket (內墊圈): TPR White (白色)
  - \* Outside Gasket (外墊圈): TPR White (白色)
  - \* Flame Class (防火等級): UL94V-0

UNIT: mm			TITLE Micro USB SMD Thin
TOLERANCE .X ±0.25 .XX ±0.1 .XXX ±0.05 ANGLES ±1°	SCALE 2:1	SIZE A4	SHEET 1 OF 3
	REV. 02	WC-REV. A.3	⊕: Inspection item

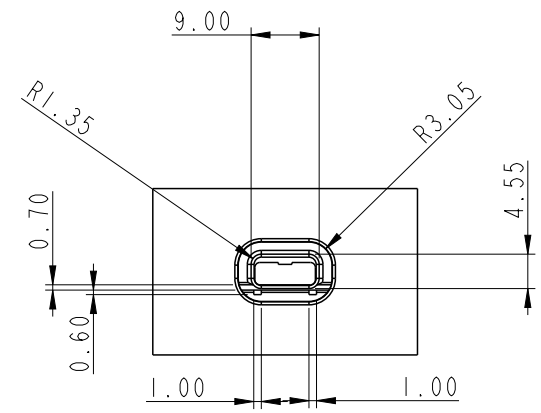
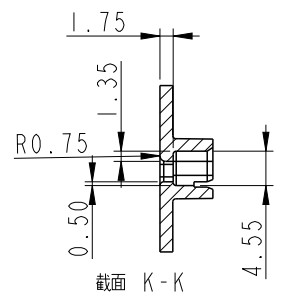
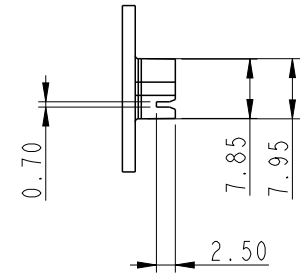
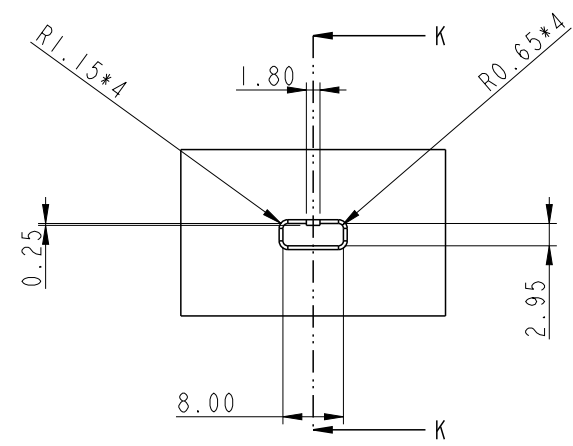
**Amphenol LTW**  
安費諾亮泰企業股份有限公司

ITEM NO. MUC-20PFFR-JS8003	DRAWN BY Gear_fan	DATE 2013-06-28
DWG NO. MUC-20PFFR-JS8003	CHECKED BY Tony	DATE 2013-06-28
CUSTOMER ALTW	APPROVED BY Victor	DATE 2013-06-28

REV.	ECN NO.	DATE	SIGN	DESCRIPTION



ALTW  
CONFIDENTIAL  
2013-06-28  
R&D DEPT.



Recommended Shell.

UNIT:mm		
TOLERANCE	.X ±0.25	.XX ±0.05
	.XXX ±0.02	ANGLES ±1°

TITLE Micro USB SMD Thin.			
SCALE 2:1	SIZE A4	SHEET 2 OF 3	
REV. 02	WC-REV. A.3	☉: Inspection item	

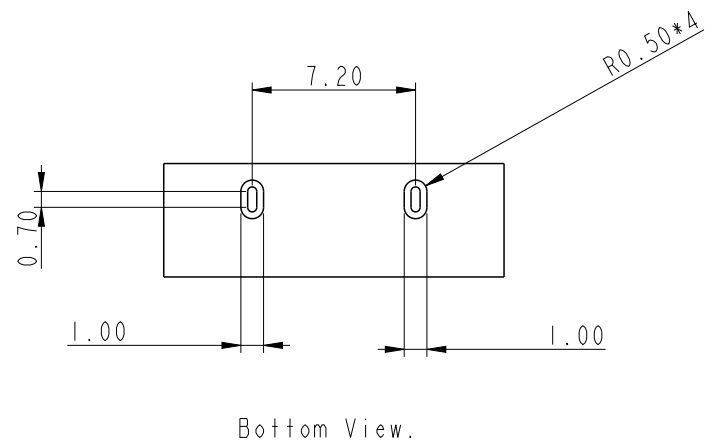
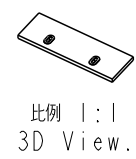
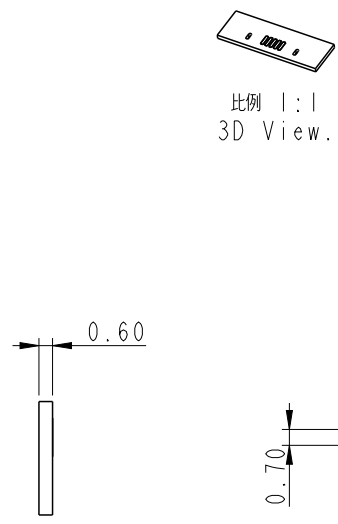
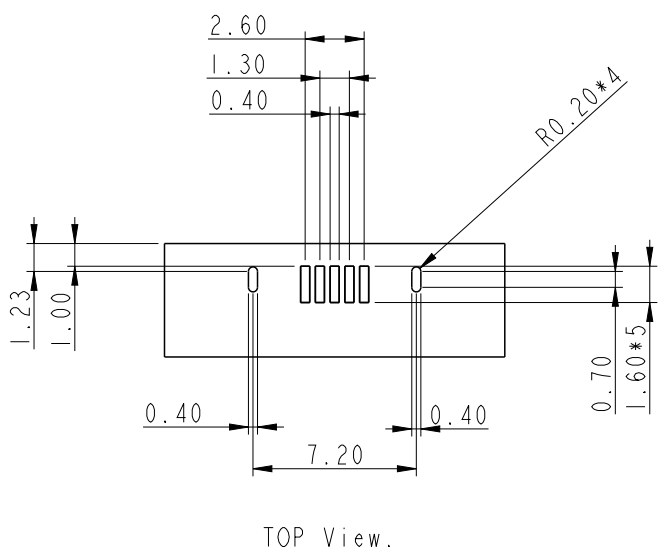
**Amphenol LTW**  
安費諾亮泰企業股份有限公司

ITEM NO. MUC-20PFFR-JS8003	DRAWN BY Gear_fan	DATE 2013-06-28
DWG NO. MUC-20PFFR-JS8003	CHECKED BY Tony	DATE 2013-06-28
CUSTOMER ALTW	APPROVED BY Victor	DATE 2013-06-28

THIS DOCUMENT IS SUBJECT TO CHANGE WITHOUT NOTICE. IT IS CONFIDENTIAL AND A PROPERTY OF Amphenol LTW. DISCLOSURE TO THIRD PARTY HAS TO BE AUTHORIZED BY Amphenol LTW.

REV.	ECN NO.	DATE	SIGN	DESCRIPTION

**ALTW**  
**CONFIDENTIAL**  
**2013-06-28**  
**R&D DEPT.**



Recommended PCB Layout.

UNIT: mm		
TOLERANCE	.X ±0.25	
	.XX ±0.05	
	.XXX ±0.02	
ANGLES	±1°	

TITLE Micro USB SMD Thin		
SCALE 3:1	SIZE A4	SHEET 3 OF 3
REV. 02	WC-REV. A.3	Inspection item

**Amphenol LTW**  
**安費諾亮泰企業股份有限公司**

ITEM NO CRO_USB_SMD_THIN_SHE	DRAWN BY L Gear_fan	DATE 2013-06-28
DWG NO Micro_USB_SMD_Thin_She	CHECKED BY I Tony	DATE 2013-06-28
CUSTOMER TBD	APPROVED BY Victor	DATE 2013-06-28

THIS DOCUMENT IS SUBJECT TO CHANGE WITHOUT NOTICE. IT IS CONFIDENTIAL AND A PROPERTY OF Amphenol LTW. DISCLOSURE TO THIRD PARTY HAS TO BE AUTHORIZED BY Amphenol LTW.