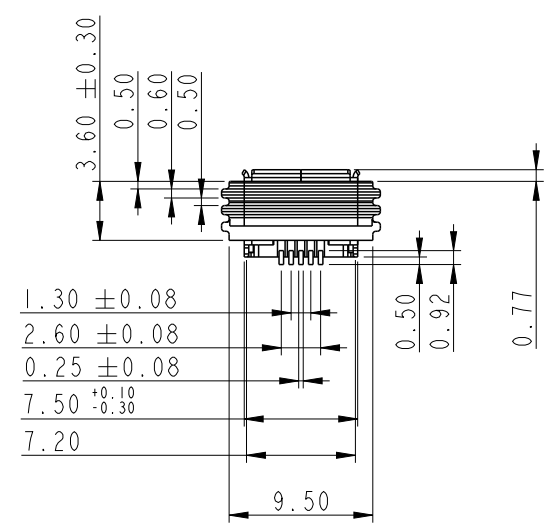
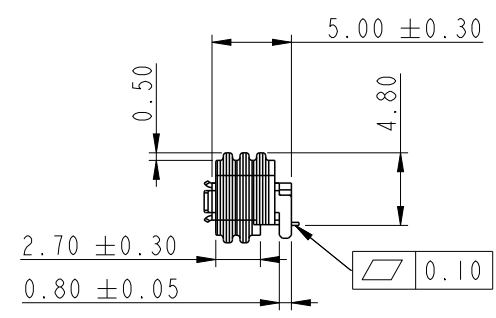
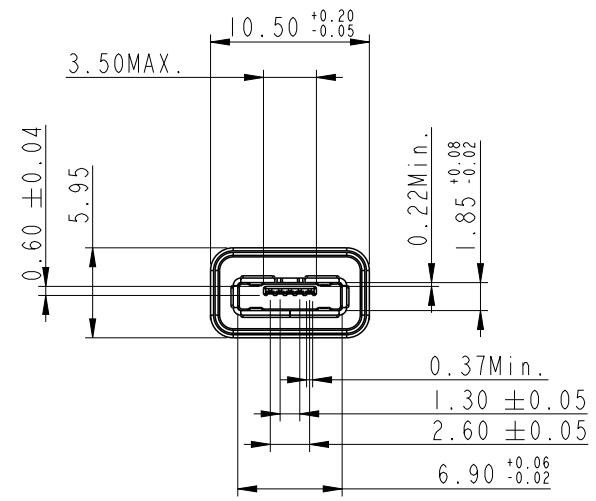
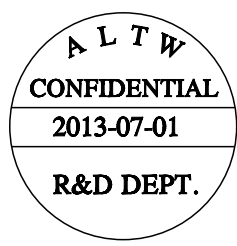


THIS DOCUMENT IS SUBJECT TO CHANGE WITHOUT NOTICE. IT IS CONFIDENTIAL AND A PROPERTY OF AMPHENOL LTW. DISCLOSURE TO THIRD PARTY HAS TO BE AUTHORIZED BY AMPHENOL LTW.

REV.	ECN NO.	DATE	SIGN	DESCRIPTION
02		2013-06-26	Gear	Change View.
03		2013-07-01	Gear	Waterproof Rate Change.



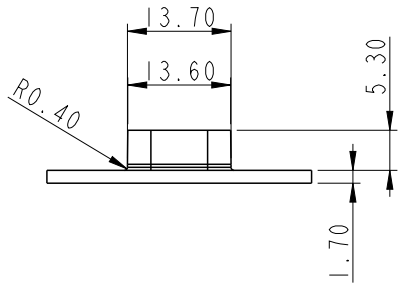
- Note:
- \* Ⓞ Important Dimensions To Check.
  - \* Current ( 電流 ): 1-5pin 1.8A, 2-3 & 4 pin 1A.
  - \* Waterproof Rate ( 防水等級 ): IP-67 Unmating ( 單顆防水 )
  - \* Housing ( 膠芯 ): LCP Black ( 黑 )
  - \* Terminal ( 端子 ): Copper ( 銅合金 ), Gold Plating ( 鍍金 )
  - \* Shell ( 外殼 ): Stainless ( 不銹鋼 ), Nickel Plating ( 鍍鎳 )
  - \* Inner Gasket ( 內墊圈 ): TPR White ( 白色 )
  - \* Outside Gasket ( 外墊圈 ): TPR White ( 白色 )
  - \* Flame Class ( 防火等級 ): UL94V-0



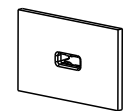
UNIT: mm		TITLE Micro USB SMD Thick			<h1>Amphenol LTW</h1> <p>安費諾亮泰企業股份有限公司</p>	ITEM NO. MUC-20PFFR-JS8001	DRAWN BY Gear_fan	DATE 2013-07-01
		TOLERANCE .X ±0.25 .XX ±0.1 .XXX ±0.05 ANGLES ±1°	SCALE 2:1	SIZE A4		SHEET 1 OF 3	DWG NO. MUC-20PFFR-JS8001	CHECKED BY Tony
		REV. 02	WC-REV. A.4	☉: Inspection item	CUSTOMER ALTW	APPROVED BY Victor	DATE 2013-07-01	

A B C D E F

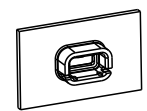
REV.	ECN NO.	DATE	SIGN	DESCRIPTION



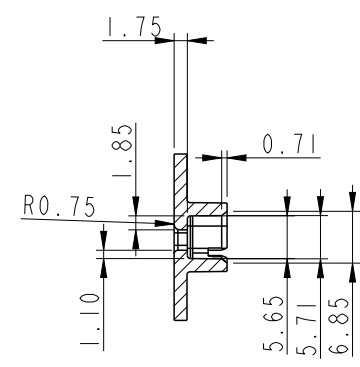
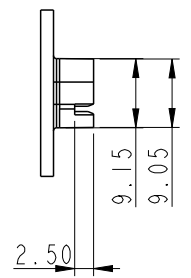
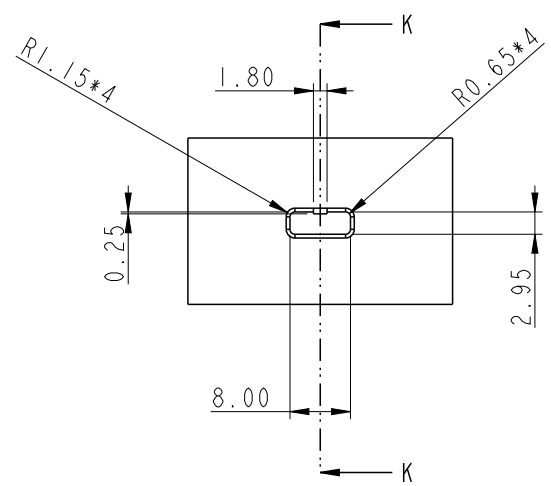
**ALTW**  
**CONFIDENTIAL**  
**2013-07-01**  
**R&D DEPT.**



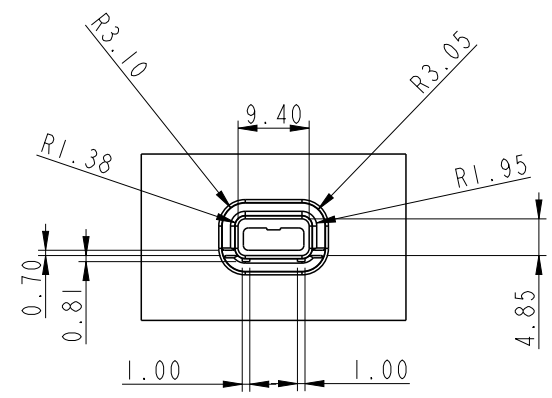
比例 1:2  
3D View 1



比例 1:2  
3D View 2



截面 K-K



Recommended Shell.

UNIT: mm		
TOLERANCE	.X ±0.25	
	.XX ±0.05	
	.XXX ±0.02	
ANGLES	±1°	

TITLE Micro USB SMD Thick			
SCALE 2:1	SIZE A4	SHEET 2 OF 3	
REV. 02	WC-REV. A.4	☉: Inspection item	

**Amphenol LTW**  
**安費諾亮泰企業股份有限公司**

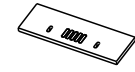
ITEM NO. MUC-20PFFR-JS8001	DRAWN BY Gear_fan	DATE 2013-07-01
DWG NO. MUC-20PFFR-JS8001	CHECKED BY Tony	DATE 2013-07-01
CUSTOMER ALTW	APPROVED BY Victor	DATE 2013-07-01

DATE 2013-07-01
DATE 2013-07-01
DATE 2013-07-01

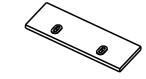
THIS DOCUMENT IS SUBJECT TO CHANGE WITHOUT NOTICE. IT IS CONFIDENTIAL AND A PROPERTY OF Amphenol LTW. DISCLOSURE TO THIRD PARTY HAS TO BE AUTHORIZED BY Amphenol LTW.

REV.	ECN NO.	DATE	SIGN	DESCRIPTION

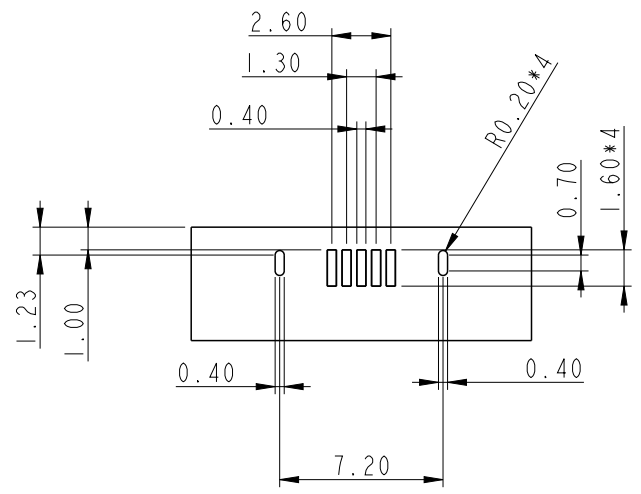
**ALTW**  
**CONFIDENTIAL**  
 2013-07-01  
**R&D DEPT.**



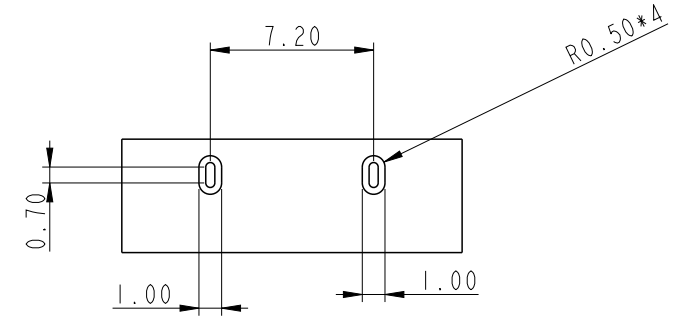
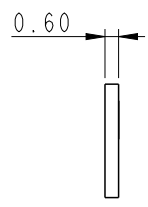
比例 1:1  
3D View 1



比例 1:1  
3D View 2



TOP View.



Bottom View.

Recommended PCB Layout.

UNIT:mm		
TOLERANCE	.X ±0.25	.XX ±0.05
	.XXX ±0.02	ANGLES ±1°

TITLE Micro USB SMD Thick		
SCALE 3:1	SIZE A4	SHEET 3 OF 3
REV. 02	WC-REV. A.5	Inspection item

**Amphenol LTW**  
 安費諾亮泰企業股份有限公司

ITEM NO MICRO_USB_THICK_SHELL	DRAWN BY Gear_fan	DATE 2013-07-01
DWG NO Micro_USB_Thick_Shell	CHECKED BY Tony	DATE 2013-07-01
CUSTOMER TBD	APPROVED BY Victor	DATE 2013-07-01

THIS DOCUMENT IS SUBJECT TO CHANGE WITHOUT NOTICE. IT IS CONFIDENTIAL AND A PROPERTY OF Amphenol LTW. DISCLOSURE TO THIRD PARTY HAS TO BE AUTHORIZED BY Amphenol LTW.