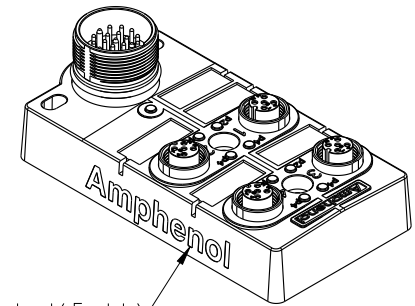
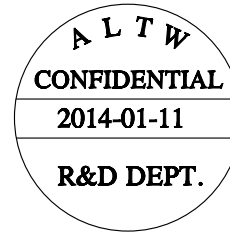
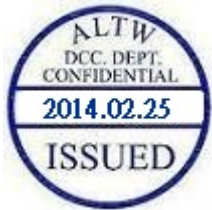
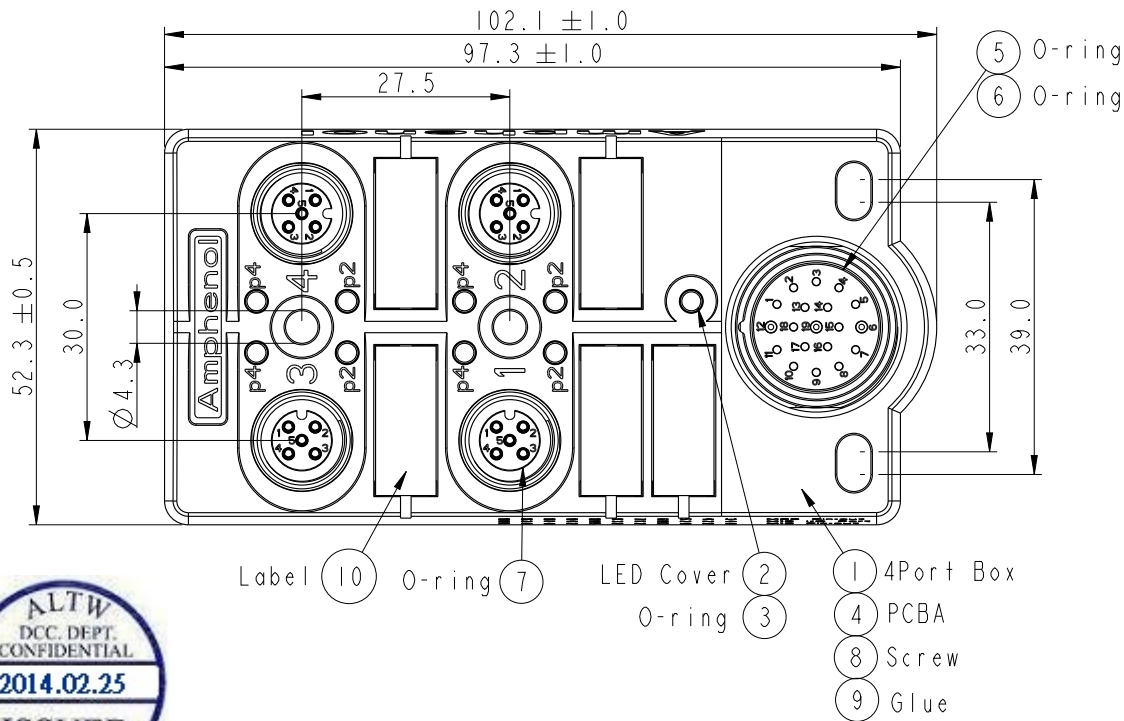


REV.	ECN NO.	DATE	SIGN	DESCRIPTION

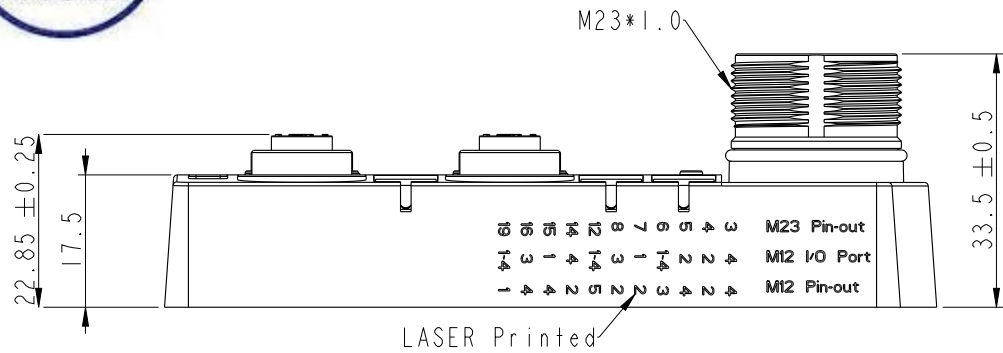


LASER Printed(Full)

- Note:
- Electrical:
- * Voltage: 10~30V DCMax.
 - * Current per Port: 4A
 - * Current Sum Max.: 12A
 - * Power indicator: 1*LED, Green
 - * Function Indicator: 8* LED Yellow
 - * Sensor Connections: M12*1, 5-pole Female
 - * Switching Output: PNP

- Mechanical :
- * Homerun Connector: M23
 - * Connector Housing Material: PA66,Nylon+GF
 - * Box Material: PBT+PC
 - * Contact Material: Copper Alloy
 - * Contact Finish: Gold plated
 - * No. of Ports: 4
 - * Style: M12*1
 - * Mounting type: 2 * M4

- Environmental:
- * Operating Temperature : -25°C~+90°C
 - * Waterproof Rate: IP67 (Unmated)
 - * Oil Resistant.



LASER Printed

UNIT:mm		
TOLERANCE	.X ±0.25	
	.XX ±0.1	
	.XXX ±0.05	
ANGLES	±1°	

TITLE M12 Distribution Box 4Port, M23			
SCALE 1:1	SIZE A4	SHEET 1 OF 2	
REV. A	WC-REV. A.4	QC: Inspection item	

Amphenol LTW
安費諾亮泰企業股份有限公司

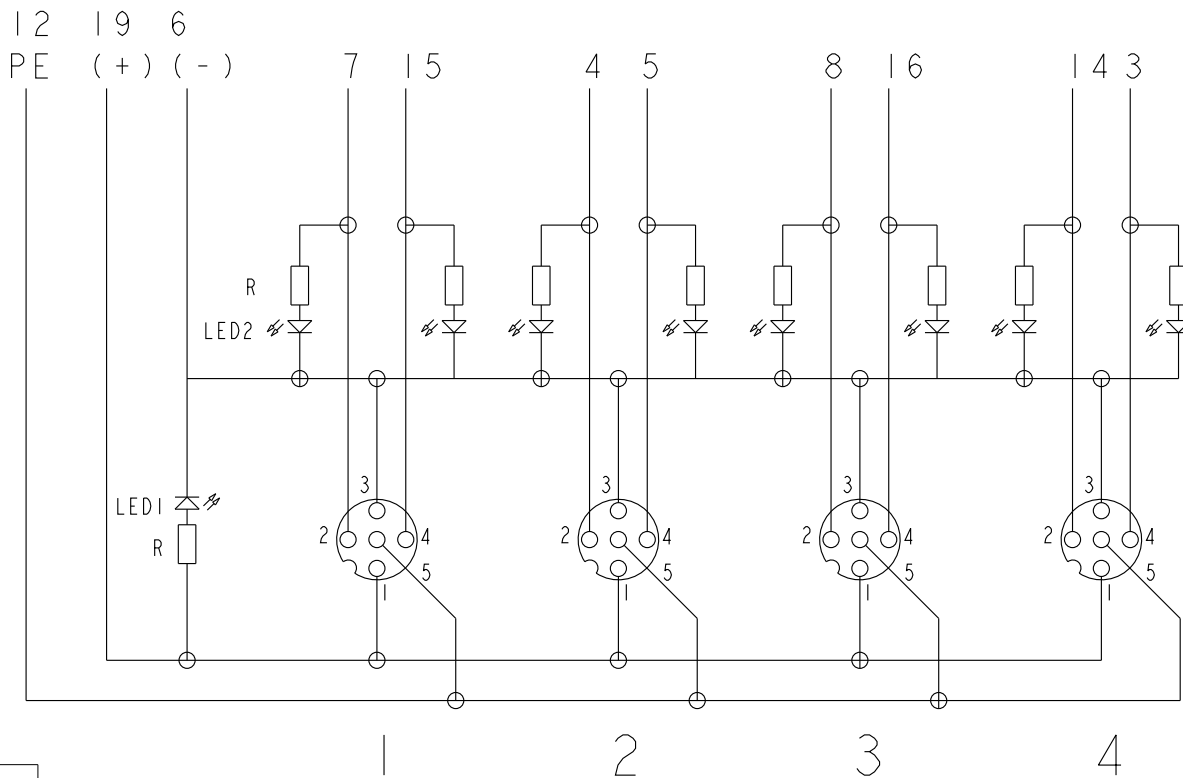
ITEM NO DB12-5A4M23-DPS7001	DRAWN BY Tony_leng	DATE 2014/01/11
DWG NO DB12-5A4M23-DPS7001	CHECKED BY Jimmy	DATE 2014/01/11
CUSTOMER ALTW	APPROVED BY Jerry	DATE 2014/01/11

THIS DOCUMENT IS SUBJECT TO CHANGE WITHOUT NOTICE. IT IS CONFIDENTIAL AND A PROPERTY OF Amphenol LTW. DISCLOSURE TO THIRD PARTY HAS TO BE AUTHORIZED BY Amphenol LTW.

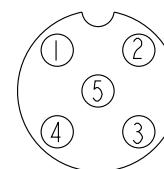
THIS DOCUMENT IS SUBJECT TO CHANGE WITHOUT NOTICE. IT IS CONFIDENTIAL AND A PROPERTY OF Amphenol LTW. DISCLOSURE TO THIRD PARTY HAS TO BE AUTHORIZED BY Amphenol LTW.

Schematic Diagram

M23 Homerun Connector

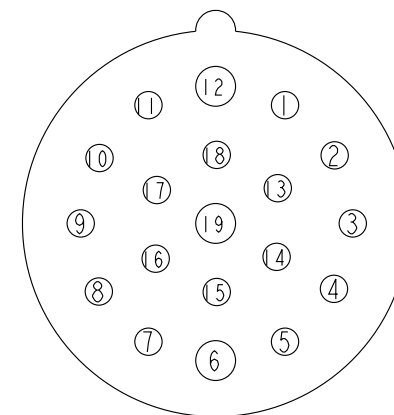


Parts
 LED1: Green
 LED2: Yellow
 R: Resistor



M12

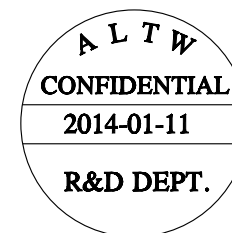
I/O Ports
 Pin1: +V
 Pin2: NC
 Pin3: -V
 Pin4: NO
 Pin5: PE



M23

M12 I/O Ports

16	3	4
15	1	4
14	4	2
8	3	2
7	1	2
5	2	4
4	2	2
3	4	4
19(+V)	1-4	1
6(-V)	1-4	3
12(PE)	1-4	5
M23 Pin	Port	M12 Pin



UNIT: mm	
TOLERANCE	
.X	±0.25
.XX	±0.1
.XXX	±0.05
ANGLES	±1°

TITLE M12 Distribution Box 4Port, M23			
SCALE 1:1	SIZE A4	SHEET 2 OF 2	
REV. A	WC-REV. A.4	Ⓞ: Inspection item	

Amphenol LTW
 安費諾亮泰企業股份有限公司

ITEM NO DB12-5A4M23-DPS7001	DRAWN BY Tony_leng	DATE 2014/01/11
DWG NO DB12-5A4M23-DPS7001	CHECKED BY Jimmy	DATE 2014/01/11
CUSTOMER ALTW	APPROVED BY Jerry	DATE 2014/01/11