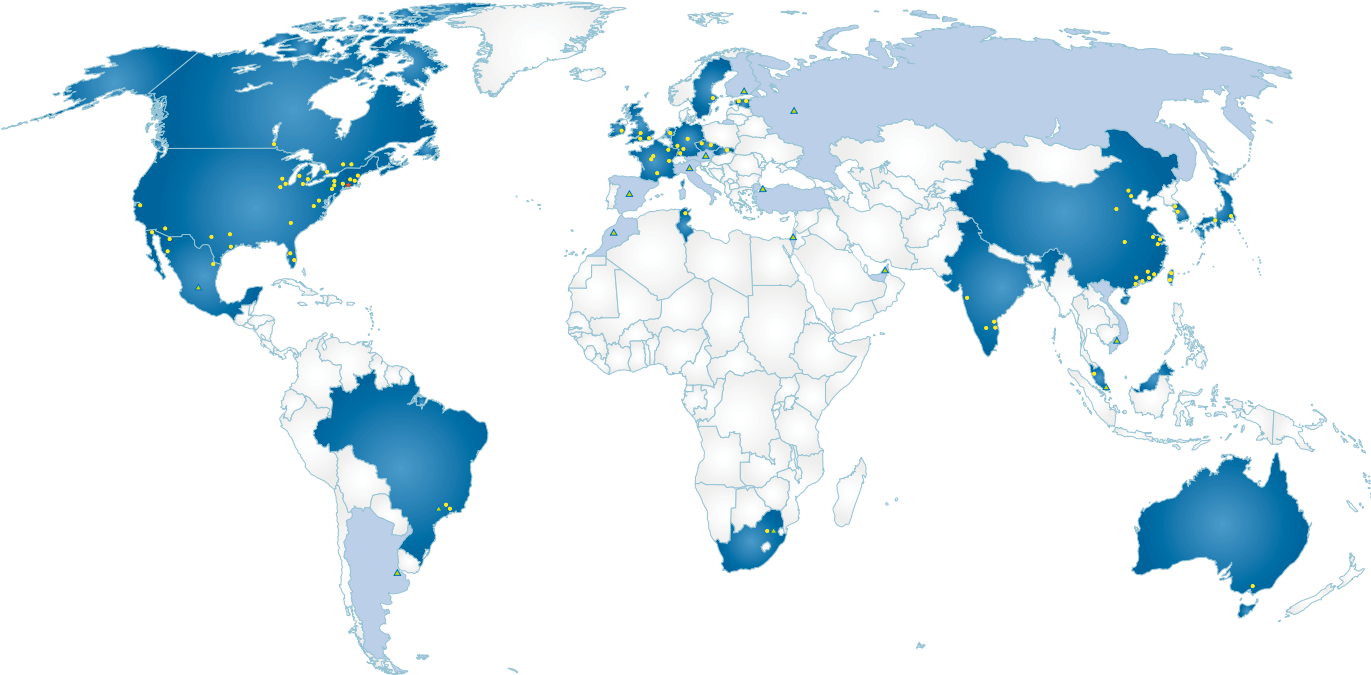




CATALOGUE

Amphenol Group | Global Presence



Sales, R&D, and Manufacturing on 6 continents
 79% of workforce in low-cost countries

- = MANUFACTURING OPERATIONS
- ▲ = SALES OFFICES
- ★ = HEADQUARTERS

AMERICAS

- UNITED STATES
- CANADA
- MEXICO
- BRAZIL
- ARGENTINA

EUROPE

- FRANCE
- GERMANY
- UNITED KINGDOM
- IRELAND
- THE NETHERLANDS
- CZECH REPUBLIC
- ESTONIA
- SLOVAKIA
- ITALY

- SPAIN
- SWEDEN
- NORWAY
- RUSSIA
- TURKEY
- SAUDI ARABIA
- FINLAND
- AUSTRIA

MIDDLE EAST & AFRICA

- TUNISIA
- SOUTH AFRICA
- UNITED ARAB EMIRATES
- ISRAEL

ASIA & PACIFIC

- TAIWAN
- CHINA
- HONG KONG
- JAPAN
- KOREA
- PHILIPPINES
- MALAYSIA
- SINGAPORE
- INDIA
- AUSTRALIA
- VIETNAM

Amphenol LTW | Global Service



We listen to your needs.

Amphenol LTW Technology Co., Ltd. (Headquarters)

9F., No.657-12, Zhongzheng Rd., Xinzhuang Dist., New Taipei City 242, Taiwan
Telephone: +886-2-29085626 Fax: +886-2-29029787
www.amphenolltw.com

Shulin plant, Taiwan

No.10, Shutan St., Shulin Dist., New Taipei City 238, Taiwan

Kunshan plant, China

No. 62 Da Tung Road, Peng Lang Street, Kunshan City , Jiangsu Province, China
Telephone: +86-512-5761-0501
Fax: : +86-512-5761-0515

For further information, please contact :

Sales & Marketing Department | Email : sales@ltw-tech.com

Our Mission

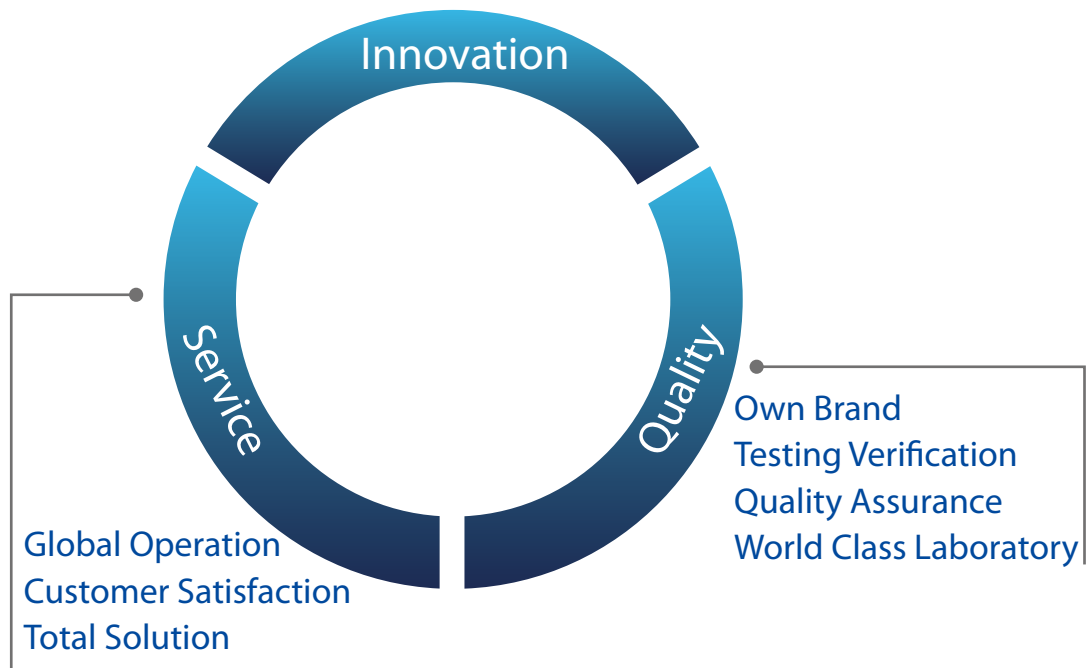
Amphenol LTW is fully committed to contributing to a safer and greener environment toward an open and friendlier world. ALTW actively and proactively become the interconnects of choice for technologically advanced products with purposes such as:

- Generating power and energies from renewable sources
- Protecting, conserving, saving and better managing resources
- Warning and preventing natural disasters such earthquakes, tsunamis, landslides, flooding...
- Lighting up buildings, residences, streets and factories at lowest possible costs in the most efficiently and environmental friendly ways
- Detecting, monitoring and managing goods and people for seamless flow and exchanges around the world
- Enabling higher speed and broadband communications and telecommunications
- Producing higher yield of crops and maximizing the use of scarce “agricultural” lands
- Accelerating the proliferation of organic crops
- Delivering safe and quality food
- Preventing shortage of food and enabling the production of sufficient food
- Enabling higher productivities in farms while enhancing qualities of produces
- Allowing higher productivities and efficiencies in factories and industries
- Facilitating automation and reducing labor costs and risks
- Making biotechnologies a reality and common place in tomorrow’s world
- Ensuring life-saving products available whenever and wherever they are much needed
- Facilitating the “rugged revolution” in mobile world

Amphenol LTW is the innovator and solution provider for products to be used harsh and rugged environments.

Create Company’s Profile and New Industry Orientation by Innovation & Differentiation

Research Innovation
R&D Management
Technology Foundation



Our History

LTW Technology Co., Ltd, established in March 1993, is the innovator and solution provider for all products that are to be used in harsh and rugged environments indoor or outdoor.

In April 2010, Amphenol Corp (NYSE: APH) acquired LTW Technology (“ALTW”) which become Amphenol LTW Technology Co., Ltd.

Amphenol LTW Technology is the leader in rugged and harsh environment interconnects with largest array of I/O and products ranging from IP65 to IP69K. ALTW continuously provides innovative products and solutions for an ever demanding environment with patents covering China, Taiwan, Japan, South Korea, Europe and North America, etc...

Together with our customers, ALTW participate and contribute to a better world, greener and safer environment.

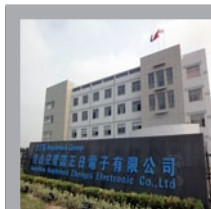
Amphenol LTW

LTW®



1993
Established

2000
Opened Kun Shan
Zhrengri
(KSZ)Electronics
in Kunshan, China



2002
LTW moved to
Shinjuang
City, Taipei.

2004
KSZ expanded plant
to 17,000 sqm.



2006
Established 2nd
Factory in Taipei
with CNC
Automatic Lathe &
Automation Center



2008
Taiwan Small &
Medium Enterprise
Innovation Award

Innovation Research
Award

2010
LTW was acquired by
Amphenol Group in
April of 2010

Circular Connector

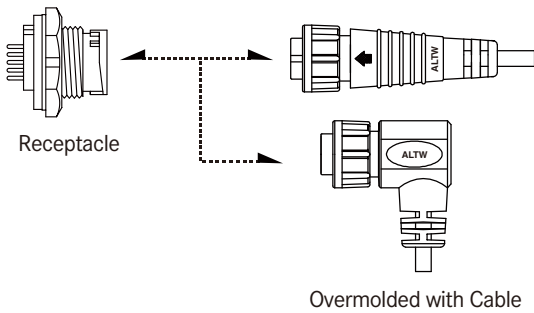




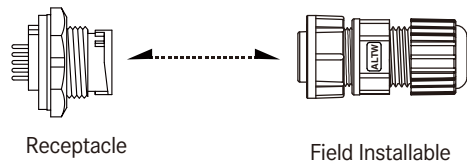


Range Overview

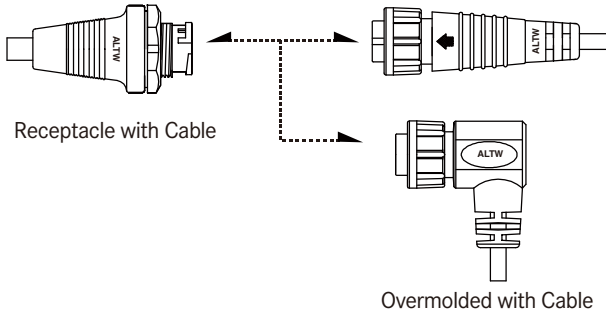
∟ Receptacle To Overmolded with Cable



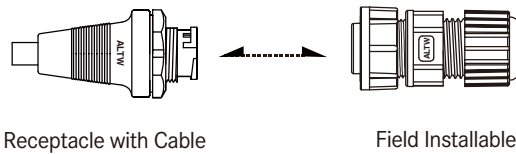
∟ Receptacle To Field Installable



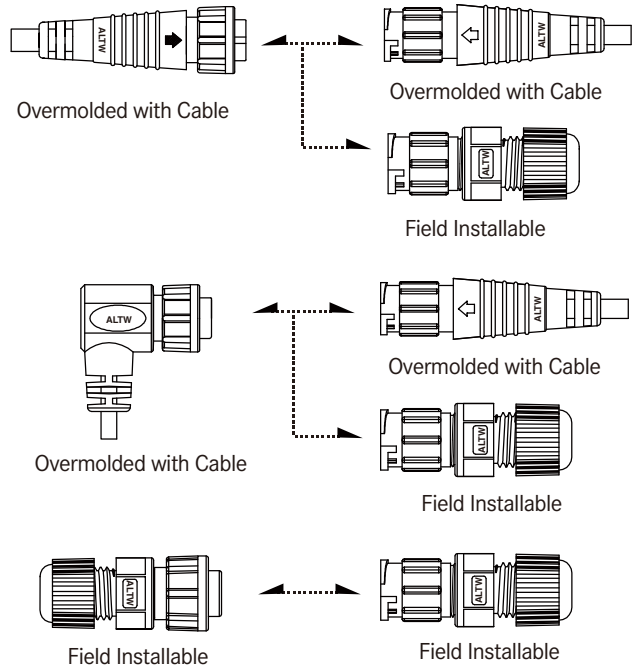
∨ Receptacle with Cable to Overmolded with Cable



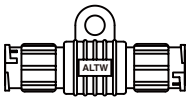
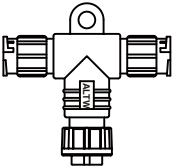
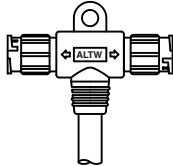

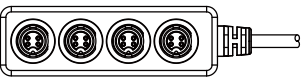
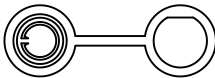

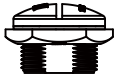
∨ Receptacle with Cable to Field Installable



∨ In Line



∨ Accessories

			
I Adaptor See page 21-7	T Adaptor See page 21-4	T Cable See page 21-1	Tool See page 21-22
			
Extension See page 21-19	Dust Cap See page 21-9	Waterproof Cap See page 21-11	Dummy See page 21-18

【Note】 Design and specification are subject to change without notice.

Specification

Identifications	A Size (Mini Size: 7/16"-28 UNS) B Size (Standard Size: 5/8"-27 UNS) C Size (Middle Size: 13/16"-28 UNS) D Size (Large Size: 1"-20 UNEF) E Size (Macro Size: 1 3/16" -20 UNS)
Description	Receptacle Receptacle with cable Overmolded with Cable Field Installable
Current Rating / Data	2A, 5A, 10A, 20A, 5A+2A, 10A+2A, 10A+5A, 20A+2A, 20A+5A
Material	Contacts: Copper Alloy, Gold Plated Connector Body (Housing) : Nylon+GF, UL Recognized
Waterproof Rating	IP66~68
Temperature Range	Receptacle: -40°C~105°C Receptacle with cable: -20°C~80°C Overmolded with Cable: -20°C~80°C Field installable: -40°C~105°C
Contact Resistance	≤ 10mΩ
Insulation Resistance	≥ 100MΩ at DC500V
Durability	1000 cycles
Breakdown Voltage	≥ AC1000V / 1 minute
More to know	Salt Spray Corrosion Test: 48H Standard Cable Length: 01~99M

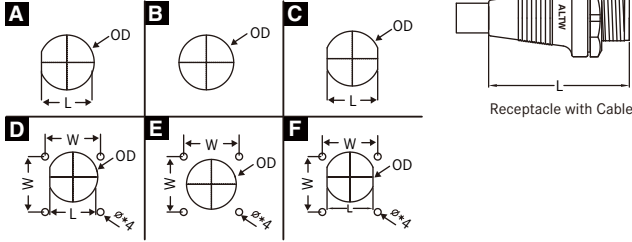
Ordering Information

1	2	3	4	5	6	7	8	9	10
Specification / Current Rating									
<u>>Mini Size</u>		<u>>Middle Size</u>		<u>>Macro Size</u>					
(AU) 2A		(CU) 2A		(ED) 5A					
(AD) 5A		(CD) 5A							
		(CB) 10A		<u>>Others</u>					
<u>>Mini Size Metal</u>		(CC) 20A		(GBD) 10A+5A (Between Standard Size & Middle Size)					
(ASU) 2A		(CDU) 5A+2A		(MAB) 10A (Equivalent to AMP)					
(ASD) 5A		(CBU) 10A+2A		(PLD) 5A (Size 12)					
		(CBD) 10A+5A							
<u>>Standard Size</u>		(CGU) 16A+2A*							
(BU) 2A		<u>>Large Size</u>							
(BD) 5A		(DU) 2A							
(BB) 10A		(DD) 5A							
(BDU) 5A+2A		(DC) 20A							
(BBD) 10A+5A		(DCU) 20A+2A							
<u>>Standard Size Metal</u>		(DCD) 20A+5A							
(BSU) 2A		(DCB) 20A+10A*							
(BSD) 5A		<u>>Large Size Metal</u>							
(BSB) 10A		(DSD) 5A							
* Coming soon									
Number of Contacts									
02, 03.....									
EX. (02) = 2 Contacts									
Connector Body (Style)									
<u>> For Receptacle</u>			<u>> For Overmolded with Cable</u>			<u>> For Field installable</u>			
(P) Front Fastened			(A) With Strain Relief			(B) Without Strain Relief			
(R) Rear Fastened			(B) Without Strain Relief						
Connector (Housing) Gender									
(M) Male Connector					(F) Female Connector				
Contact Gender									
(M) Male					(D) Female (Power) + Male (Signal)				
(F) Female					(E) Male (Power) + Female (Signal)				
Assemble Style									
<u>> For Receptacle</u>			<u>> For Overmolded with Cable</u>						
(S) Solder Type			(M) Overmolded with Cable						
(B) Screw in Type			<u>> For Field Installable</u>						
(P) 180° PCB Type			(A) Field installable (Solder)						
(R) 90° PCB Type			(B) Screw in Type						
Mating Style									
(L) 2 Points Lock Bayonet					(T) 3 Points Lock Bayonet				
(S) Screw Thread					(Q) Push Lock				
Backshell									
<u>> For Receptacle</u>			<u>> For Overmolded with Cable</u>			<u>> For Field Installable</u>			
(C) Circular			(L) Straight			(L) Straight			
(S) Square			(R) Right Angle						
Waterproof Rating									
(6) IP 66									
(7) IP 67									
(8) IP 68									
More Information									
(C00) Similar Standard with TC-ER Cable			<u>> For Overmolded with Cable</u>						
			(□)+(■) : Cable Type + Cable Length						
			EX. (A01) = UL2464 Cable + 1M						
<u>> For Receptacle</u>			(□) : Cable Type			(■) : Cable Length			
(001), (002).....			(A) UL2464 Cable			From 1M to 99M			
Without Cable : Different Versions			(B) UL2586 Cable			EX. (01) = 1M			
			(C) Power Cable(TC-ER)						

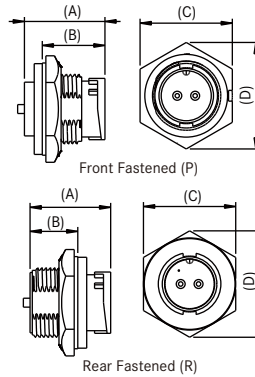
【Note】 Design and specification are subject to change without notice.

Physical Dimension

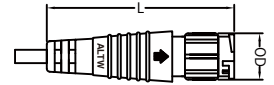
Receptacle Panel Cut-Out



Connector Dimension



Overmolded with Cable



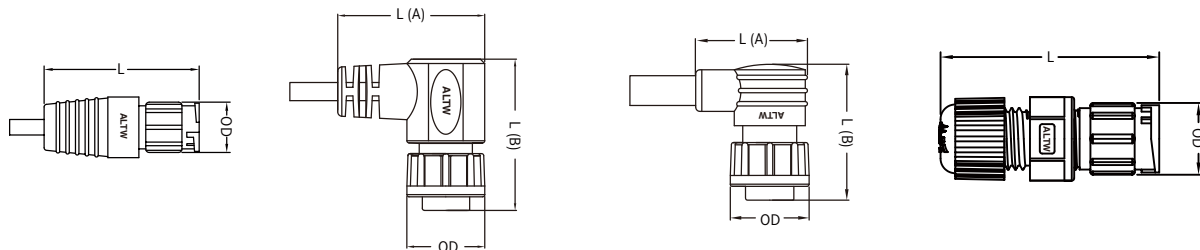
with Strain Relief / Straight

Current Rating		Dimension		Type	L / W	OD	φ	L (Connector Body)
Size	Metal	Connector Gender	Male					
Mini Size	-	2A(AU)	A	10.4	10.9	-	-	40.5
	-	2A(ASU)	D	10.4 / 12.7	10.9	3.05	-	-
	Metal	2A(ASU)	D	10.4 / 12.7	10.9	3.05	-	-
	-	5A(AD)	A	10.4	10.9	-	-	40.5
-	Metal	5A(ASD)	D	10.4 / 12.7	10.9	3.05	-	-
Standard Size	-	2A(BU)	A	14.8	15.6	-	-	42.6
	Metal	2A(BSU)	B	-	15.6	-	-	-
	-	2A(BSU)	C	14.0	16.0	-	-	-
	-	5A(BD)	A	14.8	15.6	-	-	42.6
	Metal	5A(BSD)	B	-	15.6	-	-	-
	Metal	5A(BSD)	E	16.0	15.6	3.1	-	-
	-	5A+2A(BDU)	A	14.8	15.6	-	-	42.6
	-	10A(BB)	A	14.8	15.6	-	-	42.6
	Metal	10A(BSB)	C	14.1	15.6	-	-	-
	-	10A+5A(BBD)	A	14.8	15.6	-	-	42.6
Middle Size	-	2A(CU)	A	19.4	20.8	-	-	-
	-	5A(CD)	A	19.4	20.8	-	-	47.0
	-	5A+2A(CDU)	A	19.4	20.8	-	-	-
	-	10A(CB)	A	19.4	20.8	-	-	47.0
	-	10A+2A(CBU)	A	19.4	20.8	-	-	-
	-	10A+5A(CBD)	A	19.4	20.8	-	-	59.5
	-	20A(CC)	A	19.4	20.8	-	-	47.0
Large Size	-	2A(DU)	A	23.6	25.6	-	-	-
	-	5A(DD)	A	23.6	25.6	-	-	-
	-	5A(DD)	D	23.6/24.4	25.6	3.1	-	-
	Metal	5A(DSD)	E	24.8/24.5	24.8	3.1	-	-
	Metal	5A(DSD)	F	23.2/24.5	25.6	3.1	-	-
	-	20A(DC)	A	23.6	25.6	-	-	-
	-	20A(DC)	D	23.6/24.4	25.6	3.1	-	-
	-	20A+2A(DCU)	A	23.6	25.6	-	-	-
-	20A+5A(DCD)	A	23.6	25.6	-	-	-	
Macro Size	-	5A(ED)	D	29.0/30.1	30.1	3.5	-	-
Others	-	10+5A(GBD)	-	-	-	-	-	-
	-	10A(MAB)	-	-	-	-	-	-
	-	5A(PLD)	C	11.3	12.8	-	-	-

A	B	C	D	Panel Thickness Max	
				Lock Type	Screw Type
P: 18.4 R: 18.0	P: 14.0 R: 10.8	15.7	18.1	P: 3.5 R: 5.0	P: 5.0 R: 5.0
18.6	14.0	15.7	18.1	P: 3.5	-
P: 18.4 R: 18.0	P: 14.0 R: 10.8	15.7	18.1	P: 3.5 R: 5.0	P: 5.0 R: 5.0
18.6	14.0	15.7	18.1	P: 3.5	-
P: 18.0 R: 18.0	P: 14.0 R: 10.65	20.6	23.5	P: 4.5 R: 5.0	P: 4.0 R: 5.0
P: 18.8 R: 19.8	P: 16.3 R: 11.3	22.0	25.4	-	P: 5.0 R: 7.0
P: 18.0 R: 18.0	P: 14.0 R: 10.65	20.6	25.4	P: 4.5 R: 5.0	P: 4.0 R: 5.0
P: 18.0 R: 19.8	P: 14.0 R: 11.3	P: 21.0 R: 22.0	P: 23.9 R: 25.4	-	P: 4.4 R: 7.0
P: 18.0 R: 18.0	P: 14.0 R: 10.65	20.6	23.5	P: 4.5 R: 5.0	P: 4.0 R: 5.0
P: 18.0 R: 18.0	P: 14 R: 10.65	20.6	23.5	P: 4.5 R: 5.0	P: 4.0 R: 5.0
19.8	11.3	22.0	25.4	-	R: 7.0
P: 18.0 R: 18.0	P: 14.0 R: 10.65	20.6	23.8	P: 4.5 R: 5.0	P: 4.0 R: 5.0
17.0	14.0	25.4	29.3	P: 4.0	P: 3.0
P: 17.0 R: 18.0	P: 14.0 R: 10.0	25.4	29.3	P: 4.0 R: 4.0	P: 3.0 R: 4.0
18.0	14.0	25.4	29.3	P: 4.0	P: 3.0
P: 17.0 R: 18.0	P: 14.0 R: 10.0	25.4	29.3	P: 4.0 R: 4.0	P: 3.0 R: 4.0
18.0	15.0	25.4	29.3	P: 4.0	-
19.5	F: 15 R: 11.5	25.4	29.3	P: 4.0	P: 3.0
P: 17.0 R: 18.0	P: 14.0 R: 10.0	25.4	29.3	P: 4.0 R: 4.0	P: 3.0 R: 4.0
18.0	14.8	28.5	33.0	P: 4.0	-
P: 18.0 R: 18.0	P: 14.9 R: 10.3	28.5	33.0	P: 4.0 R: 4.0	P: 4.0 R: 4.0
17.9	14.6	29.0	33.5	-	P: 3.5
18.0	14.6	29.0	33.4	-	P: 3.5
P: 18.0 R: 18.0	P: 14.9 R: 10.3	28.5	33.0	P: 4.0 R: 4.0	P: 4.0 R: 4.0
18.8	14.8	28.5	33.0	P: 4.0	-
19	P: 14.9/R: 10.8	28.5	33.0	P: 4.0/R: 3.5	P: 4.0/R: 3.5
17.6	14.9	34.9	4.0	P: 3.5	-
-	-	-	-	-	-
-	-	-	-	-	-
15.9	13.4	15.8	17.3	P: 3.0	-

L		OD	
Female	Male	Female	Male
43.5	44.5	15.2	13.5
-	-	-	-
43.5	44.5	15.2	13.5
-	-	-	-
55.5	59.0	S: 20.0 L: 18.0	14.6
-	-	-	-
55.5	59.0	S: 20.0 L: 18.0	14.6
-	-	-	-
55.5	59.0	S: 20.0 L: 18.0	14.6
-	-	-	-
43.0	59.0	S: 20.0 L: 18.0	14.6
60.0	-	L: 22.2 S: 25.4	-
60.0	60.0	L: 22.2 S: 25.4	20.0
60.5	-	L: 22.2 S: 25.4	-
60.0	-	L: 22.2 S: 25.4	-
60.0	-	L: 22.2 S: 25.4	-
60.0	-	L: 22.2 S: 25.4	-
59.5	-	S: 32.0 L: 28.5	-
59.5	59.5	S: 32.0 L: 28.5	22.5
-	-	-	-
-	-	-	-
59.5	-	S: 32.0 L: 28.5	-
63.5	69.7	28.5	22.5
59.5	59.5	S: 32.0 L: 28.5	S: 32.0 L: 28.5
70.0	-	33.3	-
68.7	73.5	26.6	25.0
61.5	61.5	23.0	19.4
-	-	-	-

Field installable



without Strain Relief / Straight

with Strain Relief / Right Angle

without Strain Relief / Right Angle

without Strain Relief / Straight

L		OD	
Female	Male	Female	Male
34.0	35.3	15.2	13.5
-	-	-	-
34.0	35.3	15.2	13.5
-	-	-	-
43.0	45.0	S-20.0 L-18.0	14.6
37.8	-	19.0	-
43.0	45.0	S-20.0 L-18.0	14.6
37.8	-	19.0	-
43.0	-	S-20.0 L-18.0	-
43.0	45.0	S-20.0 L-18.0	14.6
-	-	-	-
43.0	45.0	S-20.0 L-18.0	14.6
41.8	-	L-22.2 S-25.4	-
41.8	41.8	L-22.2 S-25.4	20.0
41.8	-	L-22.2 S-25.4	-
41.8	-	L-22.2 S-25.4	-
-	-	-	-
41.8	-	L-22.2 S-25.4	-
41.8	-	L-22.2 S-25.4	-
52.0	-	S-32.0 L-28.5	-
52.0	52.0	S-32.0 L-28.5	22.5
49.3	-	30.0	-
49.3	-	30.0	-
52.0	-	S32.0 L-28.5	-
-	-	-	-
-	-	-	-
60.2	65.0	26.6	25.0
53.0	53.0	23.0	19.4
-	-	-	-

L [A]		L [B]		OD	
Female	Male	Female	Male	Female	Male
-	-	-	-	-	-
-	-	-	-	-	-
-	-	-	-	-	-
34.0	-	35.0	-	S-20.0 L-18.0	-
-	-	-	-	-	-
34.0	-	35.0	-	S-20.0 L-18.0	-
-	-	-	-	-	-
34.0	-	35.0	-	S-20.0 L-18.0	-
34.0	-	35.0	-	S-20.0 L-18.0	-
-	-	-	-	-	-
34.0	-	35.0	-	S-20.0 L-18.0	-
-	-	-	-	-	-
42.5	-	39.5	-	22.2	-
-	-	-	-	-	-
-	-	-	-	-	-
-	-	-	-	-	-
-	-	-	-	-	-
-	-	-	-	-	-
-	-	-	-	-	-
-	-	-	-	-	-
-	-	-	-	-	-
44.1	-	49.8	-	S-32.0 L-28.5	-
40.0	-	40.0	-	30.0	-
40.0	-	40.0	-	30.0	-
-	-	-	-	-	-
-	-	-	-	-	-
44.1	-	49.8	-	28.5	-
-	-	-	-	-	-
-	-	-	-	-	-
-	-	-	-	-	-
-	-	-	-	-	-
-	-	-	-	-	-
-	-	-	-	-	-

L [A]		L [B]		OD	
Female	Male	Female	Male	Female	Male
24.0	-	29.4	-	15.2	-
-	-	-	-	-	-
24.0	-	29.4	-	15.2	-
-	-	-	-	-	-
-	-	-	-	-	-
30.0	-	33.6	-	19.0	-
25.5	-	31.0	-	S-20.0 L-18.0	-
30.0	-	33.6	-	19.0	-
-	-	-	-	-	-
25.5	-	31.0	-	S-20.0 L-18.0	-
-	-	-	-	-	-
25.5	-	31.0	-	S-20.0 L-18.0	-
-	-	-	-	-	-
-	-	-	-	-	-
-	-	-	-	-	-
-	-	-	-	-	-
-	-	-	-	-	-
-	-	-	-	-	-
-	-	-	-	-	-
-	-	-	-	-	-
40.0	-	40.0	-	30.0	-
40.0	-	40.0	-	30.0	-
-	-	-	-	-	-
-	-	-	-	-	-
-	-	-	-	-	-
-	-	-	-	-	-
-	-	-	-	-	-
-	-	-	-	-	-
-	-	-	-	-	-

L		OD	
Female	Male	Female	Male
41.5	41.5	15.2	13.5
-	-	-	-
41.5	41.5	15.2	13.5
-	-	-	-
44.0	43.0	S-20.0 L-18.0	14.6
-	-	-	-
43.0	43.0	S-20.0 L-18.0	14.6
-	-	-	-
43.0	-	S-20.0 L-18.0	-
43.0	43.0	S-20.0 L-18.0	14.6
-	-	-	-
43.0	43.0	S-20.0 L-18.0	14.6
48.2	-	L-22.2 S-25.4	-
48.2	48.65	L-22.2 S-25.4	20.0
-	-	-	-
48.2	-	L-22.2 S-25.4	-
49.7	-	23.0	-
-	-	-	-
48.2	-	L-22.2 S-25.4	-
-	-	-	-
-	-	-	-
54.9	54.9	S-32.0 L-28.5	23.0
-	-	-	-
-	-	-	-
54.9	54.9	S-32.0 L-28.5	23.0
62.8	59.3	L-28.5	23.0
59.9	59.9	L-28.5	23.0
-	-	-	-
-	-	-	-
39.2	35.3	15.0	15.0

Unit: mm









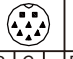









[Note] Design and specification are subject to change without notice.

Contact Configuration

	Mini Size (A)						Standard Size (B)							
	2A(AU)(ASU)		5A(AD)		5A(ASD)		2A(BU)(BSU)		5A(BD)		5A(BSD)		10A(BB)	
4 5	MM or FF	MF or FM	MM or FF	MF or FM	MM or FF	MF or FM	MM or FF	MF or FM	MM or FF	MF or FM	MM or FF	MF or FM	MM or FF	MF or FM
2 Pin														
			R C F		R				R C F	R C F			R C F	R C F
3 Pin														
			R C F						R C F	R C F			R C F	R C F
4 Pin														
	R C F								R C F	R C F	R C F		R C F	
5 Pin														
	R C F								R C F	R C F	R C F			
6 Pin														
	R C F								R C F	R C F	R C F			
7 Pin														
									R C F		R C F			
8 Pin														
									R C F		R C F			
9 Pin														
10 Pin														
							R C F							
12 Pin														
							R C F							
14 Pin														
18 Pin														
20 Pin														
21 Pin														
22 Pin														
31 Pin														

* Standard Size Metal (BSU): 10 Contact

Contact Configuration

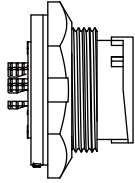
	Middle Size (C)						Middle Size (C)				Large Size (D)			
	10A(CB)		20A(CC)		5A+2A(CDU)		10A+5A(CBD)		10A+2A(CBU)		2A(DU)		5A(DD)(DSD)	
4 5	MM or FF	MF or FM	MM or FF	MF or FM	MM or FF	MF or FM	MM or FF	MF or FM	MM or FF	MF or FM	MM or FF	MF or FM	MM or FF	MF or FM
2 Pin														
				R C F										
3 Pin														
			R C F											
4 Pin														
	R C F	R C F												
5 Pin														
	R C F	R C F												
6 Pin														
	R C F													
7 Pin														
8 Pin														
							R C	R C	R C F	R C F				
9 Pin														
10 Pin														
12 Pin														
						R C F								
14 Pin														
						R C F								
18 Pin														
												R C F	R C F	
20 Pin														
											R C F			
21 Pin														
											R C F			
22 Pin														
											R C F			
31 Pin														

Large Size (D)						Marco Size (E)		Other Size					
20A(DC)		20A+2A(DCU)		20A+5A(DCD)		5A(ED)		10A+5A(GBD)		10A(MAB)		5A(PLD)	
MM or FF	MF or FM	MM or FF	MF or FM	MM or FF	MF or FM	MM or FF	MF or FM	MM or FF	MF or FM	MM or FF	MF or FM	MM or FF	MF or FM
R C F													R F
R C F													R F
R C F										R C F			R F
R C F													
R C F									C				
		R C F	R C F										
				R C F	R C F								
									R C				

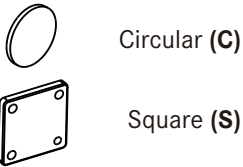
[Note] Design and specification are subject to change without notice.

Product Features

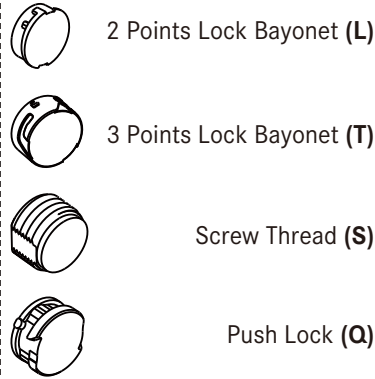
Receptacle



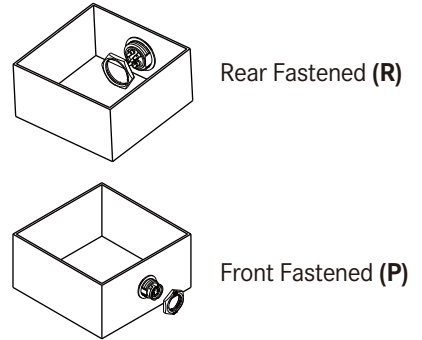
Flange 8



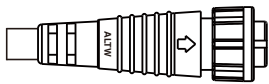
Mating Style 7



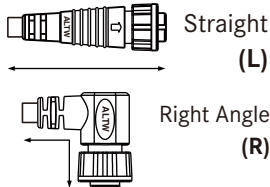
Connector Body (Style) 3



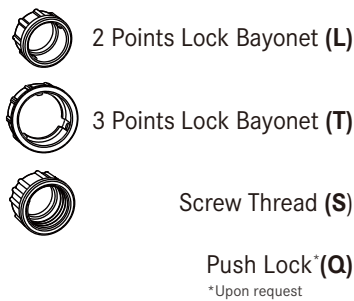
Overmolded with Cable



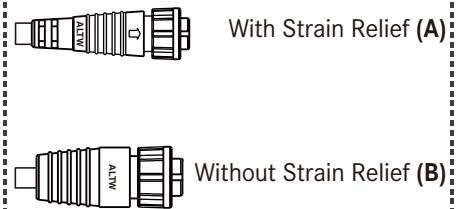
Backshell 8



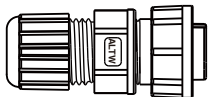
Mating Style 7



Connector Body (Style) 3



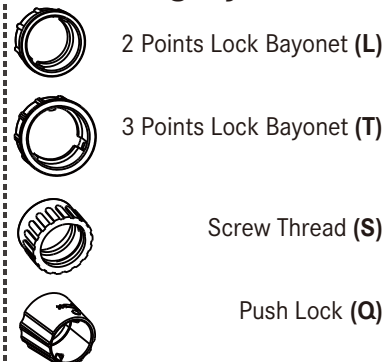
Field Installable



Backshell 8



Mating Style 7

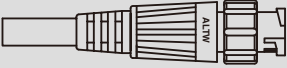
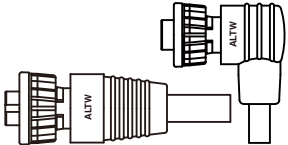
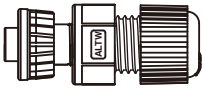


Connector Body (Style) 3



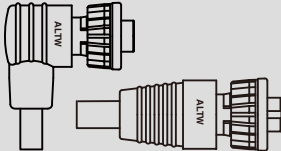
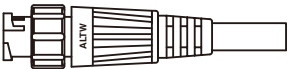
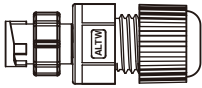
Find Our Standard Products

Mini Size: 7/16"-28 UNS > In-line

<ul style="list-style-type: none"> • Male Connector (Housing) • Male Contacts • 2 Points Lock Bayonet 				
Current Rating (Code)	Contacts 2	Male Connector (M) Male Contacts (M)	Female Connector (F) Female Contacts (F)	Female Connector (F) Female Contacts (F)
2A (AU)	04,05,06	AU- 2 AMMM-LL6A ^{XX} * AU- 2 BMMM-LL7A ^{XX} *	AU- 2 AFFM-LL6A ^{XX} * AU- 2 BFFM-LL7A ^{XX} * AU- 2 BFFM-LR6A ^{XX} *	AU- 2 BFFA-LL7001
5A (AD)	02,03	AD- 2 AMMM-LL6A ^{XX} * AD- 2 BMMM-LL7A ^{XX} *	AD- 2 AFFM-LL6A ^{XX} * AD- 2 BFFM-LL7A ^{XX} * AD- 2 BFFM-LR6A ^{XX} *	AD- 2 BFFA-LL7001

* XX: Choose the cable length from 01~99m

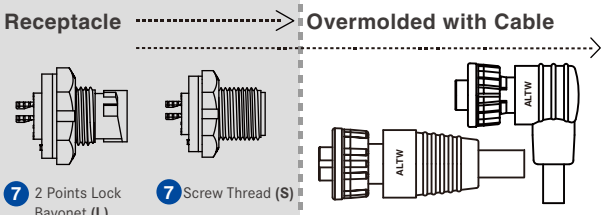
Mini Size: 7/16"-28 UNS > In-line

<ul style="list-style-type: none"> • Female Connector (Housing) • Female Contacts • 2 Points Lock Bayonet 				
Current Rating (Code)	Contacts 2	Female Connector (F) Female Contacts (F)	Male Connector (M) Male Contacts (M)	Male Connector (M) Male Contacts (M)
2A (AU)	04,05,06	AU- 2 AFFM-LL6A ^{XX} * AU- 2 BFFM-LL7A ^{XX} * AU- 2 BFFM-LR6A ^{XX} *	AU- 2 AMMM-LL6A ^{XX} * AU- 2 BMMM-LL7A ^{XX} *	AU- 2 BMMA-LL7001
5A (AD)	02,03	AD- 2 AFFM-LL6A ^{XX} * AD- 2 BFFM-LL7A ^{XX} * AD- 2 BFFM-LR6A ^{XX} *	AD- 2 AMMM-LL6A ^{XX} * AD- 2 BMMM-LL7A ^{XX} *	AD- 2 BMMA-LL7001

* XX: Choose the cable length from 01~99m

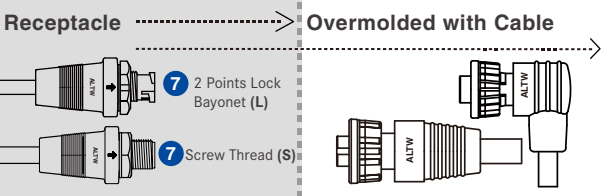
[Note] Design and specification are subject to change without notice.

Mini Size: 7/16"-28 UNS > Receptacle and Mating Pair

<ul style="list-style-type: none"> • Male Connector (Housing) • Male Contacts • Screw Thread & 2 Points Lock Bayonet 		<p>Receptacle</p>  <p>7 2 Points Lock Bayonet (L) 7 Screw Thread (S)</p> <p>6 Choose the PCB Type (P/R) or Solder Type (S)</p> <p>8 Choose the backshell circular (C) or square flange (S).</p> <p>10 Choose Plastic (001) or Metal Nut (002)</p>	<p>Overmolded with Cable</p> <p>7 Choose 2 Points Lock Bayonet (L) or Screw Thread (S)</p>	<p>Field Installable</p> <p>7 Choose 2 Points Lock Bayonet (L) or Screw Thread (S)</p>
Current Rating (Code)	Contacts 2	Male Connector (M) Male Contacts (M)	Female Connector (F) Female Contacts (F)	Female Connector (F) Female Contacts (F)
2A (AU)	04,05,06	AU-2 PMM 6-7 8 7001 AU-2 RMMS - 7 C7001	AU-2 AFFM-7 L6A _{XX} * AU-2 BFFM-7 L7A _{XX} * AU-2 BFFM-7 R6A _{XX} *	AU-2 BFFA-7 L7001
2A (ASU) *Metal	04,05,06	ASU-2 PMMS- LS700 10	AU-2 AFFM-LL6A _{XX} * AU-2 BFFM-LL7A _{XX} * AU-2 BFFM-LR6A _{XX} *	AU-2 BFFA-LL7001
5A (AD)	02,03	AD-2 PMM 6-7 8 7001 AD-2 RMMS - 7 C700 10	AD-2 AFFM-7 L6A _{XX} * AD-2 BFFM-7 L7A _{XX} * AD-2 BFFM-7 R6A _{XX} *	AD-2 BFFA-7 L7001
5A (ASD) *Metal	02,03	ASD-2 PMM 6-LS700 10	AD-2 AFFM-LL6A _{XX} * AD-2 BFFM-LL7A _{XX} * AD-2 BFFM-LR6A _{XX} *	AD-2 BFFA-LL7001

* XX: Choose the cable length from 01~99m

Mini Size: 7/16"-28 UNS > Receptacle with Overmolded Cable and Mating Pair

<ul style="list-style-type: none"> • Male Connector (Housing) • Male Contacts • Screw Thread & 2 Points Lock Bayonet 		<p>Receptacle</p>  <p>7 2 Points Lock Bayonet (L) 7 Screw Thread (S)</p>	<p>Overmolded with Cable</p> <p>7 Choose 2 Points Lock Bayonet (L) or Screw Thread (S)</p>	<p>Field Installable</p> <p>7 Choose 2 Points Lock Bayonet (L) or Screw Thread (S)</p>
Current Rating (Code)	Contacts 2	Male Connector (M) Male Contacts (M)	Female Connector (F) Female Contacts (F)	Female Connector (F) Female Contacts (F)
2A (AU)	04,05,06	AU-2 PMMM-7 L7A _{XX} *	AU-2 AFFM-7 L6A _{XX} * AU-2 BFFM-7 L7A _{XX} * AU-2 BFFM-7 R6A _{XX} *	AU-2 BFFA-7 L7001
5A (AD)	02,03	AD-2 PMMM-7 L7A _{XX} *	AD-2 AFFM-7 L6A _{XX} * AD-2 BFFM-7 L7A _{XX} * AD-2 BFFM-7 R6A _{XX} *	AD-2 BFFA-7 L7001

* XX: Choose the cable length from 01~99m

Standard Size: 5/8"-27 UNS > In-line

<ul style="list-style-type: none"> • Male Connector (Housing) • Male Contacts • 2 Points Lock Bayonet 		Overmolded with Cable	Overmolded with Cable	Field Installable
Current Rating (Code)	Contacts 2	Male Connector (M) Male Contacts (M)	Female Connector (F) Female Contacts (F)	Female Connector (F) Female Contacts (F)
2A (BU)	10, 12	BU- 2 AMMM-LL6A _{XX} * BU- 2 BMMM-LL7A _{XX} *	BU- 2 AFFM-LL6A _{XX} * BU- 2 AFFM-LR7A _{XX} * BU- 2 BFFM-LL7A _{XX} * BU- 2 BFFM-LR6A _{XX} *	BU- 2 BFFA-LL7001
5A (BD)	02,03,04, 05,06,07,08	BD- 2 AMMM-LL6A _{XX} * BD- 2 BMMM-LL7A _{XX} *	BD- 2 AFFM-LL6A _{XX} * BD- 2 AFFM-LR7A _{XX} * BD- 2 BFFM-LL7A _{XX} * BD- 2 BFFM-LR6A _{XX} *	BD- 2 BFFA-LL7001
10A (BB)	02,03,04	BB- 2 AMMM-LL6A _{XX} * BB- 2 BMMM-LL7A _{XX} *	BB- 2 AFFM-LL6A _{XX} * BB- 2 AFFM-LR7A _{XX} * BB- 2 BFFM-LL7A _{XX} * BB- 2 BFFM-LR6A _{XX} *	BB- 2 BFFA-LL7001

* XX: Choose the cable length from 01~99m

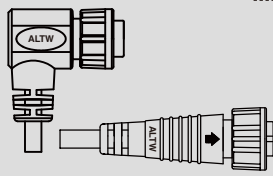
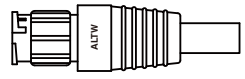
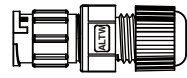
Standard Size: 5/8"-27 UNS > In-line

<ul style="list-style-type: none"> • Male Connector (Housing) • Male Contacts • 2 Points Lock Bayonet 		Field Installable	Overmolded with Cable	Field Installable
Current Rating (Code)	Contacts 2	Male Connector (M) Male Contacts (M)	Female Connector (F) Female Contacts (F)	Female Connector (F) Female Contacts (F)
2A (BU)	10, 12	BU- 2 BMMA-LL7001	BU- 2 AFFM-LL6A _{XX} * BU- 2 AFFM-LR7A _{XX} * BU- 2 BFFM-LL7A _{XX} * BU- 2 BFFM-LR6A _{XX} *	BU- 2 BFFA-LL7001
5A (BD)	02,03,04, 05,06,07,08	BD- 2 BMMA-LL7001	BD- 2 AFFM-LL6A _{XX} * BD- 2 AFFM-LR7A _{XX} * BD- 2 BFFM-LL7A _{XX} * BD- 2 BFFM-LR6A _{XX} *	BD- 2 BFFA-LL7001
10A (BB)	02,03,04	BB- 2 BMMA-LL7001	BB- 2 AFFM-LL6A _{XX} * BB- 2 AFFM-LR7A _{XX} * BB- 2 BFFM-LL7A _{XX} * BB- 2 BFFM-LR6A _{XX} *	BB- 2 BFFA-LL7001

[Note] Design and specification are subject to change without notice.

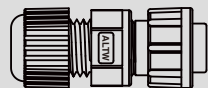


* XX: Choose the cable length from 01~99m

Standard Size: 5/8"-27 UNS > In-line

<ul style="list-style-type: none"> Female Connector (Housing) Female Contacts 2 Points Lock Bayonet 		Overmolded with Cable 	Overmolded with Cable 	Field Installable 
Current Rating (Code)	Contacts 2	Female Connector (F) Female Contacts (F)	Male Connector (M) Male Contacts (M)	Male Connector (M) Male Contacts (M)
2A (BU)	10, 12	BU- 2 AFFM-LL6A XX * BU- 2 AFFM-LR7A XX * BU- 2 BFFM-LL7A XX * BU- 2 BFFM-LR6A XX *	BU- 2 AMMM-LL6A XX * BU- 2 BMMM-LL7A XX *	BU- 2 BMMA-LL7001
5A (BD)	02,03,04, 05,06,07,08	BD- 2 AFFM-LL6A XX * BD- 2 AFFM-LR7A XX * BD- 2 BFFM-LL7A XX * BD- 2 BFFM-LR6A XX *	BD- 2 AMMM-LL6A XX * BD- 2 BMMM-LL7A XX *	BD- 2 BMMA-LL7001
10A (BB)	02,03,04	BB- 2 AFFM-LL6A XX * BB- 2 AFFM-LR7A XX * BB- 2 BFFM-LL7A XX * BB- 2 BFFM-LR6A XX *	BB- 2 AMMM-LL6A XX * BB- 2 BMMM-LL7A XX *	BB- 2 BMMA-LL7001

* XX: Choose the cable length from 01~99m

Standard Size: 5/8"-27 UNS > In-line

<ul style="list-style-type: none"> Female Connector (Housing) Female Contacts 2 Points Lock Bayonet 		Field Installable 	Overmolded with Cable 	Field Installable 
Current Rating (Code)	Contacts 2	Female Connector (F) Female Contacts (F)	Male Connector (M) Male Contacts (M)	Male Connector (M) Male Contacts (M)
2A (BU)	10, 12	BU- 2 BFFA-LL7001	BU- 2 AMMM-LL6A XX * BU- 2 BMMM-LL7A XX *	BU- 2 BMMA-LL7001
5A (BD)	02,03,04, 05,06,07,08	BD- 2 BFFA-LL7001	BD- 2 AMMM-LL6A XX * BD- 2 BMMM-LL7A XX *	BD- 2 BMMA-LL7001
10A (BB)	02,03,04	BB- 2 BFFA-LL7001	BB- 2 AMMM-LL6A XX * BB- 2 BMMM-LL7A XX *	BB- 2 BMMA-LL7001

* XX: Choose the cable length from 01~99m

Standard Size: 5/8"-27 UNS > In-line

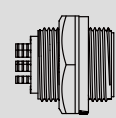
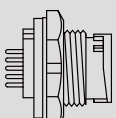
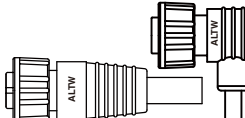
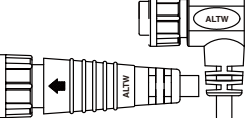
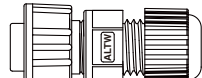
<ul style="list-style-type: none"> Female Connector (Housing) Male Contacts 2 Points Lock Bayonet 				
Current Rating (Code)	Contacts 2	Female Connector (F) Male Contacts (M)	Male Connector (M) Female Contacts (F)	Male Connector (M) Female Contacts (F)
5A (BD)	02,03,04, 05,06	BD- 2 AFMM-LL6A _{XX} * BD- 2 AFMM-LR7A _{XX} * BD- 2 BFMM-LL7A _{XX} * BD- 2 BFMM-LR6A _{XX} *	BD- 2 AMFM-LL6A _{XX} * BD- 2 BMFM-LL7A _{XX} *	BD- 2 BMFA-LL7001
10A (BB)	02,03	BB- 2 AFMM-LL6A _{XX} * BB- 2 AFMM-LR7A _{XX} * BB- 2 BFMM-LL7A _{XX} * BB- 2 BFMM-LR6A _{XX} *	BB-02AMFM-LL6A _{XX} * BB-02BMFM-LL7A _{XX} * BB-03AMFM-LL6A _{XX} * BB-03BMFM-LL7A _{XX} *	BB-02BMFA-LL7001 BB-03BMFA-LL7001
5A+2A (BDU)	08 (2+6)	BDU-08AFMM-LL6A _{XX} * BDU-08AFMM-LR7A _{XX} * BDU-08BFMM-LL7A _{XX} *	BDU-08AMFM-LL6A _{XX} * BDU-08BMFM-LL7A _{XX} *	BDU-08BMFA-LL7001
10A+5A (BBD)	06 (2+4)	BBD- 2 AFMM-LL6A _{XX} * BBD- 2 AFMM-LR7A _{XX} * BBD- 2 BFMM-LL7A _{XX} * BBD- 2 BFMM-LR6A _{XX} *	BBD-06AMFM-LL6A _{XX} * BBD-06BMFM-LL7A _{XX} *	BBD-06BMFA-LL7001

【Note】 BDU-08AMFM-LL6A_{XX} and BDU-08BMFM-LL7A_{XX} are coming soon.

* _{XX}: Choose the cable length from 01~99m

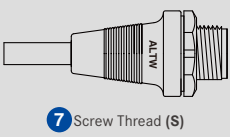
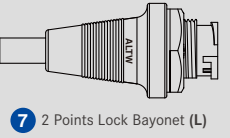
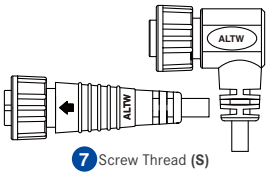
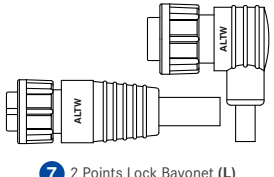
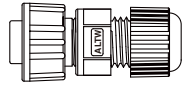
【Note】 Design and specification are subject to change without notice.

Standard Size: 5/8"-27 UNS > Receptacle and Mating Pair

<ul style="list-style-type: none"> • Male Connector (Housing) • Male Contacts • Screw Thread & 2 Points Lock Bayonet 		<p>Receptacle</p>  <p>7 Screw Thread (S)</p>  <p>7 2 Points Lock Bayonet (L)</p> <p>6 Choose the PCB Type (P/R) or Solder Type (S)</p>	<p>Overmolded with Cable</p>  <p>7 Screw Thread (S)</p>  <p>7 2 Points Lock Bayonet (L)</p>	<p>Field Installable</p>  <p>7 Choose 2 Points Lock Bayonet (L) or Screw Thread (S)</p>
		<p>Current Rating (Code)</p> <p>Contacts 2</p>	<p>Male Connector (M) Male Contacts (M)</p>	<p>Female Connector (F) Female Contacts (F)</p>
2A (BU)	10, 12	BU- 2 PMM 6 - 7 C7001 BU- 2 RMMS - 7 C7001	BU- 2 AFFM- 7 L6A _{XX} * BU- 2 AFFM- 7 R7A _{XX} * BU- 2 BFFM- 7 L7A _{XX} * BU- 2 BFFM-LR6A _{XX} *	BU- 2 BFFA- 7 L7001
2A (BSU) *Metal	10	BSU- 2 PMM 6 -SC7001 BSU- 2 RMMS-SC7001	BSU-10BFFM-SL7A _{XX} * BSU-10BFFM-SR6A _{XX} *	BSU-10BFFA-SL7001
5A (BD)	02,03,04, 05,06,07,08	BD- 2 PMM 6 - 7 C7001 BD- 2 RMMS - 7 C7001 BD- 2 RMM 6 -LC7001	BD- 2 AFFM- 7 L6A _{XX} * BD- 2 AFFM- 7 R7A _{XX} * BD- 2 BFFM- 7 L7A _{XX} * BD- 2 BFFM- 7 R6A _{XX} *	BD- 2 BFFA- 7 L7001
5A (BSD)	04,05,06, 07,08	BSD- 2 PMM 6 -SC7001 BSD- 06RMMS-SC7001 BSD- 08RMMS-SC7001	BSD- 2 BFFM-SL6A _{XX} * BSD- 2 BFFM-SR6A _{XX} *	-
10A (BB)	02,03,04	BB- 2 PMM 6 - 7 C7001 BB- 2 RMMS- 7 C7001 BB- 2 RMM 6 -LC7001	BB- 2 AFFM- 7 L6A _{XX} * BB- 2 AFFM- 7 R7A _{XX} * BB- 2 BFFM- 7 L7A _{XX} * BB- 2 BFFM- 7 R6A _{XX} *	BB- 2 BFFA- 7 L7001
10A (BSB) *Metal	04	BSB-04RMMS-SC7001	BSB-04BFFM-SL7A _{XX} *	-

* XX: Choose the cable length from 01~99m

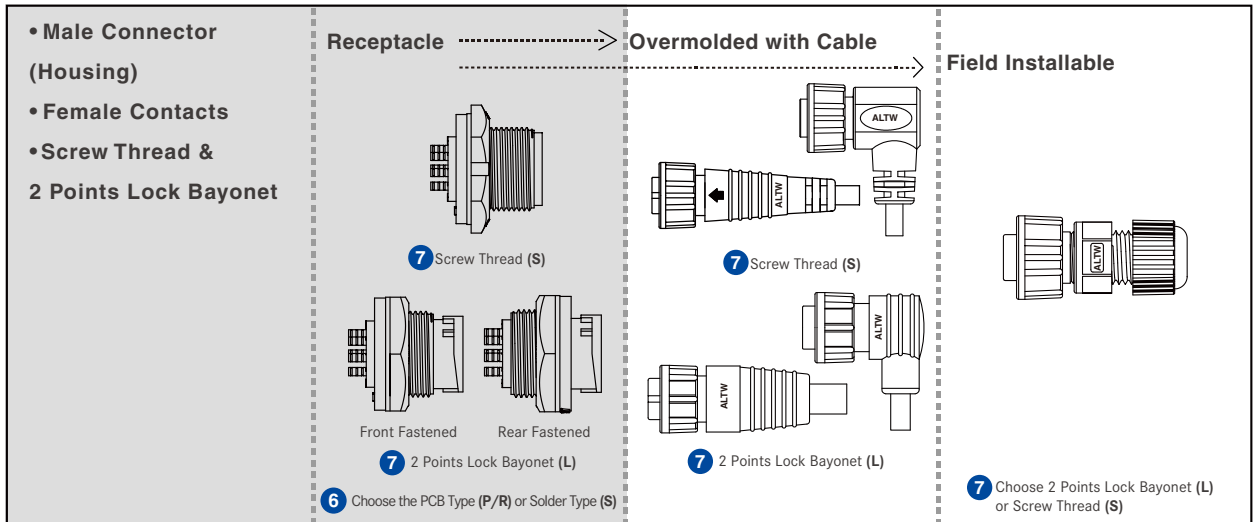
Standard Size: 5/8"-27 UNS > Receptacle with Overmolded Cable and Mating Pair

<ul style="list-style-type: none"> • Male Connector (Housing) • Male Contacts • Screw Thread & 2 Points Lock Bayonet 		<p>Receptacle</p>  <p>7 Screw Thread (S)</p>  <p>7 2 Points Lock Bayonet (L)</p>	<p>Overmolded with Cable</p>  <p>7 Screw Thread (S)</p>  <p>7 2 Points Lock Bayonet (L)</p>	<p>Field Installable</p>  <p>7 Choose 2 Points Lock Bayonet (L) or Screw Thread (S)</p>
Current Rating (Code)	Contacts 2	Male Connector (M) Male Contacts (M)	Female Connector (F) Female Contacts (F)	Female Connector (F) Female Contacts (F)
2A (BU)	10, 12	BU- 2 PMMM- 7 L7A _{XX} *	BU- 2 AFFM- 7 L6A _{XX} * BU- 2 AFFM- 7 R7A _{XX} * BU- 2 BFFM- 7 L7A _{XX} *	BU- 2 BFFA- 7 L7001
5A (BD)	02,03,04, 05,06,07,08	BD- 2 PMMM- 7 L7A _{XX} *	BD- 2 AFFM- 7 L6A _{XX} * BD- 2 AFFM- 7 R7A _{XX} * BD- 2 BFFM- 7 L7A _{XX} * BD- 2 BFFM- 7 R6A _{XX} *	BD- 2 BFFA- 7 L7001
10A (BB)	02,03,04	BB- 2 PMMM- 7 L7A _{XX} *	BB- 2 AFFM- 7 L6A _{XX} * BB- 2 AFFM- 7 R7A _{XX} * BB- 2 BFFM- 7 L7A _{XX} * BB- 2 BFFM- 7 R6A _{XX} *	BB- 2 BFFA- 7 L7001

* XX: Choose the cable length from 01-99m

【Note】 Design and specification are subject to change without notice.

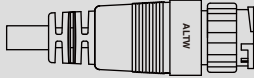
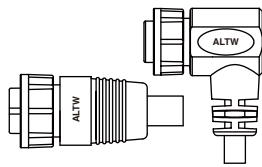
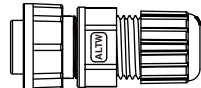
Standard Size: 5/8"-27 UNS > Receptacle and Mating Pair



Current Rating (Code)	Contacts 2	Male Connector (M) Female Contacts (F)	Female Connector (F) Male Contacts (M)	Female Connector (F) Male Contacts (M)
5A (BD)	02,03,04,05,06	BD- 2 PMF 6 - 7 C7001 BD- 2 RMFS- 7 C7001	BD- 2 AFMM- 7 L6A _{XX} * BD- 2 AFMM- 7 R7A _{XX} * BD- 2 BFMM- 7 L7A _{XX} * BD- 2 BFMM- 7 R6A _{XX} *	BD- 2 BFMA- 7 L7001
10A (BB)	02,03	BB- 2 PMF 6 - 7 C7001 BB- 2 RMFS- 7 C7001	BB- 2 AFMM- 7 L6A _{XX} * BB- 2 AFMM- 7 R7A _{XX} * BB- 2 BFMM- 7 L7A _{XX} * BB- 2 BFMM- 7 R6A _{XX} *	BB- 2 BFMA- 7 L7001
5A+2A (BDU)	08 (2+6)	BDU-08PMF 6 - 7 C7001 BDU-08RMFS- 7 C7001	BDU-08AFMM- 7 L6A _{XX} * BDU-08AFMM- 7 R7A _{XX} * BDU-08BFMM- 7 L7A _{XX} *	BDU-08BFMA- 7 L7001
10A+5A (BBD)	06 (2+4)	BBD-06PMF 6 - 7 C7001 BBD-06RMFS- 7 C7001	BBD- 06AFMM- 7 L6A _{XX} * BBD- 06AFMM- 7 R7A _{XX} * BBD- 06BFMM- 7 L7A _{XX} * BBD- 06BFMM- 7 R6A _{XX} *	BBD-06BFMA- 7 L7001

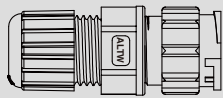
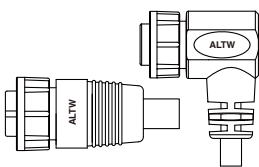
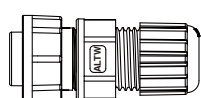
* XX: Choose the cable length from 01~99m

▾ Middle Size: 13/16"-28 UNS > In-line

<ul style="list-style-type: none"> • Male Connector (Housing) • Male Contacts • 2 Points Lock Bayonet 		<p>Overmolded with Cable →</p> 	<p>Overmolded with Cable →</p> 	<p>Field Installable</p> 
Current Rating (Code)	Contacts 2	Male Connector (M) Male Contacts (M)	Female Connector (F) Female Contacts (F)	Female Connector (F) Female Contacts (F)
5A (CD)	07,08,09, 10,12,14	CD- 2 AMMM-LL7A _{XX} * CD- 2 BMMM-LL6A _{XX} *	CD- 2 AFFM-LL7A _{XX} * CD- 2 BFFM-LL6A _{XX} * CD- 2 AFFM-LR7A _{XX} *	CD- 2 BFFA-LL7001

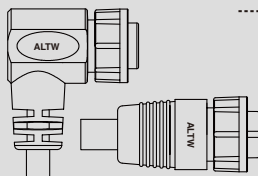
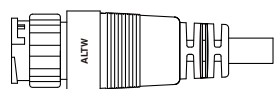
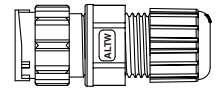
* XX: Choose the cable length from 01-99m

▾ Middle Size: 13/16"-28 UNS > In-line

<ul style="list-style-type: none"> • Male Connector (Housing) • Male Contacts • 2 Points Lock Bayonet 		<p>Field Installable →</p> 	<p>Overmolded with Cable →</p> 	<p>Field Installable</p> 
Current Rating (Code)	Contacts 2	Male Connector (M) Male Contacts (M)	Female Connector (F) Female Contacts (F)	Female Connector (F) Female Contacts (F)
5A (CD)	07,08,09, 10,12,14	CD- 2 BMMA-LL7001	CD- 2 AFFM-LL7A _{XX} * CD- 2 AFFM-LR7A _{XX} * CD- 2 BFFM-LL6A _{XX} *	CD- 2 BFFA-LL7001

* XX: Choose the cable length from 01-99m

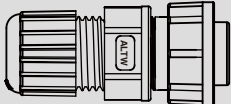
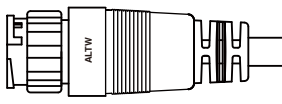
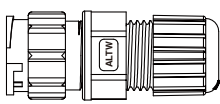
▾ Middle Size: 13/16"-28 UNS > In-line

<ul style="list-style-type: none"> • Female Connector (Housing) • Female Contacts • 2 Points Lock Bayonet 		<p>Overmolded with Cable →</p> 	<p>Overmolded with Cable →</p> 	<p>Field Installable</p> 
Current Rating (Code)	Contacts 2	Female Connector (F) Female Contacts (F)	Male Connector (M) Male Contacts (M)	Male Connector (M) Male Contacts (M)
5A (CD)	07,08,09, 10,12,14	CD- 2 AFFM-LL7A _{XX} * CD- 2 AFFM-LR7A _{XX} * CD- 2 BFFM-LL6A _{XX} *	CD- 2 AMMM-LL7A _{XX} * CD- 2 BMMM-LL6A _{XX} *	CD- 2 BMMA-LL7001

* XX: Choose the cable length from 01-99m

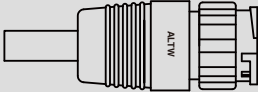
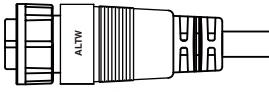
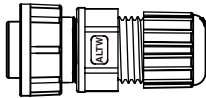
[Note] Design and specification are subject to change without notice.

∨ Middle Size: 13/16"-28 UNS > In-line

<ul style="list-style-type: none"> • Female Connector (Housing) • Female Contacts • 2 Points Lock Bayonet 		Field Installable 	Overmolded with Cable 	Field Installable 
Current Rating (Code)	Contacts 2	Female Connector (F) Female Contacts (F)	Male Connector (M) Male Contacts (M)	Male Connector (M) Male Contacts (M)
5A (CD)	07,08,09, 10,12,14	CD- 2 BFFA-LL7001	CD- 2 AMMM-LL7A ^{XX} * CD- 2 BMMM-LL6A ^{XX} *	CD- 2 BMMA-LL7001

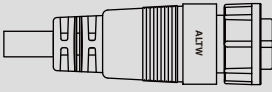
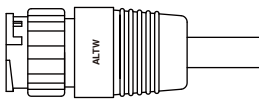
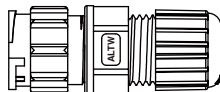
* XX: Choose the cable length from 01~99m

∨ Middle Size: 13/16"-28 UNS > In Line

<ul style="list-style-type: none"> • Male Connector (Housing) • Female Contacts • 2 Points Lock Bayonet 		Overmolded with Cable 	Overmolded with Cable 	Field Installable 
Current Rating (Code)	Contacts 2	Male Connector (M) Female Contacts (F)	Female Connector (F) Male Contacts (M)	Female Connector (F) Male Contacts (M)
5A (CD)	07,08,09	CD- 2 AMFM-LL7A ^{XX} * CD- 2 BMFM-LL6A ^{XX} *	CD- 2 AFMM-LL7A ^{XX} * CD- 2 BFMM-LL6A ^{XX} *	CD- 2 BFMA-LL7001

* XX: Choose the cable length from 01~99m

∨ Middle Size: 13/16"-28 UNS > In Line

<ul style="list-style-type: none"> • Female Connector (Housing) • Male Contacts • 2 Points Lock Bayonet 		Overmolded with Cable 	Overmolded with Cable 	Field Installable 
Current Rating (Code)	Contacts 2	Female Connector (F) Male Contacts (M)	Male Connector (M) Female Contacts (F)	Male Connector (M) Female Contacts (F)
5A (CD)	07,08,09	CD- 2 AFMM-LL7A ^{XX} * CD- 2 BFMM-LL6A ^{XX} *	CD- 2 AMFM-LL7A ^{XX} * CD- 2 BMFM-LL6A ^{XX} *	CD- 2 BMFA-LL7001

* XX: Choose the cable length from 01~99m

∨ Middle Size: 13/16"-28 UNS > Receptacle and Mating Pair

<ul style="list-style-type: none"> • Male Connector (Housing) • Male Contacts • Screw Thread & 2 Points Lock Bayonet 		<p>Receptacle</p> <p>Front Fastened Rear Fastened</p> <p>7 Screw Thread (S)</p> <p>7 2 Points Lock Bayonet (L)</p> <p>6 Choose PCB (P/R) or Solder Type (S)</p>	<p>Overmolded with Cable</p> <p>7 Screw Thread (S)</p> <p>7 2 Points Lock Bayonet (L)</p> <p>** Select cable length from 01-99m</p>	<p>Field Installable</p> <p>7 Choose 2 Points Lock Bayonet (L) or Screw Thread (S)</p>
Current Rating (Code)	Contacts 2	Male Connector (M) Male Contacts (M)	Female Connector (F) Female Contacts (F)	Female Connector (F) Female Contacts (F)
2A (CU)	18	CU-18PMMP-7 C7001 CU-18PMMP-SC7002	CU-18AFFM-7 L7A XX * CU-18BFFM-7 L6A XX *	CU-18BFFA-7 L7001
5A (CD)	07,08,09, 10,12,14	CD- 2 PMM 6 - 7 C7001 CD- 2 RMMS- 7 C7001	CD- 2 AFFM- 7 L7A XX * CD- 2 BFFM- 7 L6A XX * CD- 2 AFFM-LR7A XX *	CD- 2 BFFA- 7 L7001
10A (CB)	04,05,06	CB- 2 PMM 6 - 7 C7001 CB- 2 RMMS- 7 C7001	CB- 2 AFFM- 7 L7A XX * CB- 2 BFFM- 7 L6A XX *	CB- 2 BFFA- 7 L7001
10A+5A (CBD)	08 (2+6)	CBD-08PMM 6 - 7 C7001	CBD-08AFFM- 7 L7A XX * CBD-08BFFM- 7 L6A XX *	CBD-08BFFA- 7 L7001
20A (CC)	03	CC-03PMM 6 - 7 C7001 CC-03RMMS- 7 C7001	CC-03AFFM- 7 L7A XX * CC-03BFFM- 7 L6A XX *	CC-03BFFA- 7 L7001

* XX: Choose the cable length from 01-99m

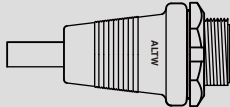
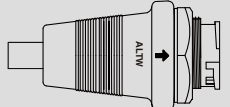
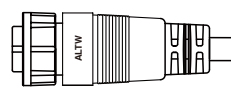
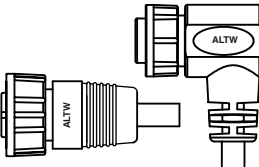
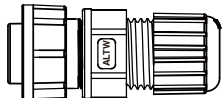
【Note】 Design and specification are subject to change without notice.

Middle Size: 13/16"-28 UNS

Receptacle with Overmolded Cable and Mating Pair
Screw Thread & 2 Points Lock Bayonet

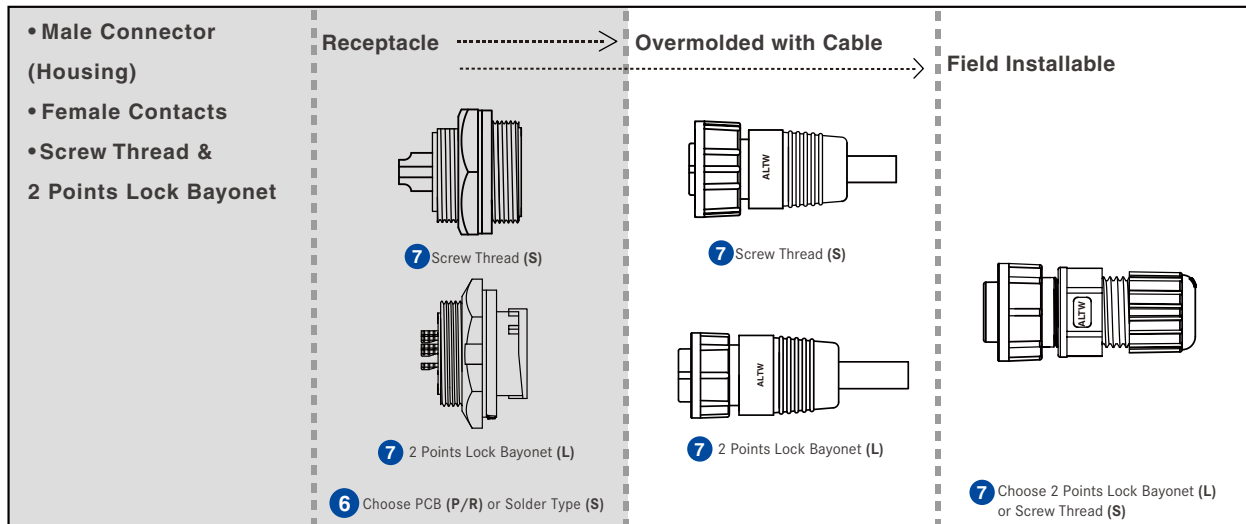
IP 66 ~ 68 9
Unmated or Mated

▾ **Middle Size: 13/16"-28 UNS > Receptacle with Overmolded Cable and Mating Pair**

<ul style="list-style-type: none"> • Male Connector (Housing) • Male Contacts • Screw Thread & 2 Points Lock Bayonet 		<p>Receptacle</p>  <p>⑦ Screw Thread (S)</p>  <p>⑦ 2 Points Lock Bayonet (L)</p>	<p>Overmolded with Cable</p>  <p>⑦ Screw Thread (S)</p>  <p>⑦ 2 Points Lock Bayonet (L)</p>		<p>Field Installable</p>  <p>⑦ Choose 2 Points Lock Bayonet (L) or Screw Thread (S)</p>
		<p>Male Connector (M) Male Contacts (M)</p>	<p>Female Connector (F) Female Contacts (F)</p>	<p>Female Connector (F) Female Contacts (F)</p>	
Current Rating (Code)	Contacts ②				
5A (CD)	07,08,09,10,12,14	CD- ② PMMM- ⑦ L7A ^{XX} *	CD- ② AFFM- ⑦ L7A ^{XX} * CD- ② BFFM- ⑦ L6A ^{XX} * CD- ② AFFM-LR7A ^{XX} *	CD- ② BFFA- ⑦ L7001	
10A (CB)	04,05,06	CB- ② PMMM- ⑦ L7A ^{XX} *	CB- ② AFFM- ⑦ L7A ^{XX} * CB- ② BFFM- ⑦ L6A ^{XX} *	CB- ② BFFA- ⑦ L7001	
20A (CC)	03	CC-03PMMM-SL7A ^{XX} *	CC-03AFFM-SL7A ^{XX} * CC-03BFFM-SL6A ^{XX} *	CC-03BFFA-SL7001	

* XX: Choose the cable length from 01~99m

∟ Middle Size: 13/16"-28 UNS > Receptacle and Mating Pair



Current Rating (Code)	Contacts 2	Male Connector (M) Female Contacts (F)	Female Connector (F) Male Contacts (M)	Female Connector (F) Male Contacts (M)
5A (CD)	07,08,09	CD- 2 PMF 6 - 7 C7001 CD- 2 RMFS- 7 C7001	CD- 2 AFMM- 7 L7A _{XX} * CD- 2 BFMM- 7 L6A _{XX} *	CD- 2 BFMA- 7 L7001
5A+2A (CDU)	12 (2+10) 14 (2+12)	CDU- 2 PMF 6 - 7 C7001	CDU- 2 AFMM- 7 L7A _{XX} * CDU- 2 BFMM- 7 L6A _{XX} * CDU- 2 BFMM- 7 L7A _{XX} *	CDU- 2 BFMA- 7 L7001
10A (CB)	04,05	CB- 2 PMF 6 - 7 C7001 CB- 2 RMFS- 7 C7001	CB- 2 AFMM- 7 L7A _{XX} * CB- 2 BFMM- 7 L6A _{XX} *	CB- 2 BFMA- 7 L7001
10A+5A (CBD)	08 (2+6)	CBD-08PMF 6 - 7 C7001	CBD-08AFMM- 7 L7A _{XX} * CBD-08BFMM- 7 L6A _{XX} *	CBD-08BFMA- 7 L7001
20A (CC)	02	CC-02PMFS- LC7001	CC-02AFMM- LL7A _{XX} *	CC-02BFMA-LL7001

* XX: Choose the cable length from 01~99m

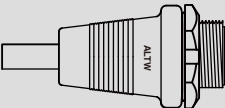
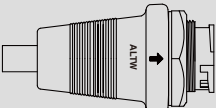
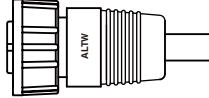
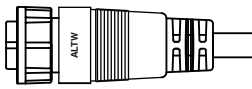
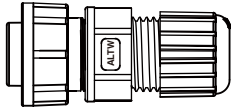
【Note】 Design and specification are subject to change without notice.

Middle Size: 13/16"-28 UNS

Receptacle with Overmolded Cable and Mating Pair
Screw Thread & 2 Points Lock Bayonet

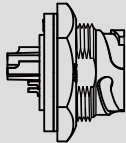
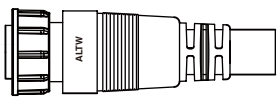
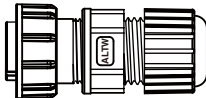
IP 66 ~ 68 9
Unmated or Mated

▾ Middle Size: 13/16"-28 UNS > Receptacle with Overmolded Cable and Mating Pair

<ul style="list-style-type: none"> • Male Connector (Housing) • Female Contacts • Screw Thread & 2 Points Lock Bayonet 		<p>Receptacle</p>  <p>7 Screw Thread (S)</p>  <p>7 2 Points Lock Bayonet (L)</p>	<p>Overmolded with Cable</p>  <p>7 Screw Thread (S)</p>  <p>7 2 Points Lock Bayonet (L)</p>	<p>Field Installable</p>  <p>7 Choose 2 Points Lock Bayonet (L) or Screw Thread (S)</p>
		<p>Male Connector (M) Female Contacts (F)</p>	<p>Female Connector (F) Male Contacts (M)</p>	<p>Female Connector (F) Male Contacts (M)</p>
Current Rating (Code)	Contacts 2			
5A (CD)	07,08,09	CD- 2 PMFM- 7 L7A XX *	CD- 2 AFMM- 7 L7A XX * CD- 2 BFMM- 7 L6A XX *	CD- 2 BFMA- 7 L7001
10A (CB)	04,05	CB- 2 PMFM- 7 L7A XX *	CB- 2 AFMM- 7 L7A XX * CB- 2 BFMM- 7 L6A XX *	CB- 2 BFMA- 7 L7001

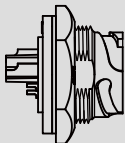
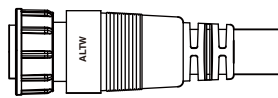
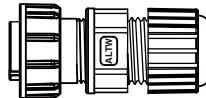
* XX: Choose the cable length from 01~99m

▾ Middle Size: 13/16"-28 UNS > Receptacle and Mating Pair

<ul style="list-style-type: none"> • Male Connector (Housing) • Female Power+Male Signal • 3 Points Lock Bayonet 		<p>Receptacle</p> 	<p>Overmolded with Cable</p> 	<p>Field Installable</p> 
Current Rating (Code)	Contacts	Male Connector (M) Female Power+Male Signal (D)	Female Connector (F) Male Power+Female Signal (E)	Female Connector (F) Male Power+Female Signal (E)
10A+2A (CBU)	(3+5)	CBU-08PMDS-TC7001	CBU-08AFEM-TL7A ^{XX} *	CBU-08BFEA-TL7001

* XX: Choose the cable length from 01~99m

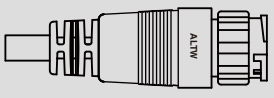
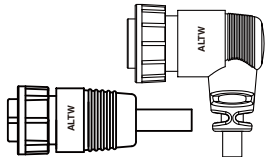
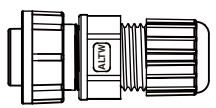
▾ Middle Size: 13/16"-28 UNS > Receptacle and Mating Pair

<ul style="list-style-type: none"> • Male Connector (Housing) • Male Power+Female Signal • 3 Points Lock Bayonet 		<p>Receptacle</p> 	<p>Overmolded with Cable</p> 	<p>Field Installable</p> 
Current Rating (Code)	Contacts	Male Connector (M) Male Power+Female Signal (E)	Female Connector (F) Female Power+Male Signal (D)	Female Connector (F) Female Power+Male Signal (D)
10A+2A (CBU)	(3+5)	CBU-08PMES-TC7001	CBU-08AFDM-TL7A ^{XX} *	CBU-08BFDA-TL7001

* XX: Choose the cable length from 01~99m

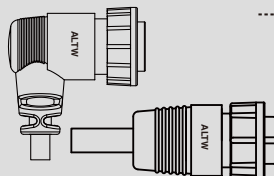


【Note】 Design and specification are subject to change without notice.

Large Size: 1"-20 UNEF > In-line

<ul style="list-style-type: none"> • Male Connector (Housing) • Male Contacts • 2 Points Lock Bayonet 		<p>Overmolded with Cable →</p> 	<p>Overmolded with Cable →</p> 	<p>Field Installable</p> 
Current Rating (Code)	Contacts	Male Connector (M) Male Contacts (M)	Female Connector (F) Female Contacts (F)	Female Connector (F) Female Contacts (F)
5A (DD)	18	DD-18AMMM-LL7A ^{XX} * DD-18BMMM-LL6A ^{XX} *	DD-18AFFM-LL7A ^{XX} * DD-18AFFM-LR7A ^{XX} * DD-18BFFM-LL6A ^{XX} *	DD-18BFFA-LL7001

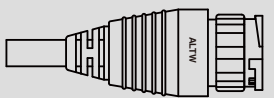
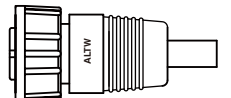
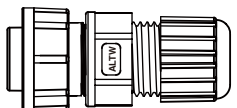
* XX: Choose the cable length from 01~99m

Large Size: 1"-20 UNEF > In-line

<ul style="list-style-type: none"> • Female Connector (Housing) • Female Contacts • 2 Points Lock Bayonet 		<p>Overmolded with Cable →</p> 	<p>Overmolded with Cable →</p> 	<p>Field Installable</p> 
Current Rating (Code)	Contacts	Female Connector (F) Female Contacts (F)	Male Connector (M) Male Contacts (M)	Male Connector (M) Male Contacts (M)
5A (DD)	18	DD-18AFFM-LL7A ^{XX} * DD-18AFFM-LR7A ^{XX} * DD-18BFFM-LL6A ^{XX} *	DD-18AMMM-LL7A ^{XX} * DD-18BMMM-LL6A ^{XX} *	DD-18BMMA-LL7001

* XX: Choose the cable length from 01~99m

Large Size: 1"-20 UNEF > In-line

<ul style="list-style-type: none"> • Male Connector (Housing) • Female Contacts • 2 Points Lock Bayonet 		<p>Overmolded with Cable →</p> 	<p>Overmolded with Cable →</p> 	<p>Field Installable</p> 
Current Rating (Code)	Contacts	Male Connector (M) Female Contacts (F)	Female Connector (F) Male Contacts (M)	Female Connector (F) Male Contacts (M)
5A (DD)	18	DD-18AMFM-LL7A ^{XX} * DD-18BMFM-LL6A ^{XX} *	DD-18AFMM-LL7A ^{XX} * DD-18BFMM-LL6A ^{XX} *	DD-18BFMA-LL7001

* XX: Choose the cable length from 01~99m

↘ Large Size: 1"-20 UNEF > In-line

<ul style="list-style-type: none"> • Female Connector (Housing) • Male Contacts • 2 Points Lock Bayonet 		Overmolded with Cable	Overmolded with Cable	Field Installable
Current Rating (Code)	Contacts	Female Connector (F) Male Contacts (M)	Male Connector (M) Female Contacts (F)	Male Connector (M) Female Contacts (F)
5A (DD)	18	DD-18AFMM-LL7A ^{XX} * DD-18BFMM-LL6A ^{XX} *	DD-18AMFM-LL7A ^{XX} * DD-18BMFM-LL6A ^{XX} *	DD-18BMFA-LL7001

* XX: Choose the cable length from 01~99m

↘ Large Size: 1"-20 UNEF > In-line

<ul style="list-style-type: none"> • Male Connector (Housing) • Female Power+Male Signal • 2 Points Lock Bayonet 		Overmolded with Cable	Overmolded with Cable	Field Installable
Current Rating (Code)	Contacts	Male Connector (M) Female Power+Male Signal (D)	Female Connector (F) Male Power+Female Signal (E)	Female Connector (F) Male Power+Female Signal (E)
20A+2A (DCU)	(3+5)	DCU-08AMDMD-LL7B ^{XX} *	DCU-08AFEM-LL7B ^{XX} *	DCU-08BFEA-LL7001
20A+5A (DCD)	(3+9)	DCD-12AMDMD-LL7A ^{XX} *	DCD-12AFEM-LL7A ^{XX} * DCD-12AFEM-LR7A ^{XX} *	DCD-12BFEA-LL7001

* XX: Choose the cable length from 01~99m

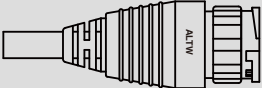
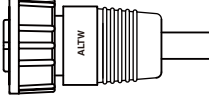
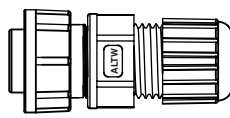
↘ Large Size: 1"-20 UNEF > In-line

<ul style="list-style-type: none"> • Male Connector (Housing) • Female Power+Male Signal • 2 Points Lock Bayonet 		Field Installable	Overmolded with Cable	Field Installable
Current Rating (Code)	Contacts	Male Connector (M) Female Power+Male Signal (D)	Female Connector (F) Male Power+Female Signal (E)	Female Connector (F) Male Power+Female Signal (E)
20A+2A (DCU)	(3+5)	DCU-08BMDDA-LL7001	DCU-08AFEM-LL7B ^{XX} *	DCU-08BFEA-LL7001
20A+5A (DCD)	(3+9)	DCD-12BMDDA-LL7001	DCD-12AFEM-LL7A ^{XX} * DCD-12AFEM-LR7A ^{XX} *	DCD-12BFEA-LL7001

* XX: Choose the cable length from 01~99m


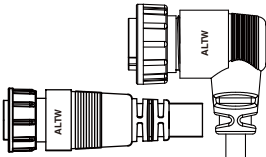
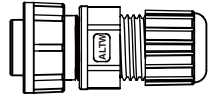
[Note] Design and specification are subject to change without notice.

Large Size: 1"-20 UNEF > In-line

<ul style="list-style-type: none"> • Male Connector (Housing) • Male Power+Female Signal • 2 Points Lock Bayonet 		Overmolded with Cable	Overmolded with Cable	Field Installable
				
Current Rating (Code)	Contacts	Male Connector (M) Male Power+Female Signal (E)	Female Connector (F) Female Power+Male Signal (D)	Female Connector (F) Female Power+Male Signal (D)
20A+2A (DCU)	(3+5)	DCU-08AMEM-LL7BXX*	DCU-08AFDM-LL7BXX*	DCU-08BFDA-LL7001
20A+5A (DCD)	(3+9)	DCD-12AMEM-LL7AXX*	DCD-12AFDM-LL7AXX* DCD-12AFDM-LR7AXX*	DCD-12BFDA-LL7001

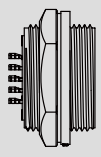
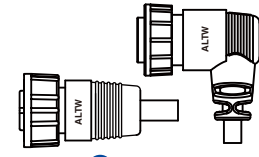
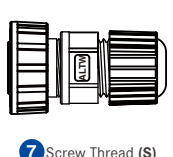
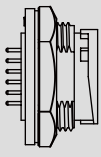
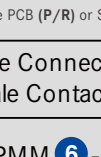
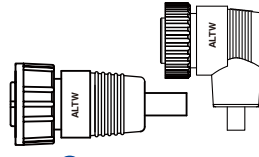
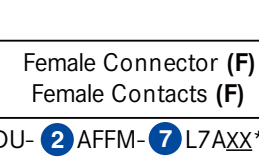
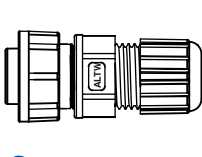
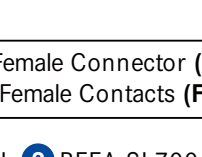
* XX: Choose the cable length from 01~99m

Large Size: 1"-20 UNEF > In-line

<ul style="list-style-type: none"> • Male Connector (Housing) • Male Power+Female Signal • 2 Points Lock Bayonet 		Field Installable	Overmolded with Cable	Field Installable
				
Current Rating (Code)	Contacts	Male Connector (M) Male Power+Female Signal (E)	Female Connector (F) Female Power+Male Signal (D)	Female Connector (F) Female Power+Male Signal (D)
20A+2A (DCU)	(3+5)	DCU-08BMEA-LL7001	DCU-08AFDM-LL7BXX*	DCU-08BFDA-LL7001
20A+5A (DCD)	(3+9)	DCD-12BMEA-LL7001	DCD-12AFDM-LL7AXX* DCD-12AFDM-LR7AXX*	DCD-12BFDA-LL7001

* XX: Choose the cable length from 01~99m

Large Size: 1"-20 UNEF > Receptacle and Mating Pair

<ul style="list-style-type: none"> • Male Connector (Housing) • Male Contacts • Screw Thread & 2 Points Lock Bayonet 		Receptacle 	Overmolded with Cable 	Field Installable 
		 <p>7 Screw Thread (S)</p>  <p>7 2 Points Lock Bayonet (L)</p> <p>6 Choose PCB (P/R) or Solder Type (S)</p>	 <p>7 Screw Thread (S)</p>  <p>7 2 Points Lock Bayonet (L)</p>	 <p>7 Screw Thread (S)</p>  <p>7 2 Points Lock Bayonet (L)</p>
Current Rating (Code)	Contacts 2	Male Connector (M) Male Contacts (M)	Female Connector (F) Female Contacts (F)	Female Connector (F) Female Contacts (F)
2A (DU)	20,21,22**	DU-2 PMM 6-7 C7001	DU-2 AFFM-7 L7A ^{XX} * DU-2 BFFM-7 L6A ^{XX} *	DU-2 BFFA-SL7001
5A (DD)	18	DD-18PMM 6-7 C7001 DD-18RMMS-7 C7001	DD-18AFFM-7 L7A ^{XX} * DD-18AFFM-7 R7A ^{XX} * DD-18BFFM-7 L6A ^{XX} *	DD-18BFFA-7 L7001
20A (DC)	02,03,04, 05,06,07	DC-2 PMM 6-7 C7001 DC-2 PMM 6-7 S7001 DC-2 RMMS-7 C7001	DC-2 AFFM-7 L7A ^{XX} * DC-2 BFFM-7 L6A ^{XX} *	DC-2 BFFA-7 L7001 DC-02BFFB-7 L7001

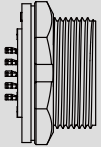
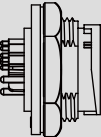
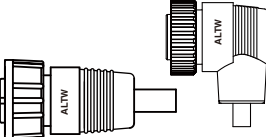
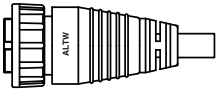
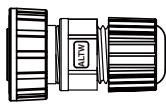
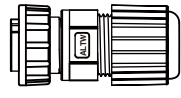
* XX: Choose the cable length from 01~99m
 ** The specification of 22 contacts is upon request.

[Note] Design and specification are subject to change without notice.

Large Size: 1"-20 UNEF

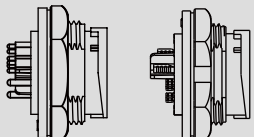
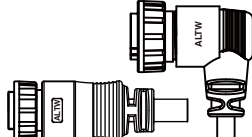
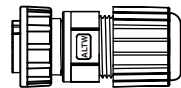
Receptacle and Mating Pair
Screw Thread & 2 Points Lock Bayonet

↘ **Large Size: 1"-20 UNEF > Receptacle and Mating Pair**

<ul style="list-style-type: none"> • Male Connector (Housing) • Female Contacts • Screw Thread & 2 Points Lock Bayonet 		<p>Receptacle</p>  <p>7 Screw Thread (S)</p>  <p>7 2 Points Lock Bayonet (L)</p> <p>6 Choose PCB (P/R) or Solder Type (S)</p>	<p>Overmolded with Cable</p>  <p>7 Screw Thread (S)</p>  <p>7 2 Points Lock Bayonet (L)</p>	<p>Field Installable</p>  <p>7 Screw Thread (S)</p>  <p>7 2 Points Lock Bayonet (L)</p>
		<p>Current Rating (Code)</p> <p>Contacts 2</p> <p>Male Connector (M) Female Contacts (F)</p>	<p>Female Connector (F) Male Contacts (M)</p> <p>Female Connector (F) Male Contacts (M)</p>	
5A (DD)	18	DD-18PMF 6 - 7 C7001 DD-18PMF 6 - 7 S7001 DD-18RMFS - 7 C7001	DD-18AFMM-7 L7A _{XX} * DD-18BFMM-7 L6A _{XX} *	DD-18BFMA-7 L7001
5A (DSD) *Metal	18	DSD-18PMF 6 - SS8001 DSD-18PMF 6 - SS8002	DSD-18BFMM-SL6A _{XX} * DSD-18BFMM-SR6A _{XX} *	-
20A (DC)	02,03	DC-2 PMFP-7 C7001	DC-2 AFMM-7 L7A _{XX} * DC-2 BFMM-7 L6A _{XX} *	DC-2 BFMB-7 L7001

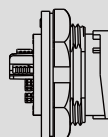
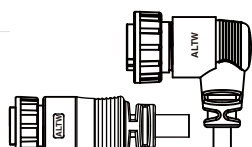
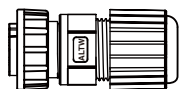
* XX: Choose the cable length from 01~99m

↘ Large Size: 1"-20UNEF > Receptacle and Mating Pair

<ul style="list-style-type: none"> • Male Connector (Housing) • Female Power+Male Signal • 2 Points Lock Bayonet 		<p>Receptacle</p>  <p>PCB (P/R) Type Solder Type (S)</p> <p>6 Choose PCB (P/R) or Solder Type (S)</p>	<p>Overmolded with Cable</p> 	<p>Field Installable</p> 
Current Rating (Code)	Contacts	Male Connector (M) Female Power+Male Signal (D)	Female Connector (F) Male Power+Female Signal (E)	Female Connector (F) Male Power+Female Signal (E)
20A+2A (DCU)	(3+5)	DCU-08PMDS-LC7001	DCU-08AFEM-LL7BXX*	DCU-08BFEA-LL7001
20A+5A (DCD)	(3+9)	DCD-12PMD 6 -LC7001	DCD-12AFEM-LL7AXX* DCD-12AFEM-LR7AXX*	DCD-12BFEA-LL7001

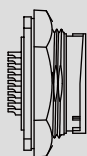
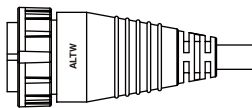
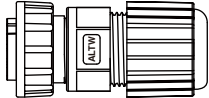
* XX: Choose the cable length from 01~99m

↘ Large Size: 1"-20 UNEF > Receptacle and Mating Pair

<ul style="list-style-type: none"> • Male Connector (Housing) • Male Power+Female Signal • 2 Points Lock Bayonet 		<p>Receptacle</p> 	<p>Overmolded with Cable</p> 	<p>Field Installable</p> 
Current Rating (Code)	Contacts	Male Connector (M) Male Power+Female Signal (E)	Female Connector (F) Female Power+Male Signal (D)	Female Connector (F) Female Power+Male Signal (D)
20A+2A (DCU)	(3+5)	DCU-08PMES-LC7001	DCU-08AFDM-LL7BXX*	DCU-08BFDA-LL7001
20A+5A (DCD)	(3+9)	DCD-12PMES-LC7001	DCD-12AFDM-LL7AXX* DCD-12AFDM-LR7AXX*	DCD-12BFDA-LL7001

* XX: Choose the cable length from 01~99m

↘ Macro Size: 1 3/16"-20 UNS > Receptacle and Mating pair

<ul style="list-style-type: none"> • Male Connector (Housing) • Female Contacts • 2 Points Lock Bayonet 		<p>Receptacle</p>  <p>6 Choose PCB (P) or Solder Type (S)</p>	<p>Overmolded with Cable</p> 	<p>Field Installable</p> 
Current Rating (Code)	Contacts	Male Connector (M) Female Contacts (F)	Female Connector (F) Male Contacts (M)	Female Connector (F) Male Contacts (M)
5A (ED)	31	ED-31PMF 6 -LS7001	ED-31AFMM-LL7AXX*	-

* XX: Choose the cable length from 01~99m

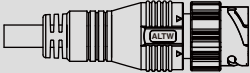
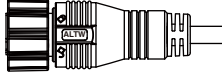
[Note] Design and specification are subject to change without notice.

Other Size

In-line
2 & 3 Points Lock Bayonet



IP 66 ~ 68 9
Unmated or Mated

∟ **Other Size > In-line**

<ul style="list-style-type: none"> • Male Connector (Housing) • Female Power+Male Signal • 3 Points Lock Bayonet 		Receptacle 	Overmolded with Cable 	Field Installable
Current Rating (Code)	Contacts	Male Connector (M) Male Contacts (M)	Female Connector (F) Female Contacts (F)	Female Connector (F) Female Contacts (F)
5A (GBD)	08	GBD-08AMMM-TL8A ^{XX} * GBD-08BMMM-TL7A ^{XX} *	GBD-08AFFM-TL8A ^{XX} * GBD-08BFFM-TL7A ^{XX} *	-

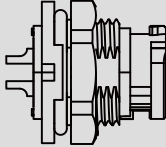
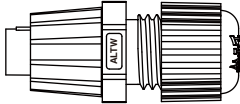
* XX: Choose the cable length from 01~99m

∟ **Other Size > In-line**

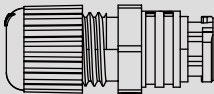
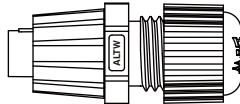
<ul style="list-style-type: none"> • Male Connector (Housing) • Female Power+Male Signal • 2 Points Lock Bayonet 		Receptacle 	Overmolded with Cable 	Field Installable
Current Rating (Code)	Contacts	Male Connector (M) Female Contacts (F)	Female Connector (F) Male Contacts (M)	Female Connector (F) Male Contacts (M)
10A (MAB)	04	MAB-04AMFM-LL7A ^{XX} * MAB-04BMFM-LL6A ^{XX} *	MAB-04AFMM-LL7A ^{XX} * MAB-04BFMM-LL6A ^{XX} *	-

* XX: Choose the cable length from 01~99m

Other Size > Receptacle and Mating Pair

<ul style="list-style-type: none"> • Male Connector (Housing) • Female Contacts • Push Lock 		Receptacle 	Field Installable 	Field Installable
Current Rating (Code)	Contacts 2	Male Connector (M) Female Contacts (F)	Female Connector (F) Male Contacts (M)	Female Connector (F) Male Contacts (M)
5A (PLD)	02,03,04	PLD- 2 PMFS-QC7001	PLD- 2 BFMA-QL7001	-

Other Size > In-line

<ul style="list-style-type: none"> • Male Connector (Housing) • Female Contacts • Push Lock 		Field Installable 	Field Installable 	Field Installable
Current Rating (Code)	Contacts 2	Male Connector (M) Female Contacts (F)	Female Connector (F) Male Contacts (M)	Female Connector (F) Male Contacts (M)
5A (PLD)	02,03,04	PLD- 2 BMFA-QL7001	PLD- 2 BFMA-QL7001	-

【Note】 Design and specification are subject to change without notice.

Power Connector

PWE, PWF, PWG



PWC, PWCU



PWL



Power II Series: PWJ, PWH

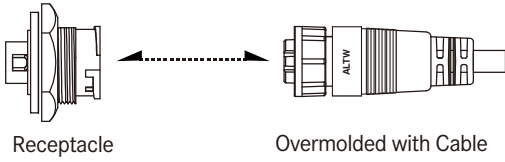


PWCU

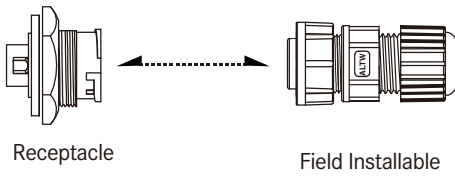


Range Overview

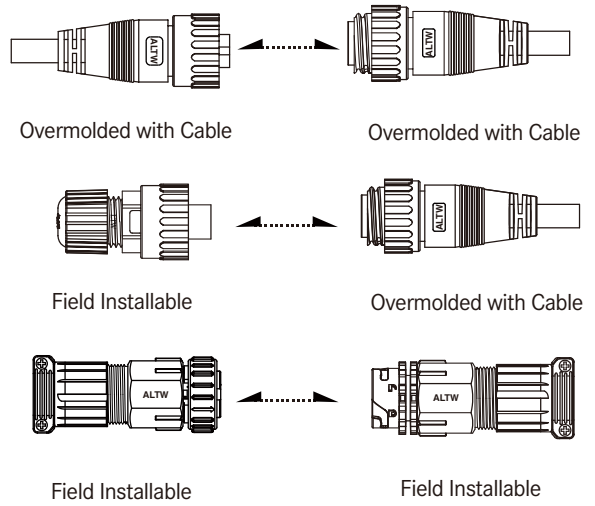
Receptacle to Overmolded with Cable



Receptacle to Field Installable



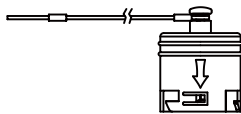
In Line



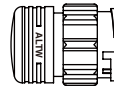
Accessories



Waterproof Cap
See page 21-13



Waterproof Cap
See page 21-13



Waterproof Cap
See page 21-13

[Note] Design and specification are subject to change without notice.

Specification

Identifications	Power Connector
Description	Receptacle Overmolded with Cable Field Installable
Current Rating / Data	8A, 12A, 16A, 20A, 25A, 30A, 10A+2A, 20A+2A
Material	Contacts: Copper Alloy, Gold Plated Connector Body (Housing) : Nylon+GF, UL Recognized, PPE
Waterproof Rating	IP66~68
Temperature Range	Receptacle : -40°C ~ +105°C Overmolded with Cable : -20°C ~ +80°C Field Installable : -40°C ~ +105°C
Contact Resistance	≤ 5mΩ
Insulation Resistance	≥ 100MΩ at DC500V
Durability	500 cycles
Breakdown Voltage	≥ AC1000V / 1 minute
More to know	Standard Cable Length: 01~99M

Ordering Information

1	2	3	4	5	6	7	8	9	10
Specification / Current Rating									
(PWE) 8A		(PWCU) 20A+2A							
(PWF) 12A		(PWG) 16A							
(PWC) 20A		(PWJ) 30A*							
(PWH) 25A*		(PWL) 30A**							
Number of Contacts									
02, 03, 04, 05, 06, 07....									
EX. (02) = 2 Contacts									
Connector Body (Style)									
<u>> For Receptacle</u>					<u>> For Overmolded with Cable</u>				
(P) Front Fastened		(A) With Strain Relief							
(R) Rear Fastened		(B) Without Strain Relief							
<u>> For Field installable</u>									
(B) Without Strain Relief									
Connector (Housing) Gender									
(M) Male Connector					(F) Female Connector				
Contact Gender									
(M) Male					(C) Combo				
(F) Female									
Assemble Style									
<u>> For Receptacle</u>					<u>> For Overmolded with Cable</u>				
(S) Solder Type					(M) Overmolded with Cable				
(B) Screw in Type					<u>> For Field Installable</u>				
(C) Crimp Type					(A) Field installable (Solder)				
					(B) Screw in Type				
					(C) Crimp Type				
Mating Style									
(S) Screw Thread					(L) 2 or 3 Points Lock Bayonet				
(T) 3 Points Lock Bayonet									
Backshell									
<u>> For Receptacle</u>			<u>> For Overmolded with Cable</u>			<u>> For Field Installable</u>			
(C) Circular			(L) Straight			(L) Straight			
(S) Square			(R) Right Angle			(R) Right Angle			
Waterproof Rating									
(6) IP 66									
(7) IP 67									
(8) IP 68									
More Information									
<u>> For Receptacle</u>			<u>> For Overmolded with Cable</u>			<u>> For Field Installable</u>			
001, 002, 003.....			(□)+(■) : Cable Type + Cable Length			(001) Cable OD range 12-16mm			
Without Cable : Different Versions			EX. (A01) = UL2464 Cable + 1M			(002) Cable OD range 09-12mm			
			(■) : Cable Type			(■) : Cable Length			
			(A) UL2464 Cable		(D) SJTW Cable		From 1M to 99M		
			(B) Power Cable(TC-ER)		(E) H05 Cable		EX. (01) = 1M		
			(C) SJTOW Cable		(F) H07 Cable				

* Recommended For Inverter Application

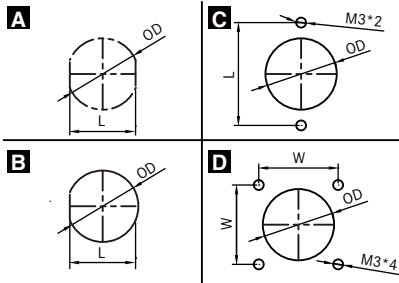
** Recommended For LED Application

[Note] Design and specification are subject to change without notice.

Physical Dimension

Receptacle Cut-Out

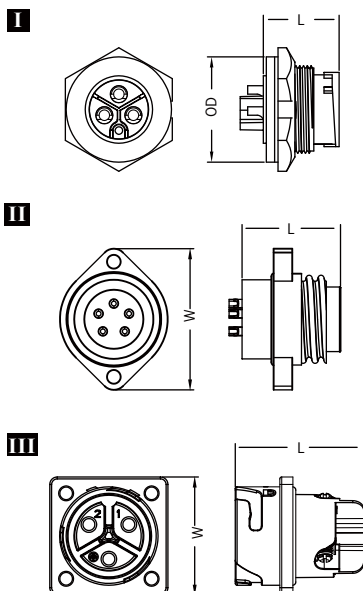
Panel Cut-Out



Connector(Housing) Gender Current Rating*	Type	L / W		OD	
		Male		Female	
8A (PWE)	C	31.1	21.55	31.1	21.55
12A (PWF)	C	31.1	21.55	31.1	21.55
16A (PWG)	C	31.1	21.60	31.1	21.60
20A (PWC)	B	19.4	20.80	-	-
25A (PWH)	B	30.2	32.00	-	-
	A	23.2	25.20	-	-
20A+2A (PWCU)	B	19.4	20.80	-	-
30A (PWL)	D	23.0	23.00	-	-
30A (PWJ)	A	23.2	25.20	-	-

Unit: mm

Connector Dimension

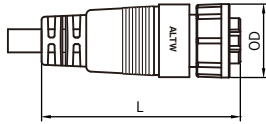


Connector(Housing) Gender Current Rating*	Type	L		OD / W		Recommend Panel Thickness
		Female	Male	Female	Male	
8A (PWE)	II	27.50	26.50	38.00	38.00	-
12A (PWF)	II	27.50	26.50	38.00	38.00	-
16A (PWG)	II	32.40	31.00	38.00	38.00	-
20A (PWC)	I	-	18.00	-	25.00	4.5 mm Max.
25A (PWH)	I	-	55.00	-	40.00	5.0 mm Max.
		-	47.00	-	35.00	0.5~8 mm
20A+2A (PWCU)	I	-	18.00	-	25.00	4.5 mm Max.
30A (PWL)	III	-	34.60	-	31.80	-
30A (PWJ)	I	-	47.00	-	35.00	0.5~8 mm

Unit: mm

*Current rating represents a maximum value for a largest wire size recommended for use.

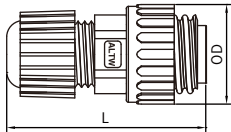
∟ Overmolded with Cable



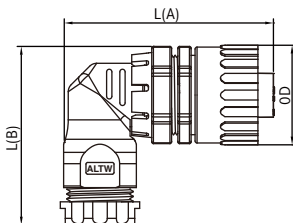
Connector(Housing) Gender Current Rating*	L		OD	
	Female	Male	Female	Male
8A (PWE)	70.3	72.0	30.2	30.2
12A (PWF)	70.3	72.0	30.2	30.2
20A (PWC)	60.0	65.5	22.2 (L)** 23.0 (T)**	18.0
25A (PWH)	91.55	100.4	40.0	31.75
20A+2A (PWCU)	60.0	65.5	22.2	18.0

** (L) 2 Points Lock Bayonet | (T) 3 Points Lock Bayonet

∟ Field Installable



(See 3rd top-right hand chart)



(See bottom right hand chart)

Connector(Housing) Gender Current Rating*	L		OD	
	Female	Male	Female	Male
8A (PWE)	60.7	60.4	30.2	30.2
12A (PWF)	60.7	60.4	30.2	30.2
16A (PWG)	67.0	67.0	30.2	30.2
20A (PWC)	48.15	-	22.2	-
20A+2A (PWCU)	88.4	91.0	33.0	26.9
	48.15	-	22.2	-
25A (PWH)	87.4	84.1	38.0	38.0
30A (PWL)	92.14	-	35.2	-
30A (PWJ)	87.4	84.1	38.0	38.0


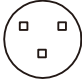
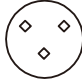
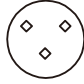
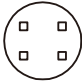




Connector(Housing) Gender Current Rating	L [A]	L [B]	OD
	Female / Male	Female / Male	Female / Male
16A (PWG)	62.0	54.0	30.2

Unit: mm

*Current rating represents a maximum value for a largest wire size recommended for use.

[Note] Design and specification are subject to change without notice.

Contact Configuration

	8A (PWE)		12A (PWF)		16A (PWG)		20A (PWC)	
	MM or FF	MF or FM	MM or FF	MF or FM	MM or FF	MF or FM	MM or FF	MF or FM
4 5								
2Contacts (02)			 R C F					
3Contacts (03)			 R C F				 R C	 R C
4Contacts (04)			 R C F		 F			
5Contacts (05)	 R C F							
6Contacts (06)	 R C F							
7Contacts (07)	 R C F							
12Contacts (12)								

25A (PWH)		20A+2A (PWCU)		30A (PWL)/(PWJ)	
MM or FF	MF or FM	MM or FF	MF or FM	MM or FF	MF or FM
R C				R F	R F
		R C F	R C F		
R F	R F				
			F		

R: receptacle
C: overmolded with cable
F: field installable

- 1**
- △ 8A (PWE)
 - 12A (PWF)
 - ◆ 16A (PWG)
 - ◇ 20A (PWC)
 - 25A (PWH)
 - ◊ 20A+2A (PWCU)
 - 30A (PWL)

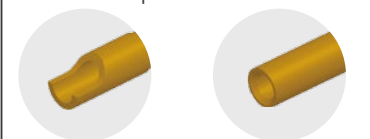
Number of Contacts: **2**
 Ex.2 contacts (02)

Connector (Housing) Gender: **4**
 Male(M) or Female(F)

Contact Gender: **5**
 Male(M) or Female(F)

More to Choose: **6**

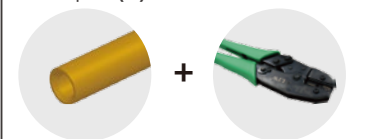
- Solder (S)
 - Solder Cup
 - Solder Contact



- Screw In (B)



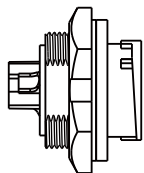
- Crimped (C)



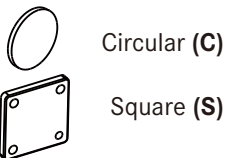
[Note] Design and specification are subject to change without notice.

Product Features

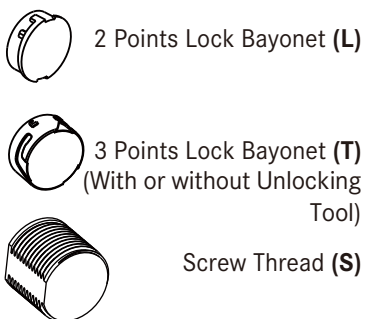
Receptacle



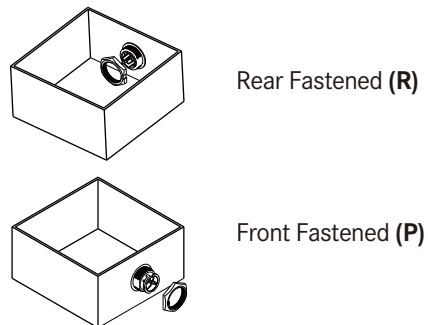
Backshell 8



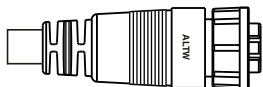
Mating Style 7



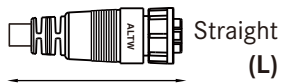
Connector Body(Style) 3



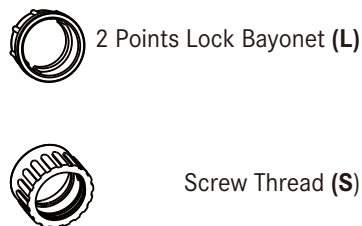
Overmolded with Cable



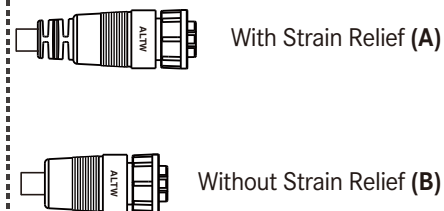
Backshell 8



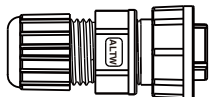
Mating Style 7



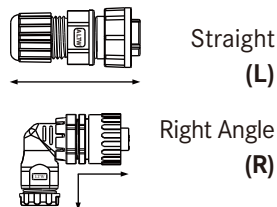
Connector Body(Style) 3



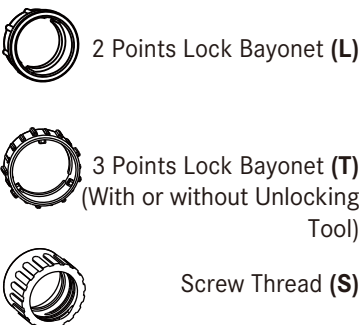
Field Installable



Backshell 8



Mating Style 7

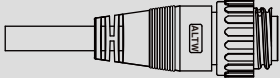
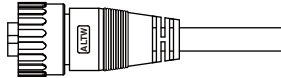



Connector Body(Style) 3



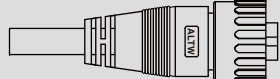
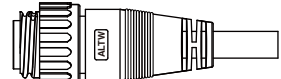
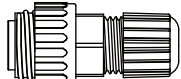
Find Our Standard Products

└ In-line

<ul style="list-style-type: none"> • Male Connector (Housing) • Male Contacts • Screw Thread 		Overmolded with Cable	Overmolded with Cable	Field Installable
				
Current Rating (Code)	Contacts 2	Male Connector (M) Male Contacts (M)	Female Connector (F) Female Contacts (F)	Female Connector (F) Female Contacts (F)
8A (PWE)	05,06,07	PWE- 2 AMMM-SL7A ^{XX} *	PWE- 2 AFFM-SL7A ^{XX} *	PWE- 2 BFFA-SL7001
12A (PWF)	02,03,04	PWF- 2 AMMM-SL7A ^{XX} *	PWF- 2 AFFM-SL7A ^{XX} *	PWF- 2 BFFA-SL7001
25A (PWH)	03	PWH-03AMMM-SL7A ^{XX} *	PWH-03AFFM-SL7A ^{XX} *	-

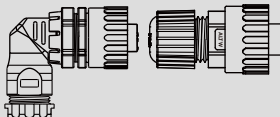

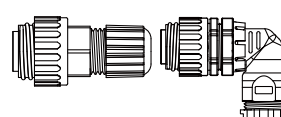
* XX: Choose the cable length from 01-99m

└ In-line

<ul style="list-style-type: none"> • Female Connector (Housing) • Female Contacts • Screw Thread 		Overmolded with Cable	Overmolded with Cable	Field Installable
				
Current Rating (Code)	Contacts 2	Female Connector (F) Female Contacts (F)	Male Connector (M) Male Contacts (M)	Male Connector (M) Male Contacts (M)
8A (PWE)	05,06,07	PWE- 2 AFFM-SL7A ^{XX} *	PWE- 2 AMMM-SL7A ^{XX} *	PWE- 2 BMMA-SL7001
12A (PWF)	02,03,04	PWF- 2 AFFM-SL7A ^{XX} *	PWF- 2 AMMM-SL7A ^{XX} *	PWF- 2 BMMA-SL7001
25A (PWH)	03	PWH-03AFFM-SL7A ^{XX} *	PWH-03AMMM-SL7A ^{XX} *	-

* XX: Choose the cable length from 01-99m

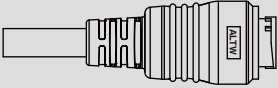
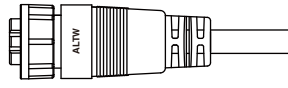
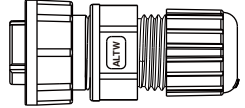
└ In-line

<ul style="list-style-type: none"> • Female Connector (Housing) • Female Contacts • Screw Thread 		Field Installable	Overmolded with Cable	Field Installable
				
		8 Choose straight (L) or right angle (R)		8 Choose straight (L) or right angle (R)
Current Rating (Code)	Contacts 2	Female Connector (F) Female Contacts (F)	Male Connector (M) Male Contacts (M)	Male Connector (M) Male Contacts (M)
8A (PWE)	05~07	PWE- 2 BFFA-SL7001	-	PWE- 2 BMMA-SL7001
12A (PWF)	02~04	PWF- 2 BFFA-SL7001	-	PWF- 2 BMMA-SL7001
16A (PWG)	04	PWG-04BFFB-S 8 7XXX*	-	PWG-04BMMS-S 8 7XXX*

* XXX: Choose Pin Plated: Gold Plated (001), Silver Plated (002) to Tin Plated (003)

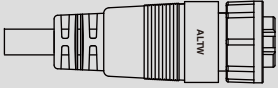
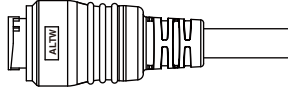
[Note] Design and specification are subject to change without notice.

↘ In-line

<ul style="list-style-type: none"> • Male Connector (Housing) • Male Contacts • 2 Points Lock Bayonet & 3 Points Lock Bayonet 		Overmolded with Cable →	Overmolded with Cable →	Field Installable
				
Current Rating (Code)	Contacts	Male Connector (M) Male Contacts (M)	Female Connector (F) Female Contacts (F)	Female Connector (F) Female Contacts (F)
20A (PWC)	03	PWC-03AMMM-LL7A ^{XX} * PWC-03AMMM-LL7B ^{XX} * PWC-03AMMM-LL7D ^{XX} * PWC-03AMMM-LL7E ^{XX} * PWC-03BMMM-LL7D ^{XX} * PWC-03BMMM-LL7E ^{XX} * PWC-03AMMM-TL7A ^{XX} * PWC-03AMMM-TL7B ^{XX} *	PWC-03AFFM-LL7A ^{XX} * PWC-03AFFM-LL7B ^{XX} * PWC-03AFFM-LL7D ^{XX} * PWC-03AFFM-LL7E ^{XX} * PWC-03BFFM-LL7D ^{XX} * PWC-03BFFM-LL7E ^{XX} * PWC-03AFFM-TL7A ^{XX} * PWC-03AFFM-TL7B ^{XX} *	PWC-03BFFA-LL7 ^{XXX} ** PWC-03BFFA-TL7001
20A+2A (PWCU)	04	PWCU-04AMMM-LL7A ^{XX} * PWCU-04AMMM-LL7B ^{XX} * PWCU-04AMMM-TL7A ^{XX} * PWCU-04AMMM-TL7B ^{XX} *	PWCU-04AFFM-LL7A ^{XX} * PWCU-04AFFM-LL7B ^{XX} * PWCU-04AFFM-TL7A ^{XX} * PWCU-04AFFM-TL7B ^{XX} *	PWCU-04BFFA-LL7 ^{XXX} ** PWCU-04BFFA-TL7001

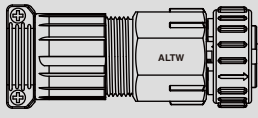
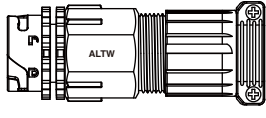
* XX: Choose the cable length from 01~99m
** XXX: Select UL (002) or Non-UL (001)

↘ In-line

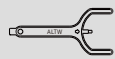

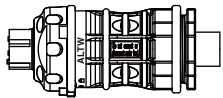
<ul style="list-style-type: none"> • Female Connector (Housing) • Female Contacts • 2 Points Lock Bayonet 		Overmolded with Cable →	Overmolded with Cable →	Field Installable
				
Current Rating (Code)	Contacts	Female Connector (F) Female Contacts (F)	Male Connector (M) Male Contacts (M)	-
20A (PWC)	03	PWC-03AFFM-LL7A ^{XX} * PWC-03AFFM-LL7B ^{XX} * PWC-03AFFM-LL7D ^{XX} * PWC-03AFFM-LL7E ^{XX} *	PWC-03AMMM-LL7A ^{XX} * PWC-03AMMM-LL7B ^{XX} * PWC-03AMMM-LL7D ^{XX} * PWC-03AMMM-LL7E ^{XX} *	-
20A+2A (PWCU)	(1+3)	PWCU-04AFFM-LL7A ^{XX} * PWCU-04AFFM-LL7B ^{XX} *	PWCU-04AMMM-LL7A ^{XX} * PWCU-04AMMM-LL7B ^{XX} *	-

* XX: Choose the cable length from 01~99m

∨ In-line

<ul style="list-style-type: none"> • Female Connector (Housing) • Female Contacts • 3 Points Lock Bayonet 		Field Installable \dashrightarrow Overmolded with Cable \dashrightarrow Field Installable 		Field Installable 
Current Rating (Code)	Contacts	Female Connector (F) Female Contacts (F)	Male Connector (M) Male Contacts (M)	Male Connector (M) Male Contacts (M)
20A+2A (PWCU)	(6+6)	PWCU-12BFFA-TL7001	-	PWCU-12BMMA-TL7001

∨ In-line




<ul style="list-style-type: none"> • Male Connector (Housing) • Male Contacts • 3 Points Lock Bayonet • Unlock Tool Needed (Part Number: ANB00010649) 		Field Installable \dashrightarrow Overmolded with Cable \dashrightarrow Field Installable 		Field Installable 
Current Rating (Code)	Contacts	Male Connector (M) Male Contacts (M)	Female Connector (F) Female Contacts (F)	Female Connector (F)** Female Contacts (F)
25A (PWH)	05	PWH-05BMMC-LL8XXX*	-	PWH-05BFFC-LL8XXX*
30A (PWJ)	03	PWJ-03BMMB-LL8XXX*	-	PWJ-03BFFB-LL8XXX*

* XXX: Choose the cable OD range 12~16mm (001) or OD 09~12mm (002)

** The unlock tool is packed with the female connector to sell.

[Note] Design and specification are subject to change without notice.

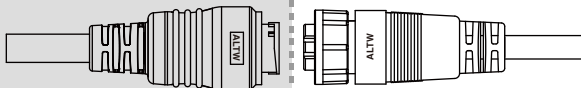
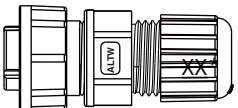
↘ In-line

<ul style="list-style-type: none"> • Male Connector (Housing) • Female Contacts • 3 Points Lock Bayonet • Unlock Tool Needed (Part Number: ANB00010649) 		Field Installable	Overmolded with Cable	Field Installable
				
Current Rating (Code)	Contacts	Male Connector (M) Female Contacts (F)	Female Connector (F) Male Contacts (M)	Female Connector (F)** Male Contacts (M)
25A (PWH)	05	PWH-05BMFC-LL8XXX*	-	PWH-05BFMC-LL8XXX*
30A (PWJ)	03	PWJ-03BMFB-LL8XXX*	-	PWJ-03BFMB-LL8XXX*

* XXX: Choose the cable OD range 12~16mm (001) or OD 09~12mm (002)

** The unlock tool is packed with the female connector to sell.

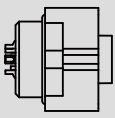

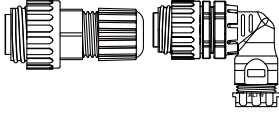
↘ In-line

<ul style="list-style-type: none"> • Male Connector (Housing) • Male Contacts • 2 Points Lock Bayonet & 3 Points Lock Bayonet 		Overmolded with Cable	Overmolded with Cable	Field Installable
				
Current Rating (Code)	Contacts	Male Connector (M) Female Contacts (F)	Female Connector (F) Male Contacts (M)	Female Connector (F) Male Contacts (M)
20A (PWC)	03	PWC-03AMFM-LL7AXX*	PWC-03AFMM-LL7AXX*	PWC-03BFMA-LL7XXX**
		PWC-03AMFM-LL7BXX*	PWC-03AFMM-LL7BXX*	
		PWC-03AMFM-LL7DXX*	PWC-03AFMM-LL7DXX*	
		PWC-03AMFM-LL7EXX*	PWC-03AFMM-LL7EXX*	
		PWC-03BMFM-LL7DXX*	PWC-03BFMM-LL7DXX*	
		PWC-03BMFM-LL7EXX*	PWC-03BFMM-LL7EXX*	
		PWC-03AMFM-TL7AXX*	PWC-03AFMM-TL7AXX*	
		PWC-03AMFM-TL7BXX*	PWC-03AFMM-TL7BXX*	
20A+2A (PWCU)	04	PWCU-04AMFM-LL7AXX*	PWCU-04AFMM-LL7AXX*	-
		PWCU-04AMFM-LL7BXX*	PWCU-04AFMM-LL7BXX*	

* XX: Choose the cable length from 1~99m

** XXX: Select UL (002) or Non-UL (001)

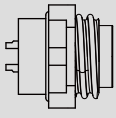

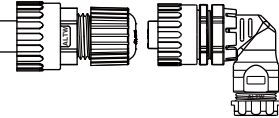
Receptacle and Mating Pair

<ul style="list-style-type: none"> • Female Connector (Housing) • Female Contacts • Screw Thread 		Receptacle 	Overmolded with Cable 	Field Installable 
		8 Choose straight (L) or right angle (R)		
Current Rating (Code)	Contacts 2	Female Connector (F) Female Contacts (F)	Male Connector (M) Male Contacts (M)	Male Connector (M) Male Contacts (M)
8A (PWE)	05~07	PWE-2 PFFS-SC7001	PWE-2 AMMM-SL7A \underline{XX} **	PWE-2 BMMA-SL7001
12A (PWF)	02~04	PWF-2 PFFS-SC7001	PWF-2 AMMM-SL7A \underline{XX} **	PWF-2 BMMA-SL7001
16A (PWG)	04	PWG-04PFFB-SC7 \underline{XXX} *	-	PWG-04BMMB-S 8 7 \underline{XXX} *

* Choose Pin Plated: Gold Plated (001) / Silver Plated (002) / Tin Plated (003)

** Choose the cable length from 01~99m

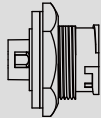
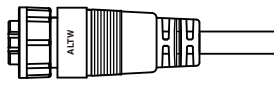
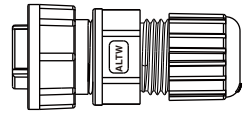
Receptacle and Mating Pair

<ul style="list-style-type: none"> • Male Connector (Housing) • Male Contacts • Screw Thread 		Receptacle 	Overmolded with Cable 	Field Installable 
		8 Choose straight (L) or right angle (R)		
Current Rating (Code)	Contacts 2	Male Connector (M) Male Contacts (M)	Female Connector (F) Female Contacts (F)	Female Connector (F) Female Contacts (F)
8A (PWE)	05~07	PWE-2 PMMS-SC7001	PWE-2 AFFM-SL7A \underline{XX} **	PWE-2 BFFA-SL7001
12A (PWF)	02~04	PWF-2 PMMS-SC7001	PWF-2 AFFM-SL7A \underline{XX} **	PWF-2 BFFA-SL7001
16A (PWG)	04	PWG-2 PMMB-SC7 \underline{XXX} *	-	PWG-04BFFB-S 8 7 \underline{XXX} *
25A (PWH)	03	PWH-03PMMB-SC7001	PWH-03AFFM-SL7A \underline{XX} **	-

* Choose Pin Plated: Gold Plated (001) / Silver Plated (002) / Tin Plated (003)

** Choose the cable length from 01~99m

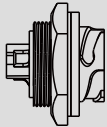
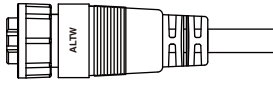
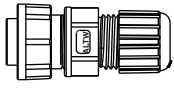
Receptacle and Mating Pair

<ul style="list-style-type: none"> • Male Connector (Housing) • Male Contacts • 2 Points Lock Bayonet 		<p>Receptacle</p> 	<p>Overmolded with Cable</p> 	<p>Field Installable</p> 
Current Rating (Code)	Contacts	Male Connector (M) Male Contacts (M)	Female Connector (F) Female Contacts (F)	Female Connector (F) Female Contacts (F)
20A (PWC)	03	PWC-03PMMS-LC7001 (UL) PWC-03RMMS-LC7001 (Non UL) PWC-03RMMS-LC7002 (UL)	PWC-03AFFM-LL7A ^{XX} * PWC-03AFFM-LL7B ^{XX} * PWC-03AFFM-LL7D ^{XX} * PWC-03AFFM-LL7E ^{XX} * PWC-03BFFM-LL7D ^{XX} * PWC-03BFFM-LL7E ^{XX} *	PWC-03BFFA-LL7 ^{XXX} **
20A+2A (PWCU)	(3+1)	PWCU-04RMMS-LC7001 (Non UL) PWCU-04RMMS-LC7002 (UL)	PWCU-04AFFM-LL7A ^{XX} * PWCU-04AFFM-LL7B ^{XX} *	-

* ^{XX}: Choose the proper cable length from 01-99m


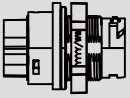

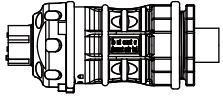
** ^{XXX}: Select UL (002) or Non-UL (001)

Receptacle and Mating Pair

<ul style="list-style-type: none"> • Male Connector (Housing) • Male Contacts • 3 Points Lock Bayonet 		Receptacle 	Overmolded with Cable 	Field Installable 
			** Cable length from 1~99m for your connector	***Selecting UL(002) or Non-UL (001)
Current Rating (Code)	Contacts	Male Connector (M) Male Contacts (M)	Female Connector (F) Female Contacts (F)	Female Connector (F) Female Contacts (F)
20A (PWC)	03	PWC-03RMMS-TC7001	PWC-03AFFM-TL7A ^{XX} * PWC-03AFFM-TL7B ^{XX} *	-
30A (PWL)	03	PWL-03PMMB-TS7001	-	PWL-03BFFA-TL7 ^{XXX} **

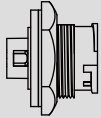
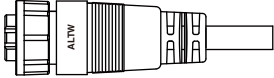
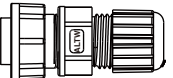
* ^{XX}: Choose the proper cable length from 01~99m
 ** ^{XXX}: Select UL (002) or Non-UL (001)

Receptacle and Mating Pair

<ul style="list-style-type: none"> • Male Connector (Housing) • Male Contacts • 3 Points Lock Bayonet • PWH For Inverter Application • Unlock Tool Needed  (Part Number: ANB00010649) 		Receptacle 	Overmolded with Cable 	Field Installable  UL 6703A Certification (E-Number 346280)
Current Rating (Code)	Contacts	Male Connector (M) Male Contacts (M)	Female Connector (F) Female Contacts (F)	Female Connector (F)* Female Contacts (F)
25A (PWH)	05	PWH-05PMMC-LC8001	-	PWH-05BFFC-LL8 ^{XXX} **
30A (PWJ)	03	PWJ-03PMMB-LC8001	-	PWJ-03BFFB-LL8 ^{XXX} **

* The unlock tool is packed with the female connector to sell.
 ** ^{XXX}: Select the cable OD range 12~16mm (001) or OD 09~12mm (002)

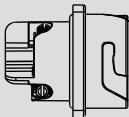

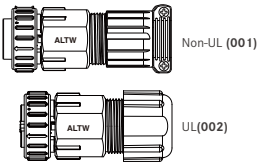
Receptacle and Mating Pair

<ul style="list-style-type: none"> • Male Connector (Housing) • Female Contacts • 2 Points Lock Bayonet & 3 Points Lock Bayonet 		Receptacle 	Overmolded with Cable 	Field Installable 
Current Rating (Code)	Contacts	Male Connector (M) Female Contacts (F)	Female Connector (M) Male Contacts (F)	Female Connector (M) Male Contacts (F)
20A (PWC)	03	PWC-03PMFS-LC7001 PWC-03RMFS-LC7XXX* PWC-03RMFS-TC7001	PWC-03AFMM-LL7AXX** PWC-03AFMM-LL7BXX** PWC-03AFMM-LL7DXX** PWC-03AFMM-LL7EXX** PWC-03AFMM-TL7AXX** PWC-03AFMM-TL7BXX**	PWC-03BFMA-LL7XXX* PWC-03BFMA-TL7001
20A+2A (PWCU)	(3+1)	PWCU-04RMFS-LC7XXX*	PWCU-04AFMM-LL7AXX** PWCU-04AFMM-LL7BXX**	PWCU-04BFMA-LL7002


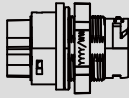

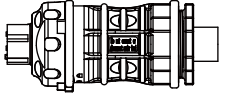
* XXX: Select UL (002) or Non-UL (001)

** XX: Choose the proper cable length from 01~99m

Receptacle and Mating Pair

<ul style="list-style-type: none"> • Male Connector (Housing) • Female Contacts • 3 Points Lock Bayonet 		Receptacle 	Overmolded with Cable 	Field Installable 
Current Rating (Code)	Contacts	Male Connector (M) Female Contacts (F)	Female Connector (F) Male Contacts (M)	Female Connector (F) Male Contacts (M)
30A (PWL)	03	PWL-03PMFB-TS7001	-	PWL-03BFMA-TL7XXX*

* XXX: Select UL (002) or Non-UL (001)

<ul style="list-style-type: none"> • Male Connector (Housing) • Female Contacts • 3 Points Lock Bayonet • PWJ & PWH For Inverter Application • Unlock Tool Needed  (Part Number: ANB00010649) 		Receptacle 	Overmolded with Cable 	Field Installable  UL 6703A Certification (E-Number 346280)
Current Rating (Code)	Contacts	Male Connector (M) Female Contacts (F)	Female Connector (F) Male Contacts (M)	Female Connector (F)* Male Contacts (M)
25A (PWH)	05	PWH-05PMFC-LC8001	-	PWH-05BFMC-LL8XXX**
30A (PWJ)	03	PWJ-03PMFB-LC8001	-	PWJ-03BFMB-LL8XXX**

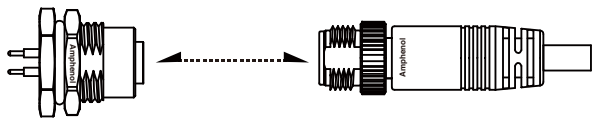
* The unlock tool is packed with the female connector to sell. ** XXX: Select the cable OD range 12~16mm (001) or OD 09~12mm (002)

M Series Sensor Connector



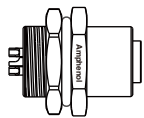
Range Overview

Receptacle to Overmolded with Cable

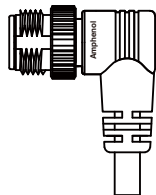


Receptacle

Overmolded with Cable

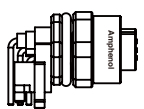


Receptacle



Overmolded with Cable

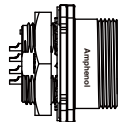
Receptacle to Field Installable



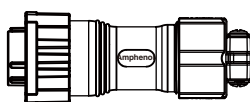
Receptacle



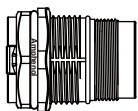
Field Installable



Receptacle



Field Installable

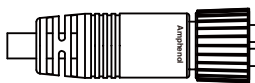


Receptacle

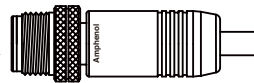


Field Installable

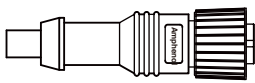
In Line



Overmolded with Cable



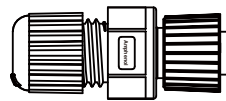
Overmolded with Cable



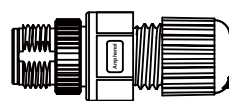
Overmolded with Cable



Field Installable



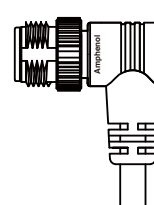
Field Installable



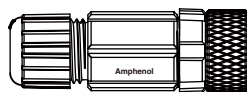
Field Installable



Overmolded with Cable

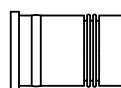


Overmolded with Cable

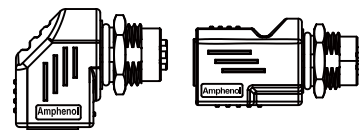


Field Installable

Others

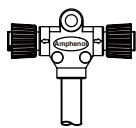


Insert



M12 to RJ45 Adaptor

Accessories



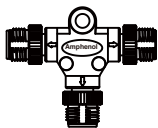
T Cable

See page 21-2



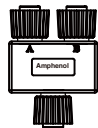
Y Cable

See page 21-3



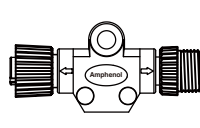
T Adaptor

See page 21-5



Y Adaptor

See page 21-6



I Adaptor

See page 21-8



Waterproof Cap

See page 21-14

Specification

Identifications	M8, M10.5, M12 (A, B, D code), Heavy Duty Shielded Connector, M23
Description	Receptacle Overmolded with Cable Field Installable
Current Rating / Data	1.5A~28A
Material	Contacts: Copper Alloy, Gold Plated Connector Body (Housing) : Nylon+GF or PU, UL Recognized Metal Screw Nut: Zinc Alloy or Copper Ally, Nickel Plated
Waterproof Rating	IP65, IP67~68
Temperature Range	Receptacle: -40°C~105°C Overmolded with Cable: PVC Cable: -20°C~80°C PU Cable: -20°C~85°C Field Installable: -40°C~105°C * Higher working temperature upon request.
Contact Resistance	≤ 10mΩ
Standard Cable Length	01~99M
Mating Cycle	100*Minimum
Vibration	10 ~ 500 Hz and 0.35 mm
Standards	IEC 61076-2-101 IEC 61076-2-104

* Design and specification are subject to change without notice.

Ordering Information

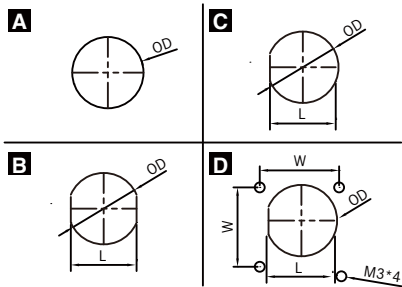
	1	2	3	4	5	6	7	8	9	10
Specification / Size										
<u>>M8 Size</u>										
(8) M8	<u>>Heavy Duty Shielded Connector,</u>									
(8P) M8 (Plastic)	(HB20) Metal, Salt Spray Test 500H, 10A									
(8A) M8 W/ KEY	(LB20) Metal, Salt Spray Test 48H, 10A									
(8AP) M8 W/ KEY (Plastic)	(HC20) Metal, Salt Spray Test 500H, 20A									
<u>>M10.5 Size</u>										
(105) M10.5	(LC20) Metal, Salt Spray Test 48H, 20A									
<u>>M12 Size:</u>										
(12) M12 A-Coded	(HD20) Metal, Salt Spray Test 500H, 5A									
(12L) M12 A-Coded inserted with LED	(LD20) Metal, Salt Spray Test 48H, 5A									
(12P) M12 A-Coded (Plastic)	<u>>M23 Size</u>									
(12S) M12 A-Coded (Shielded)	(LJ23) Metal, Salt Spray Test 48H, 28A									
(12B) M12 B-Coded										
(SBP) M12 B-Coded (Plastic)										
(SBS) M12 B-Coded (Shielded)										
(12D) M12 D-Coded										
(SDP) M12 D-Coded (Plastic)										
(SDS) M12 D-Coded (Shielded)										
Number of Contacts										
02, 03...,14...Contacts										
EX. (02) = 2 Contacts										
Connector Body (Style)										
<u>> For Receptacle</u>										
(P) Panel	<u>> For Overmolded with Cable</u>			<u>> For Field installable</u>						
	(A) With Strain Relief	(B) Without Strain Relief	(D) With Ground Pin							
	(B) Without Strain Relief									
Connector (Housing) Gender										
(M) Male Connector	(F) Female Connector									
Contact Gender										
(M) Male	(I) I style (Male+Female)									
(F) Female										
Assemble Style										
<u>> For Receptacle</u>										
(S) Solder Type	<u>> For Field Installable</u>			<u>> For Overmolded with Cable</u>						
(P) 180° PCB Type	(A) Field installable(Solder)	(M) Overmolded with Cable								
(R) 90° PCB Type	(B) Field installable(Screw)									
(C) Crimp Type	(C) Field installable(Crimp)									
	(D) Field Installable (IDC)									
Mating Style										
(S) Screw Thread	(Q) Quick									
Backshell										
<u>> For Receptacle</u>										
(C) Circular (Rear Fastened)	<u>> For Receptacle</u>			<u>> For Overmolded with Cable</u>		<u>> For Field Installable</u>				
(F) Hexagonal Front Fastened	(W) Square Front Fastened with Screw	(L) Straight	(R) Right Angle	(L) Straight	(R) Right Angle					
(H) Rear Hexagonal (Rear Fastened)	(N) Square Rear Fastened with Nut									
Waterproof Rating										
(5) IP65 (Quick Type)	(8) IP 68									
(7) IP 67										
Cable information										
<u>> For Receptacle</u>										
(001) / (002) : PG9	<u>> For Overmolded with Cable</u>			<u>> For Receptacle with wire harness</u>						
(003) / (004) / (005) : M16	(□)+(■) : Cable Type + Cable Length	(□)+(■) : Cable Type + Wire Length								
(006) : M12	EX. (A01) = UL2464 Cable + 1M	EX. (A15) = UL 1007 (For M8) + 150mm								
	(□) : Cable Type (■) : Cable Length	(□) Cable Type								
	(A) PVC UL2464 Cable From 1M to 99M	(A) UL 1007 (For M8)								
	(B) PU VW-1 Cable EX.(01)= 1M	(B) UL1061 (For M12-PG9 W/ O Logo)								
		(C) UL1061 (For M12-M16 W / O Logo)								
		(■) Wire length								
		(15) 150mm								
		(30) 300mm								
		(50) 500mm								

* UL2517 / UL20549 available by 2014

Physical Dimension

Receptacle

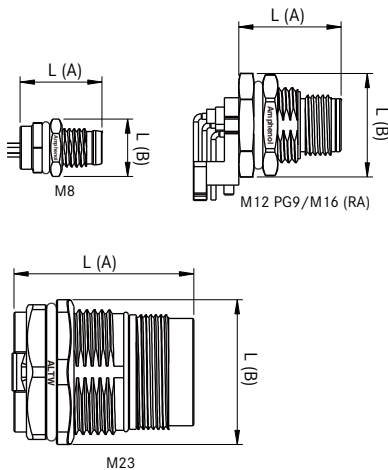
Panel Cut-Out



Size		Dimension			Type	L / W	OD
Size	Thread Description	Female			Male		
M105	M10.5 X 0.75	-	-	-	A	-	10.9
M8	M8 X 1.0	B	7.1	8.1	B	7.1	8.1
		-	-	-	A	-	8.1
M12	M12 X 1.0 - PG9	B	13.6	15.4	B	13.6	15.4
	M12 X 1.0 - M16.0 X 1.5	B	13.6	16.1	B	13.6	16.1
	M12.0 X 1.0	B	10.5	12.2	B	10.5	12.2
HDSC*	M22 X 1.0	-	-	-	C	19.2	20.2
		-	-	-	D	19.2 / 23.0	20.2
M23	M23 X 1.0	-	-	-	C	24.4	25.1

*HDSC: Heavy Duty Shielded Connector

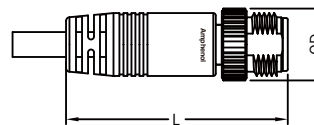
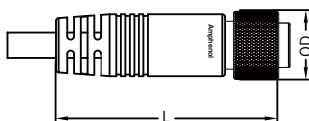
Connector Dimension



Series	Conn. Gender	Receptacle				Panel Thickness		
		Type	Female		Male		Front Fastened	Rear Fastened
			L (A)	L (B)	L (A)	L (B)		
M8	Straight	18.0	13.8	16.4	11.5	3.0 mm Max.	3.5 mm Max.	
M105	Straight	-	-	18.0	15.0	-	6.0 mm Max.	
M12	PG9/ M16	Straight	20.0	20.8	20.5	20.8	4.5mm Max. 4.0mm Max.(Plastic)	4.5mm Max.
		Right Angle	20.0	20.8	20.5	20.8		
	M12* 1.0	Right Angle	16.9	15.0	16.2	15.0	3.0mm Max.	
HDSC*	Straight	-	-	23.5	29.0	9.0mm Min.	5.0 mm Max.	
M23	Straight	-	-	36.0	29.0	6.0 mm Max.	-	

*HDSC: Heavy Duty Shielded Connector

Overmolded with Cable



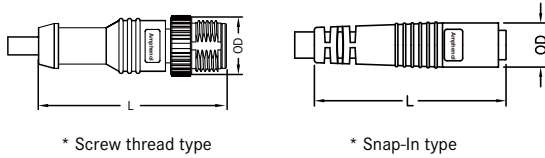
Size		Dimension		L	OD
Size	Thread Description	Female			
M105	M10.5 X 0.75	36.5	8.4		

Size		Dimension		L		OD	
Size	Thread Description	Female	Male	Female	Male		
M105	M10.5 X 0.75	41.5	-	12.0	-		
M8	M8 X 1.0	38.1	42.7	10.1	10.5		
M12	M12.0 X 1.0	43.3	44.4	14.5	14.4		

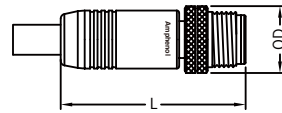
Dimensions are shown in millimeters

M Series Sensor Connector I Physical Dimension

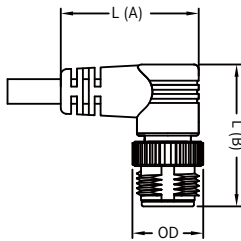
Receptacle I Overmolded with Cable I Field Installable



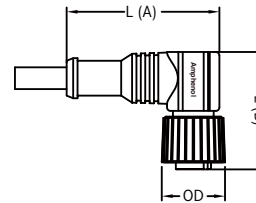
Size		Dimension		L		OD	
Size	Type	Female	Male	Female	Male	Female	Male
M8	Screw Thread M8 X 1.0	36.0	40.5	10.1	10.5		
M8	Snap-In M8 X 1.0	36.5	-	8.4	-		
M105	Screw Thread M10.5 X 0.75	37.2	-	12.0	-		
M12	Screw Thread M12.0 X 1.0	43.3	44.4	14.5	14.4		



Size		Dimension		L		OD	
Size	Thread Description	Female	Male	Female	Male	Female	Male
M12	M12.0 X 1.0	39.2	40.1	14.5	14.5		

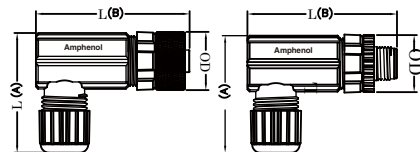
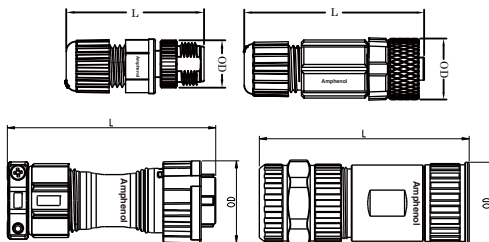


Size		Dimension		L [A]		L [B]		OD	
Size	Thread Description	Female	Male	Female	Male	Female	Male	Female	Male
M105	M10.5 X 0.75	24.0	-	24.0	-	12.0	-		
M8	M8 X 1.0	20.7	20.7	20.0	25.5	10.1	10.5		
M12	M12.0 X 1.0	28.0	28.0	27.9	28.9	14.5	14.4		



Size		Dimension		L [A]		L [B]		OD	
Size	Thread Description	Female	Male	Female	Male	Female	Male	Female	Male
M105	M10.5 X 0.75	19.0	-	24.0	-	12.0	-		
M8	M8 X 1.0	25.0	25.0	21.0	25.6	10.1	10.5		
M12	M12.0 X 1.0	35.0	35.0	26.9	27.9	14.5	14.4		

Field Installable



Size		Dimension		Pin Type		L		OD	
Size	Type	Female	Male	Female	Male	Female	Male	Female	Male
M8	M8 X 1.0	Screw In	55.4	59.1	16.7	16.7			
M12	M12.0 X 1.0	Solder	40.5	41.8	14.5	14.4			
		Screw In	61.3	61.3	20.8	20.8			
M12 Plastic	M12.0 X 1.0	Solder	40.5	41.8	14.8	13.8			
		Screw In	61.3	61.3	20.8	20.4			
HDSC*	M22 X 1.0	-	72.5	-	27.7	-			
M23	M23 X 1.0	-	73.0	-	28.5	-			

Size		Dimension		Pin Type		L [A]		L [B]		OD	
Size	Thread Description	Female	Male	Female	Male	Female	Male	Female	Male	Female	Male
M12 Plastic	M12.0 X 1.0	Screw In	38.9	38.9	52.3	52.3	20.8	20.8			
		Screw In	38.9	38.9	52.3	52.3	20.8	20.8			

Dimensions are shown in millimeters

*HDSC: Heavy Duty Shielded Connector

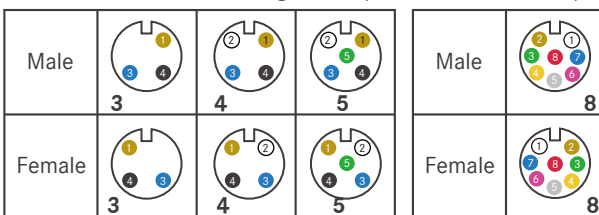
* Design and specification are subject to change without notice.

Contact Configuration

	M8			M105 (2A)	M12 A Code (3~5P: 4A 8P: 2A)	M12 B Code (4A)	M12 D Code (4A)	M12 I Style (4A)				
	(1.5A)	(3A)										
④ ⑤	MM or FF	MM or FF	MM or FF	MF or FM	MM or FF	MF or FM	MM or FF	MF or FM	MM or FF	MF or FM	MMF or FFM	MF or FM
2Pin (02)												
		R C F		R C								
3Pin (03)												
		R C F	R C F	R C	R C F		R F		R F			
4Pin (04)												
		R C F	R C F	R C	R C F		R C F		R C F			
5Pin (05)												
	R C F			R C	R C F		R C F		R C F		R C F	
6Pin (06)												
	R C F											
7Pin (07)												
8Pin (08)												
					R C F							
10Pin (10)												
12Pin (12)												
14Pin (14)												

More to know:

No. of Poles & Contact Configuration (Connection side view)



Color Identification:

1 = Brown, 2 = White, 3 = Blue, 4 = Black, 5 = Green

Color Identification:

1 = White, 2 = Brown, 3 = Green, 4 = Yellow,

5 = Gray, 6 = Pink, 7 = Blue, 8 = Red

HDSC* (5A)		HDSC* (10A)		HDSC* (20A)		M23 (28A)	
MM or FF	MF or FM	MM or FF	MF or FM	MM or FF	MF or FM	MM or FF	MF or FM
					R F		
					R F		
			R F				
			R F				
						R F	R F
			R F				
	R F						
	R F						
	R F						

*HDSC: Heavy Duty Shielded Connector

M12 Panel Version	Screw Thread Size	Logo
001	M12XPG9	With Logo
002	M12XPG9	Without Logo
003	M12XM16.0X1.5	With Logo
004	M12XM16.0X1.5	Without Logo
005	M12XM16.0X1.5	Without Logo
006	M12X1.0	With Logo
007	M12X1.0	Without Logo

* Design and specification are subject to change without notice.

R: receptacle
C: overmolded with cable
F: field installable

- 1**
- 1.5A (M8)
 - 2A (M105/M12 A)
 - 3A (M8)
 - ▲ 4A (M12 A/M12 B/M12 D/M12 I Style)
 - △ 5A (HDSC*)
 - 10A (HDSC*)
 - ◇ 20A (HDSC*)
 - 28A (M23)

2

Contact Number:
 Ex.2 contacts (02)

4

Connector (Housing) Gender:
 Male(M) or Female(F)

5

Contact Gender:
 Male(M) or Female(F)
 Male + Female (I)

6

More to Choose:

- Solder (S)
 - Solder Cup
 - PCB Type
 - 90° PCB (R) - 180° PCB (P)
- 
- 
- 

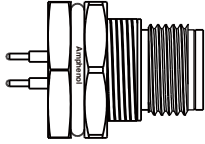
More to know:

A-Code B-Code D-Code I-Style



Product Features

Receptacle



Mating Style 7



Screw Thread (S)

Backshell 8



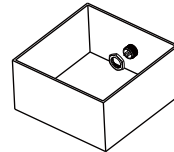
Circular (C)



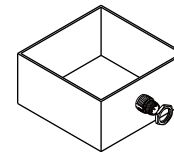
Hexagonal (H)(F)



Square (N)(W)

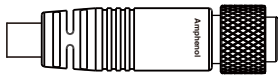


Rear Fastened



Front Fastened (P)

Overmolded with Cable



Mating Style 7

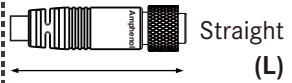


Screw Thread (S)
(For M12)



Quick (Q)
(For M8)

Backshell 8



Straight (L)



Right Angle (R)

Connector Body (Style) 3

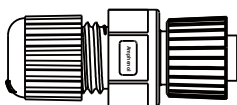


With Strain Relief (A)



Without Strain Relief (B)

Field Installable

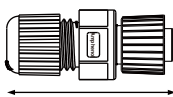


Mating Style 7

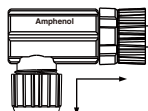


Screw Thread (S)

Backshell 8

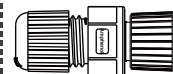


Straight (L)



Right Angle (R)

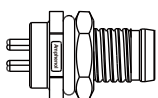


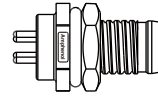





Connector Body (Style) 3



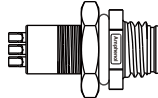


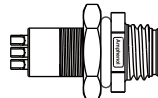





Without Strain Relief (B)

Find Our Standard Products

∟ M8 (Metal) > Receptacle > Male Connector > Front Fastened

> IEC 61076-2-104					
					
Backshell: Hexagonal					
Type	2 Contacts	3 Contacts	4 Contacts	5 Contacts	6 Contacts
PCB Pin	-	8-03PMMP-SF7001	8-04PMMP-SF7001	-	-
Solder Pin	-	8-03PMMS-SF7001	8-04PMMS-SF7001	-	-
Wire Leads (150mm)	-	8-03PMMS-SF7A15	8-04PMMS-SF7A15	-	-
Wire Leads (300mm)	-	8-03PMMS-SF7A30	8-04PMMS-SF7A30	-	-
Wire Leads (500mm)	-	8-03PMMS-SF7A50	8-04PMMS-SF7A50	-	-
> with alignment Key					
					
Backshell: Hexagonal					
Type	2 Contacts	3 Contacts	4 Contacts	5 Contacts	6 Contacts
PCB Pin	8A-02PMMP-SF7001	8A-03PMMP-SF7001	8A-04PMMP-SF7001	8A-05PMMP-SF7001	8A-06PMMP-SF7001
Solder Pin	8A-02PMMS-SF7001	8A-03PMMS-SF7001	8A-04PMMS-SF7001	8A-05PMMS-SF7001	8A-06PMMS-SF7001

∟ M8 (Metal) > Receptacle > Male Connector > Rear Fastened

> IEC 61076-2-104					
					
Backshell: Hexagonal					
Type	2 Contacts	3 Contacts	4 Contacts	5 Contacts	6 Contacts
Solder Pin	-	8-03PMMS-SH7001	8-04PMMS-SH7001	-	-
Wire Leads (150mm)	-	8-03PMMS-SH7A15	8-04PMMS-SH7A15	-	-
Wire Leads (300mm)	-	8-03PMMS-SH7A30	8-04PMMS-SH7A30	-	-
Wire Leads (500mm)	-	8-03PMMS-SH7A50	8-04PMMS-SH7A50	-	-
> with alignment Key					
					
Backshell: Hexagonal					
Type	2 Contacts	3 Contacts	4 Contacts	5 Contacts	6 Contacts
Solder Pin	8A-02PMMS-SH7001	8A-03PMMS-SH7001	8A-04PMMS-SH7001	8A-05PMMS-SH7002	8A-06PMMS-SH7002

* Design and specification are subject to change without notice.

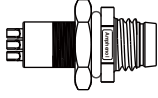
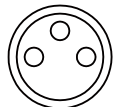
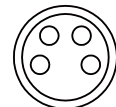
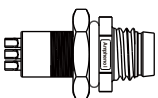





M8 (Metal)

Receptacle > Female Connector
Overmolded with Cable > Male Connector

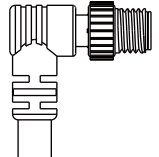
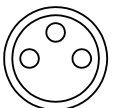
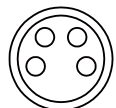
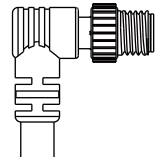





IP 65 . 67 9

Receptacle | Unmated
Overmolded with Cable | Mated
Field Installable | Mated

∟ M8 (Metal) Receptacle > Female Connector > Rear Fastened

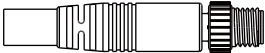
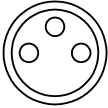







> IEC 61076-2-104						
						
Backshell: Hexagonal						
Type	2 Contacts	3 Contacts	4 Contacts	5 Contacts	6 Contacts	
Solder Pin	-	8-03PFFS-SH7001	8-04PFFS-SH7001	-	-	
Wire Leads (150mm)	-	8-03PFFS-SH715	8-04PFFS-SH715	-	-	
Wire Leads (300mm)	-	8-03PFFS-SH730	8-04PFFS-SH730	-	-	
Wire Leads (500mm)	-	8-03PFFS-SH750	8-04PFFS-SH750	-	-	
> with alignment Key						
						
Backshell: Hexagonal						
Type	2 Contacts	3 Contacts	4 Contacts	5 Contacts	6 Contacts	
Solder Pin	8A-02PFFS-SH7001	8A-03PFFS-SH7001	8A-04PFFS-SH7001	8A-05PFFS-SH7002	8A-06PFFS-SH7002	

∟ M8 (Metal) > Overmolded with cable > Male Connector > Right Angle

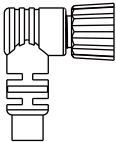
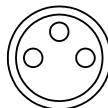
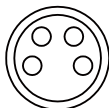
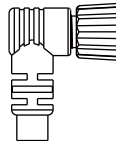





> IEC 61076-2-104						
						
Type	2 Contacts	3 Contacts	4 Contacts	5 Contacts	6 Contacts	
With Strain Relief	-	8-03AMMM-SR7	8-04AMMM-SR7	-	-	
Without Strain Relief	-	8-03BMMM-SR7	8-04BMMM-SR7	-	-	
> with alignment Key						
						
Type	2 Contacts	3 Contacts	4 Contacts	5 Contacts	6 Contacts	
With Strain Relief	8A-02AMMM-SR7	8A-03AMMM-SR7	8A-04AMMM-SR7	8A-05AMMM-SR7	8A-06AMMM-SR7	

Cable Type	1M	2M	5M	10M
PVC	A01	A02	A05	A10
PU	B01	B02	B05	B10

➤ M8 (Metal) > Overmolded with cable > Male Connector > Straight

➤ IEC 61076-2-104					
					
Type	2 Contacts	3 Contacts	4 Contacts	5 Contacts	6 Contacts
With Strain Relief	-	8-03AMMM-SL7	8-04AMMM-SL7	-	-
Without Strain Relief	-	8-03BMMM-SL7	8-04BMMM-SL7	-	-
➤ with alignment Key					
					
Type	2 Contacts	3 Contacts	4 Contacts	5 Contacts	6 Contacts
With Strain Relief	8A-02AMMM-SL7	8A-03AMMM-SL7	8A-04AMMM-SL7	8A-05AMMM-SL7	8A-06AMMM-SL7

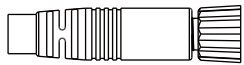
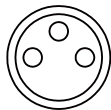
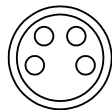
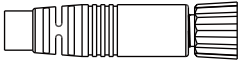



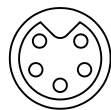
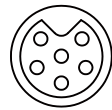
➤ M8 (Metal) > Overmolded with cable > Female Connector > Right Angle

➤ IEC 61076-2-104					
					
Type	2 Contacts	3 Contacts	4 Contacts	5 Contacts	6 Contacts
With Strain Relief	-	8-03AFFM-SR7	8-04AFFM-SR7	-	-
Without Strain Relief	-	8-03BFFM-SR7	8-04BFFM-SR7	-	-
➤ with alignment Key					
					
Type	2 Contacts	3 Contacts	4 Contacts	5 Contacts	6 Contacts
With Strain Relief	8A-02AFFM-SR7	8A-03AFFM-SR7	8A-04AFFM-SR7	8A-05AFFM-SR7	8A-06AFFM-SR7

Cable Type	1M	2M	5M	10M
PVC	A01	A02	A05	A10
PU	B01	B02	B05	B10

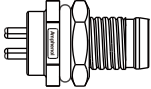
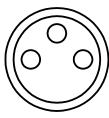

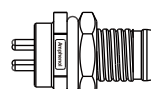





* Design and specification are subject to change without notice.

≧ M8 (Metal) > Overmolded with cable > Female Connector > Straight

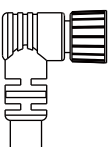
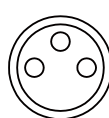

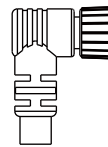





> IEC 61076-2-104					
					
Type	2 Contacts	3 Contacts	4 Contacts	5 Contacts	6 Contacts
With Strain Relief	-	8-03AFFM-SL7	8-04AFFM-SL7	-	-
Without Strain Relief	-	8-03BFFM-SL7	8-04BFFM-SL7	-	-
> with alignment Key					
					
Type	2 Contacts	3 Contacts	4 Contacts	5 Contacts	6 Contacts
With Strain Relief	8A-02AFFM-SL7	8A-03AFFM-SL7	8A-04AFFM-SL7	8A-05AFFM-SL7	8A-06AFFM-SL7

Cable Type	1M	2M	5M	10M
PVC	A01	A02	A05	A10
PU	B01	B02	B05	B10

∟ **M8 (Plastic) > Receptacle > Male Connector > Front Fastened**

> IEC 61076-2-104						
						
Backshell: Hexagonal						
Type	2 Contacts	3 Contacts	4 Contacts	5 Contacts	6 Contacts	
PCB Pin	-	8P-03PMMP-SF7001	8P-04PMMP-SF7001	-	-	
Solder Pin	-	8P-03PMMS-SF7001	8P-04PMMS-SF7001	-	-	
> with alignment Key						
						
Backshell: Hexagonal						
Type	2 Contacts	3 Contacts	4 Contacts	5 Contacts	6 Contacts	
PCB Pin	8AP-02PMMP-SF7001	8AP-03PMMP-SF7001	8AP-04PMMP-SF7001	8AP-05PMMP-SF7001	8AP-06PMMP-SF7001	
Solder Pin	8AP-02PMMS-SF7001	8AP-03PMMS-SF7001	8AP-04PMMS-SF7001	8AP-05PMMS-SF7001	8AP-06PMMS-SF7001	

∟ **M8 (Plastic) > Overmolded with cable > Male Connector > Right Angle**

> IEC 61076-2-104						
						
Type	2 Contacts	3 Contacts	4 Contacts	5 Contacts	6 Contacts	
With Strain Relief	-	8P-03AMMM-SR7	8P-04AMMM-SR7	-	-	
Without Strain Relief	-	8P-03BMMM-SR7	8P-04BMMM-SR7	-	-	
> with alignment Key						
						
Type	2 Contacts	3 Contacts	4 Contacts	5 Contacts	6 Contacts	
With Strain Relief	8AP-02AMMM-SR7	8AP-03AMMM-SR7	8AP-04AMMM-SR7	8AP-05AMMM-SR7	8AP-06AMMM-SR7	

Cable Type	1M	2M	5M	10M
PVC	A01	A02	A05	A10
PU	B01	B02	B05	B10

* Design and specification are subject to change without notice.


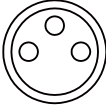




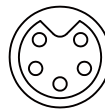

M8 (Plastic)

Overmolded with Cable > Male / Female Connector

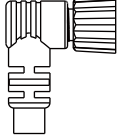
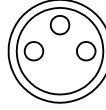
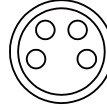
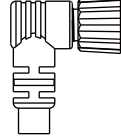




IP 67 . 68 9

Receptacle | Unmated
Overmolded with Cable | Mated
Field Installable | Mated

➤ **M8 (Plastic) > Overmolded with cable > Male Connector > Straight**


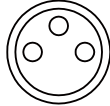
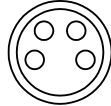




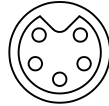

> IEC 61076-2-104					
					
Type	2 Contacts	3 Contacts	4 Contacts	5 Contacts	6 Contacts
With Strain Relief	-	8P-03AMMM-SL7	8P-04AMMM-SL7	-	-
Without Strain Relief	-	8P-03BMMM-SL7	8P-04BMMM-SL7	-	-
> with alignment Key					
					
Type	2 Contacts	3 Contacts	4 Contacts	5 Contacts	6 Contacts
With Strain Relief	8AP-02AMMM-SL7	8AP-03AMMM-SL7	8AP-04AMMM-SL7	8AP-05AMMM-SL7	8AP-06AMMM-SL7

➤ **M8 (Plastic) > Overmolded with cable > Female Connector > Right Angle**


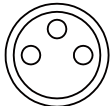

> IEC 61076-2-104					
					
Type	2 Contacts	3 Contacts	4 Contacts	5 Contacts	6 Contacts
With Strain Relief	-	8P-03AFFM-SR7	8P-04AFFM-SR7	-	-
Without Strain Relief	-	8P-03BFFM-SR7	8P-04BFFM-SR7	-	-
> with alignment Key					
					
Type	2 Contacts	3 Contacts	4 Contacts	5 Contacts	6 Contacts
With Strain Relief	8AP-02AFFM-SR7	8AP-03AFFM-SR7	8AP-04AFFM-SR7	8AP-05AFFM-SR7	8AP-06AFFM-SR7

Cable Type	1M	2M	5M	10M
PVC	A01	A02	A05	A10
PU	B01	B02	B05	B10


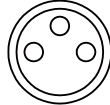
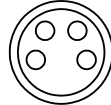
≧ M8 (Plastic) > Overmolded with cable > Female Connector > Straight

> IEC 61076-2-104						
						
Type	2 Contacts	3 Contacts	4 Contacts	5 Contacts	6 Contacts	
With Strain Relief	-	8P-03AFFM-SL7	8P-04AFFM-SL7	-	-	
Without Strain Relief	-	8P-03BFFM-SL7	8P-04BFFM-SL7	-	-	
* Mating style (Quick) also available for 3 & 4 contacts						
> with alignment Key						
						
Type	2 Contacts	3 Contacts	4 Contacts	5 Contacts	6 Contacts	
With Strain Relief	8AP-02AFFM-SL7	8AP-03AFFM-SL7	8AP-04AFFM-SL7	8AP-05AFFM-SL7	8AP-06AFFM-SL7	
* Mating style (Quick) also available for 3 & 4 contacts						
Cable Type	1M	2M	5M	10M		
PVC	A01	A02	A05	A10		
PU	B01	B02	B05	B10		

≧ M8 (Plastic) > Field Installable > Male Connector > Straight

					
Type	Contact Type	3 Contacts	4 Contacts	5 Contacts	6 Contacts
Without Strain Relief	Solder	-	-	-	-
	Screw-in	8P-03BMMB-SL7001	8P-04BMMB-SL7001		

≧ M8 (Plastic) > Field Installable > Female Connector > Straight

					
Type	Contact Type	3 Contacts	4 Contacts	5 Contacts	6 Contacts
Without Strain Relief	Solder	-	-	-	-
	Screw-in	-	8P-04BFFB-SL7001	-	-

* Design and specification are subject to change without notice.

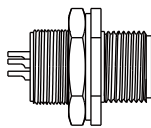
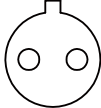
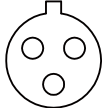
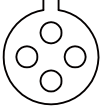
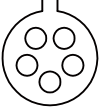
M10.5 (Metal)

Receptacle > Male Connector

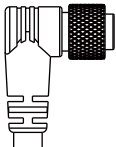

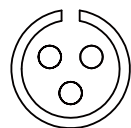
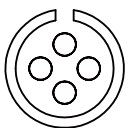
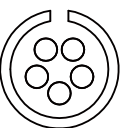
Overmolded with Cable > Male Connector

Receptacle | Unmated
Overmolded with Cable | Mated
Field Installable | Mated

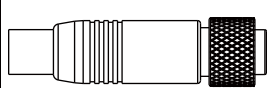
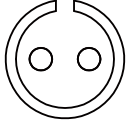

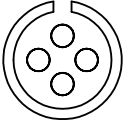
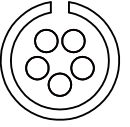
∟ **M10.5 (Metal) > Receptacle > Male Connector > Rear Fastened**

 Backshell: Hexagonal Backshell: Circular				
	Type	2 Contacts	3 Contacts	4 Contacts
Backshell: Hexagonal Solder Pin (180°)	105-02PMFS-SH7001	105-03PMFS-SH7001	105-04PMFS-SH7001	105-05PMFS-SH7001
Backshell: Circular Solder Pin (180°)	105-02PMFS-SC7001	105-03PMFS-SC7001	105-04PMFS-SC7001	105-05PMFS-SC7001

∟ **M10.5 (Metal) > Overmolded with cable > Male Connector > Right Angle**

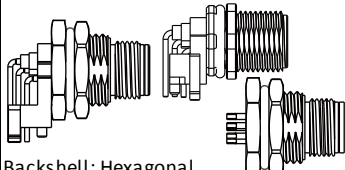
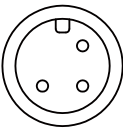
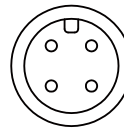
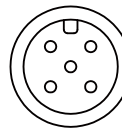
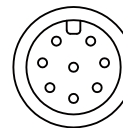
				
	Type	2 Contacts	3 Contacts	4 Contacts
With Strain Relief	105-02AMMM-SR7A	105-03AMMM-SR7A	105-04AMMM-SR7A	105-05AMMM-SR7A
Without Strain Relief	105-02BFMM-SR7A	105-03BFMM-SR7A	105-04BFMM-SR7A	105-05BFMM-SR7A

∟ **M10.5 (Metal) > Overmolded with cable > Male Connector > Straight**

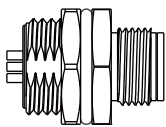
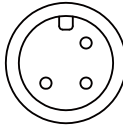
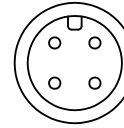
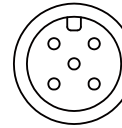
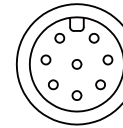
				
	Type	2 Contacts	3 Contacts	4 Contacts
With Strain Relief	105-02AFMM-SL7A	105-03AFMM-SL7A	105-04AFMM-SL7A	105-05AFMM-SL7A
Without Strain Relief	105-02BFMM-SL7A	105-03BFMM-SL7A	105-04BFMM-SL7A	105-05BFMM-SL7A

Cable Type	1M	2M	5M	10M
PVC	A01	A02	A05	A10
PU	B01	B02	B05	B10

∟ **M12 A (Metal) > Receptacle > Male Connector > Front Fastened**

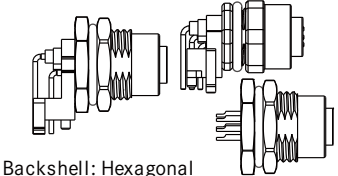
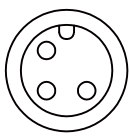
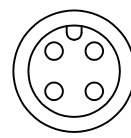
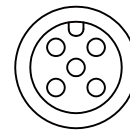
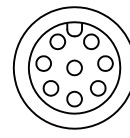
 <p>Backshell: Hexagonal</p>					
Type	Mounting Thread	3 Contacts	4 Contacts	5 Contacts	8 Contacts
PCB Pin (180°)	PG9	12-03PMMP-SF8001	12-04PMMP-SF8001	12-05PMMP-SF8001	12-08PMMP-SF8001
	M16.0	12-03PMMP-SF8003 12-03PMMP-SF8004	12-04PMMP-SF8003 12-04PMMP-SF8004	12-05PMMP-SF8003 12-05PMMP-SF8004	12-08PMMP-SF8003 12-08PMMP-SF8004
PCB Pin (90°)	M12	12-03PMMR-SF7001	12-04PMMR-SF7001	12-05PMMR-SF7001	12-08PMMR-SF7001
	M12 (Shielded)	12S-03PMMR-SF7001	12S-04PMMR-SF7001	12S-05PMMR-SF7001	12S-08PMMR-SF7001
	PG9	12-03PMMR-SF8001	12-04PMMR-SF8001	12-05PMMR-SF8001	-
	M16.0	12-03PMMR-SF8003	12-04PMMR-SF8003	12-05PMMR-SF8003	-
Solder Pin (180°)	PG9	12-03PMMS-SF8001	12-04PMMS-SF8001	12-05PMMS-SF8001	12-08PMMS-SF8001
	M16.0	12-03PMMS-SF8003 12-03PMMS-SF8004	12-04PMMS-SF8003 12-04PMMS-SF8004	12-05PMMS-SF8003 12-05PMMS-SF8004	12-08PMMS-SF8003 12-08PMMS-SF8004
Wire Leads (150mm)	PG9	12-03PMMS-SF8B15	12-04PMMS-SF8B15	12-05PMMS-SF8B15	12-08PMMS-SF8B15
	M16.0	12-03PMMS-SF8C15	12-04PMMS-SF8C15	12-05PMMS-SF8C15	12-08PMMS-SF8C15
Wire Leads (300mm)	PG9	12-03PMMS-SF8B30	12-04PMMS-SF8B30	12-05PMMS-SF8B30	12-08PMMS-SF8B30
	M16.0	12-03PMMS-SF8C30	12-04PMMS-SF8C30	12-05PMMS-SF8C30	12-08PMMS-SF8C30
Wire Leads (500mm)	PG9	12-03PMMS-SF8B50	12-04PMMS-SF8B50	12-05PMMS-SF8B50	12-08PMMS-SF8B50
	M16.0	12-03PMMS-SF8C50	12-04PMMS-SF8C50	12-05PMMS-SF8C50	12-08PMMS-SF8C50

∟ **M12 A (Metal) > Receptacle > Male Connector > Rear Fastened**

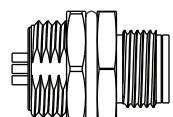
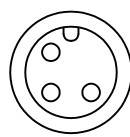
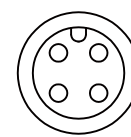
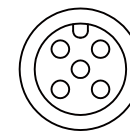
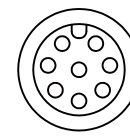
					
Type	Mounting Thread	3 Contacts	4 Contacts	5 Contacts	8 Contacts
Solder Pin (180°)	PG9	12-03PMMS-SH8001	12-04PMMS-SH8001	12-05PMMS-SH8001	12-08PMMS-SH8001
	M16.0	12-03PMMS-SH8003 12-03PMMS-SH8004	12-04PMMS-SH8003 12-04PMMS-SH8004	12-05PMMS-SH8003 12-05PMMS-SH8004	12-08PMMS-SH8003 12-08PMMS-SH8004
Wire Leads (150mm)	PG9	12-03PMMS-SH8B15	12-04PMMS-SH8B15	12-05PMMS-SH8B15	12-08PMMS-SH8B15
	M16.0	12-03PMMS-SH8C15	12-04PMMS-SH8C15	12-05PMMS-SH8C15	12-08PMMS-SH8C15
Wire Leads (300mm)	PG9	12-03PMMS-SH8B30	12-04PMMS-SH8B30	12-05PMMS-SH8B30	12-08PMMS-SH8B30
	M16.0	12-03PMMS-SH8C30	12-04PMMS-SH8C30	12-05PMMS-SH8C30	12-08PMMS-SH8C30
Wire Leads (500mm)	PG9	12-03PMMS-SH8B50	12-04PMMS-SH8B50	12-05PMMS-SH8B50	12-08PMMS-SH8B50
	M16.0	12-03PMMS-SH8C50	12-04PMMS-SH8C50	12-05PMMS-SH8C50	12-08PMMS-SH8C50

* Design and specification are subject to change without notice.

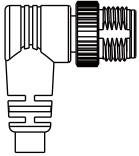
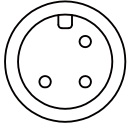
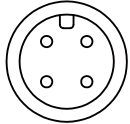
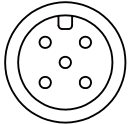
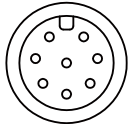
∟ M12 A (Metal) > Receptacle > Female Connector > Front Fastened

 <p>Backshell: Hexagonal</p>					
Type	Mounting Thread	3 Contacts	4 Contacts	5 Contacts	8 Contacts
PCB Pin (180°)	PG9	12-03PFFP-SF8001	12-04PFFP-SF8001	12-05PFFP-SF8001	12-08PFFP-SF8001
	M16.0	12-03PFFP-SF8003 12-03PFFP-SF8004 12-03PFFP-SF8005	12-04PFFP-SF8003 12-04PFFP-SF8004 12-04PFFP-SF8005	12-05PFFP-SF8003 12-05PFFP-SF8004 12-05PFFP-SF8005	12-08PFFP-SF8003 12-08PFFP-SF8004 12-08PFFP-SF8005
PCB Pin (90°)	M12	12-03PFFR-SF7001	12-04PFFR-SF7001	12-05PFFR-SF7001	12-08PFFR-SF7001
	M12 (Shielded)	12S-03PFFR-SF7001	12S-04PFFR-SF7001	12S-05PFFR-SF7001	12S-08PFFR-SF7001
	PG9	12-03PFFR-SF8001	12-04PFFR-SF8001	12-05PFFR-SF8001	-
	M16.0	12-03PFFR-SF8003	12-04PFFR-SF8003	12-05PFFR-SF8003	-
Solder Pin (180°)	PG9	12-03PFFS-SF8001	12-04PFFS-SF8001	12-05PFFS-SF8001	12-08PFFS-SF8001
	M16.0	12-03PFFS-SF8003 12-03PFFS-SF8004	12-04PFFS-SF8003 12-04PFFS-SF8004	12-05PFFS-SF8003 12-05PFFS-SF8004	12-08PFFS-SF8003 12-08PFFS-SF8004
Wire Leads (150mm)	PG9	12-03PFFS-SF8B15	12-04PFFS-SF8B15	12-05PFFS-SF8B15	12-08PFFS-SF8B15
	M16.0	12-03PFFS-SF8C15	12-04PFFS-SF8C15	12-05PFFS-SF8C15	12-08PFFS-SF8C15
Wire Leads (300mm)	PG9	12-03PFFS-SF8B30	12-04PFFS-SF8B30	12-05PFFS-SF8B30	12-08PFFS-SF8B30
	M16.0	12-03PFFS-SF8C30	12-04PFFS-SF8C30	12-05PFFS-SF8C30	12-08PFFS-SF8C30
Wire Leads (500mm)	PG9	12-03PFFS-SF8B50	12-04PFFS-SF8B50	12-05PFFS-SF8B50	12-08PFFS-SF8B50
	M16.0	12-03PFFS-SF8C50	12-04PFFS-SF8C50	12-05PFFS-SF8C50	12-08PFFS-SF8C50

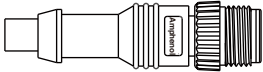
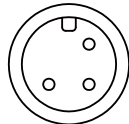
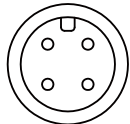
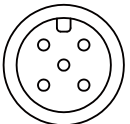
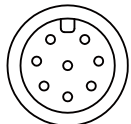
∟ M12 A (Metal) > Receptacle > Female Connector > Rear Fastened

					
Type	Mounting Thread	3 Contacts	4 Contacts	5 Contacts	8 Contacts
Solder Pin (180°)	PG9	12-03PFFS-SH8001	12-04PFFS-SH8001	12-05PFFS-SH8001	12-08PFFS-SH8001
	M16.0	12-03PFFS-SH8003 12-03PFFS-SH8004	12-04PFFS-SH8003 12-04PFFS-SH8004	12-05PFFS-SH8003 12-05PFFS-SH8004	12-08PFFS-SH8003 12-08PFFS-SH8004
Wire Leads (150mm)	PG9	12-03PFFS-SH8B15	12-04PFFS-SH8B15	12-05PFFS-SH8B15	12-08PFFS-SH8B15
Wire Leads (150mm)	M16	12-03PFFS-SC8B15	12-04PFFS-SH8C15	12-05PFFS-SH8C15	12-08PFFS-SH8C15
Wire Leads (300mm)	PG9	12-03PFFS-SH8B30	12-04PFFS-SH8B30	12-05PFFS-SH8B30	12-08PFFS-SH8B30
Wire Leads (300mm)	M16	12-03PFFS-SC8B30	12-04PFFS-SC8B30	12-05PFFS-SC8B30	12-08PFFS-SC8B30
Wire Leads (500mm)	PG9	12-03PFFS-SH8B50	12-04PFFS-SH8B50	12-05PFFS-SH8B50	12-08PFFS-SH8B50
Wire Leads (500mm)	M16	12-03PFFS-SC8B50	12-04PFFS-SC8B50	12-05PFFS-SC8B50	12-08PFFS-SC8B50

∨ **M12 A (Metal) > Overmolded with cable > Male Connector > Right Angle**

				
Type	3 Contacts	4 Contacts	5 Contacts	8 Contacts
With Strain Relief	12-03AMMM-SR7	12-04AMMM-SR7	12-05AMMM-SR7	12-08AMMM-SR7
Without Strain Relief	12-03BMMM-SR7 12-03BMMM-SR8	12-04BMMM-SR7 12-04BMMM-SR8	12-05BMMM-SR7 12-05BMMM-SR8	12-08BMMM-SR7 12-08BMMM-SR8

∨ **M12 A (Metal) > Overmolded with cable > Male Connector > Straight**

				
Type	3 Contacts	4 Contacts	5 Contacts	8 Contacts
With Strain Relief	12-03AMMM-SL7	12-04AMMM-SL7	12-05AMMM-SL7	12-08AMMM-SL7
Without Strain Relief	12-03BMMM-SL7 12-03BMMM-SL8	12-04BMMM-SL7 12-04BMMM-SL8	12-05BMMM-SL7 12-05BMMM-SL8	12-08BMMM-SL7 12-08BMMM-SL8
	12S-03BMMM-SL7 (Shielded)	12S-04BMMM-SL7 (Shielded)	12S-05BMMM-SL7 (Shielded)	12S-08BMMM-SL7 (Shielded)

Cable Type	1M	2M	5M	10M
PVC	A01	A02	A05	A10
PU	B01	B02	B05	B10

* Design and specification are subject to change without notice.

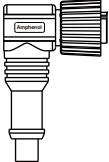
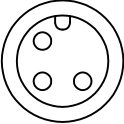
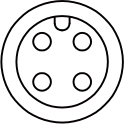
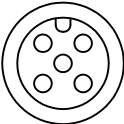
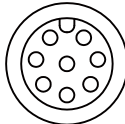
M12 A Code (Metal)

Overmolded with cable > Female Connector

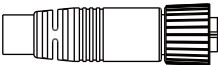
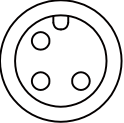
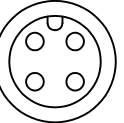
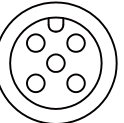
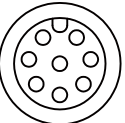
IP 67 . 68 9

Receptacle | Unmated
Overmolded with Cable | Mated
Field Installable | Mated

↘ **M12 A (Metal) > Overmolded with cable > Female Connector > Right Angle**

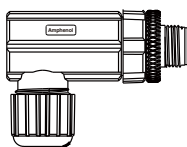
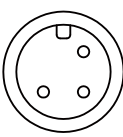
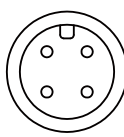
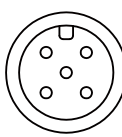
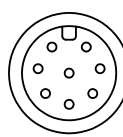
				
Type	3 Contacts	4 Contacts	5 Contacts	8 Contacts
With Strain Relief	12-03AFFM-SR7	12-04AFFM-SR7	12-05AFFM-SR7	12-08AFFM-SR7
Without Strain Relief	12L-03BFFM-SR7 (With LED)	12-04BFFM-SR8	12-05BFFM-SR8	12-08BFFM-SR8
	12-03BFFM-SR8			

↘ **M12 A (Metal) > Overmolded with cable > Female Connector > Straight**

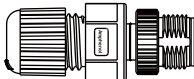
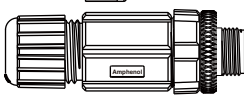
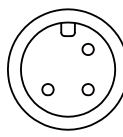
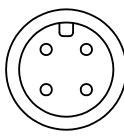
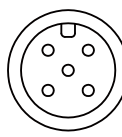
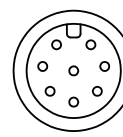
				
Type	3 Contacts	4 Contacts	5 Contacts	8 Contacts
With Strain Relief	12-03AFFM-SL7	12-04AFFM-SL7	12-05AFFM-SL7	12-08AFFM-SL7
Without Strain Relief	12S-03BFFM-SL7 (Shielded)	12S-04BFFM-SL7 (Shielded)	12S-05BFFM-SL7 (Shielded)	12S-08BFFM-SL7 (Shielded)
	12-03BFFM-SL8	12-04BFFM-SL8	12-05BFFM-SL8	12-08BFFM-SL8

Cable Type	1M	2M	5M	10M
PVC	A01	A02	A05	A10
PU	B01	B02	B05	B10

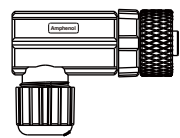
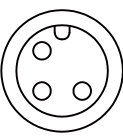
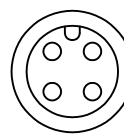
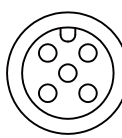
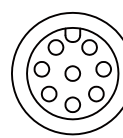
➤ M12 A (Metal) > Field Installable > Male Connector > Right Angle

					
Type	Contact Type	3 Contacts	4 Contacts	5 Contacts	8 Contacts
Without Strain Relief	Screw Type	12-03BMMB-SR700 1	12-04BMMB-SR700 1	12-05BMMB-SR700 1	-

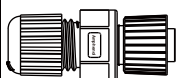
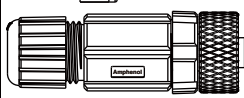
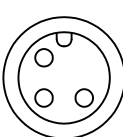
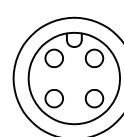

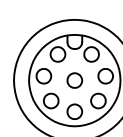
➤ M12 A (Metal) > Field Installable > Male Connector > Straight

 Solder Type  Screw Type					
Type	Contact Type	3 Contacts	4 Contacts	5 Contacts	8 Contacts
Without Strain Relief	Solder Type	12-03BMMA-SL800 1	12-04BMMA-SL800 1	12-05BMMA-SL800 1	12-08BMMA-SL800 1
	Screw Type	12-03BMMB-SL700 1	12-04BMMB-SL700 1	12-05BMMB-SL700 1	-

➤ M12 A (Metal) > Field Installable > Female Connector > Right Angle

					
Type	Contact Type	3 Contacts	4 Contacts	5 Contacts	8 Contacts
Without Strain Relief	Screw Type	12-03BFFB-SR700 1	12-04BFFB-SR700 1	12-05BFFB-SR700 1	-

➤ M12 A (Metal) > Field Installable > Female Connector > Straight

 Solder Type  Screw Type					
Type	Contact Type	3 Contacts	4 Contacts	5 Contacts	8 Contacts
Without Strain Relief	Solder Type	12-03BFFA-SL800 1	12-04BFFA-SL800 1	12-05BFFA-SL800 1	12-08BFFA-SL800 1
	Screw Type	12-03BFFB-SL700 1	12-04BFFB-SL700 1	12-05BFFB-SL700 1	-

* Design and specification are subject to change without notice.

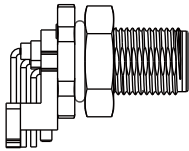
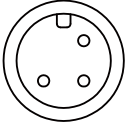
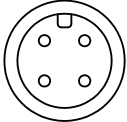
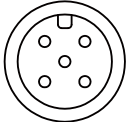
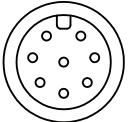
M12 A Code (Plastic)

Receptacle > Male / Female Connector

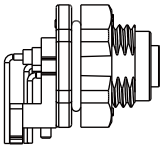
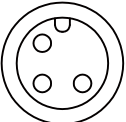
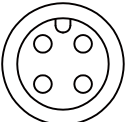
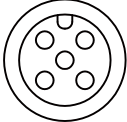
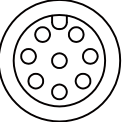
IP 67 . 68 9

Receptacle | Unmated
Overmolded with Cable | Mated
Field Installable | Mated

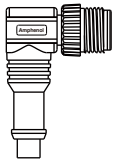
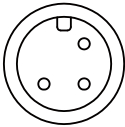
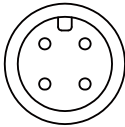
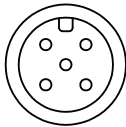
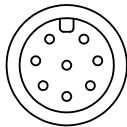
∩ M12 A (Plastic) > Receptacle > Male Connector > Front Fastened

 <p>Backshell: Hexagonal</p>					
Type	Mounting Thread	3 Contacts	4 Contacts	5 Contacts	8 Contacts
PCB Pin (90°)	M12	12P-03PMMR-SF8001	12P-04PMMR-SF8001	12P-05PMMR-SF8001	-
PCB Pin (180°)	M12	12P-03PMMR-SC8001	12P-04PMMR-SC8001	12P-05PMMR-SC8001	-

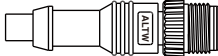
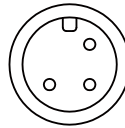
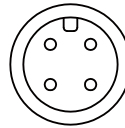
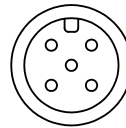
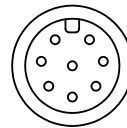
∩ M12 A (Plastic) > Receptacle > Female Connector > Front Fastened

 <p>Backshell: Hexagonal</p>					
Type	Mounting Thread	3 Contacts	4 Contacts	5 Contacts	8 Contacts
PCB Pin (180°)	M16.0	12P-03PFFP-SF8001	12P-04PFFP-SF8001	12P-05PFFP-SF8001	12P-08PFFP-SF8001
PCB Pin (90°)	M16.0	12P-03PFFR-SF8001	12P-04PFFR-SF8001	12P-05PFFR-SF8001	-
Solder Pin (180°)	M16.0	12P-03PFFS-SF8001	12P-04PFFS-SF8001	12P-05PFFS-SF8001	12P-08PFFS-SF8001

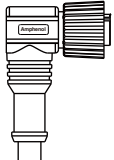
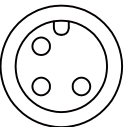
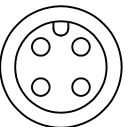
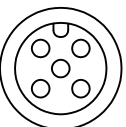
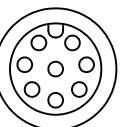
∟ **M12 A (Plastic) > Overmolded with cable > Male Connector > Right Angle**

				
Type	3 Contacts	4 Contacts	5 Contacts	8 Contacts
Without Strain Relief	12P-03BMMM-SR8	12P-04BMMM-SR8	12P-05BMMM-SR8	12P-08BMMM-SR8

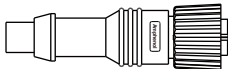
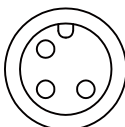
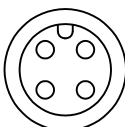
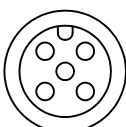
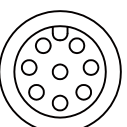
∟ **M12 A (Plastic) > Overmolded with cable > Male Connector > Straight**

				
Type	3 Contacts	4 Contacts	5 Contacts	8 Contacts
Without Strain Relief	12P-03BMMM-SL8	12P-04BMMM-SL8	12P-05BMMM-SL8	12P-08BMMM-SL8

∟ **M12 A (Plastic) > Overmolded with cable > Female Connector > Right Angle**

				
Type	3 Contacts	4 Contacts	5 Contacts	8 Contacts
Without Strain Relief	12P-03BFFM-SR8	12P-04BFFM-SR8	12P-05BFFM-SR8	12P-08BFFM-SR8

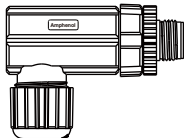
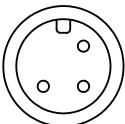
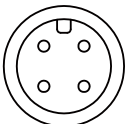
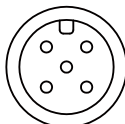
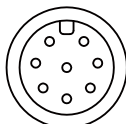
∟ **M12 A (Plastic) > Overmolded with cable > Female Connector > Straight**

				
Type	3 Contacts	4 Contacts	5 Contacts	8 Contacts
Without Strain Relief	12P-03BFFM-SL8	12P-04BFFM-SL8	12P-05BFFM-SL8	12P-08BFFM-SL8

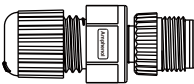
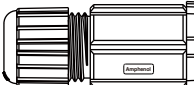
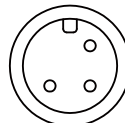
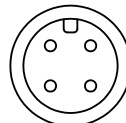
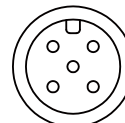
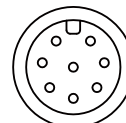
Cable Type	1M	2M	5M	10M
PVC	A01	A02	A05	A10
PU	B01	B02	B05	B10

* Design and specification are subject to change without notice.

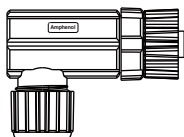
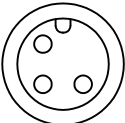
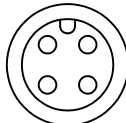
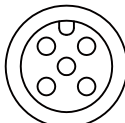

∟ M12 A (Plastic) > Field Installable > Male Connector > Right Angle

					
Type	Contact Type	3 Contacts	4 Contacts	5 Contacts	8 Contacts
Without Strain Relief	Solder Type	-	-	-	-
	Screw Type	12P-03BMMB-SR7001	12P-04BMMB-SR7001	12P-05BMMB-SR7001	-

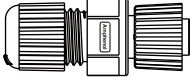
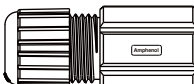
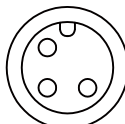
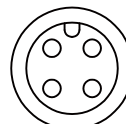
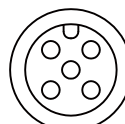
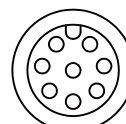
∟ M12 A (Plastic) > Field Installable > Male Connector > Straight

 Solder Type  Screw Type					
Type	Contact Type	3 Contacts	4 Contacts	5 Contacts	8 Contacts
Without Strain Relief	Solder Type	12P-03BMMA-SL7001 12P-03BMMA-SL8001	12P-04BMMA-SL7001 12P-04BMMA-SL8001	12P-05BMMA-SL7001 12P-05BMMA-SL8001	12P-08BMMA-SL8001
	Screw Type	12P-03BMMB-SL7001	12P-04BMMB-SL7001	12P-05BMMB-SL7001	

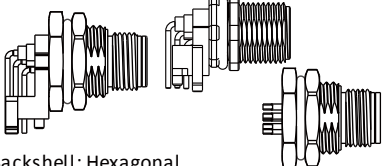
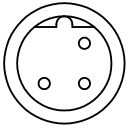
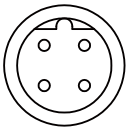
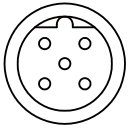
∟ M12 A (Plastic) > Field Installable > Female Connector > Right Angle

					
Type	Contact Type	3 Contacts	4 Contacts	5 Contacts	8 Contacts
Without Strain Relief	Solder Type	-	-	-	-
	Screw Type	12P-03BFFB-SR7001	12P-04BFFB-SR7001	12P-05BFFB-SR7001	-

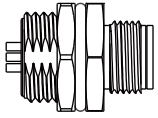
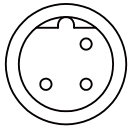
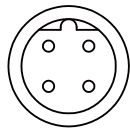
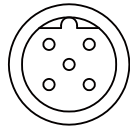
∟ M12 A (Plastic) > Field Installable > Female Connector > Straight

 Solder Type  Screw Type					
Type	Contact Type	3 Contacts	4 Contacts	5 Contacts	8 Contacts
Without Strain Relief	Solder Type	12P-03BFFA-SL8001	12P-04BFFA-SL8001	12P-05BFFA-SL8001	12P-08BFFA-SL8001
	Screw Type	12P-03BFFB-SL7001	12P-04BFFB-SL7001	12P-05BFFB-SL7001	

▾ **M12 B (Metal) > Receptacle > Male Connector > Front Fastened**

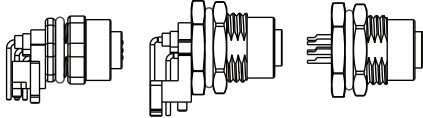
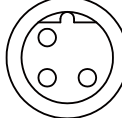


				
Backshell: Hexagonal		3 Contacts	4 Contacts	5 Contacts
Type	Mounting Thread	3 Contacts	4 Contacts	5 Contacts
PCB Pin (180°)	PG9	12B-03PMMP-SF8001	12B-04PMMP-SF8001	12B-05PMMP-SF8001
	M16	12B-03PMMP-SF8003	12B-04PMMP-SF8003 12B-04PMMP-SF8004	12B-05PMMP-SF8003 12B-05PMMP-SF8004
PCB Pin (90°)	M12	-	-	SBS-05PMMR-SF7001
	PG9	12B-03PMMR-SF8001	12B-04PMMR-SF8001	12B-05PMMR-SF8001 12B-05PMMR-SF7001
	M16	12B-03PMMR-SF8003	12B-04PMMR-SF8003	12B-05PMMR-SF8003
Solder Pin (180°)	PG9	12B-03PMMS-SF8001	12B-04PMMS-SF8001	12B-05PMMS-SF8001
	M16	12B-03PMMS-SF8003	12B-04PMMS-SF8003 12B-04PMMS-SF8004	12B-05PMMS-SF8003 12B-05PMMS-SF8004
Wire Leads (150mm)	PG9	-	-	12B-05PMMS-SF8B15
	M16	-	-	12B-05PMMS-SF8C15
Wire Leads (300mm)	PG9	-	-	12B-05PMMS-SF8B30
	M16	-	-	12B-05PMMS-SF8C30
Wire Leads (500mm)	PG9	-	-	12B-05PMMS-SF8B50
	M16	-	-	12B-05PMMS-SF8C50

▾ **M12 B (Metal) > Receptacle > Male Connector > Rear Fastened**

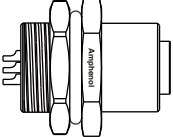
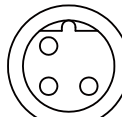
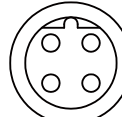

				
Type	Mounting Thread	3 Contacts	4 Contacts	5 Contacts
PCB Pin (180°)	PG9	12B-03PMMS-SH8001	12B-04PMMS-SH8001	12B-05PMMS-SH8001
	M16	12B-03PMMS-SH8003	12B-04PMMS-SH8003 12B-04PMMS-SH8004	12B-05PMMS-SH8003 12B-05PMMS-SH8004
Wire Leads (150mm)	PG9	-	-	12B-05PMMS-SH8B15
	M16	-	-	12B-05PMMS-SH8C15
Wire Leads (300mm)	PG9	-	-	12B-05PMMS-SH8B30
	M16	-	-	12B-05PMMS-SH8C30
Wire Leads (500mm)	PG9	-	-	12B-05PMMS-SH8B50
	M16	-	-	12B-05PMMS-SH8C50

* Design and specification are subject to change without notice.


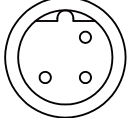
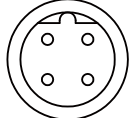
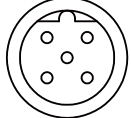
∟ M12 B (Metal) Receptacle > Female Connector > Front Fastened

				
Backshell: Hexagonal				
Type	Mounting Thread	3 Contacts	4 Contacts	5 Contacts
PCB Pin (180°)	PG9	12B-03PFFP-SF8001	12B-04PFFP-SF8001	12B-05PFFP-SF8001
	M16	12B-03PFFP-SF8003	12B-04PFFP-SF8003 12B-04PFFP-SF8004 12B-04PFFP-SF8005	12B-05PFFP-SF8003 12B-05PFFP-SF8004 12B-05PFFP-SF8005
PCB Pin (90°)	M12	-	-	SBS-05PFFR-SF7001
	PG9	12B-03PFFR-SF8001	12B-04PFFR-SF8001	12B-05PFFR-SF8001 12B-05PFFR-SF7001
	M16	12B-03PFFR-SF8003	12B-04PFFR-SF8003	12B-05PFFR-SF8003
Solder Pin (180°)	PG9	12B-03PFFS-SF8001	12B-04PFFS-SF8001	12B-05PFFS-SF8001
	M16	12B-03PFFS-SF8003	12B-04PFFS-SF8003 12B-04PFFS-SF8004	12B-05PFFS-SF8003 12B-05PFFS-SF8004
Wire Leads (150mm)	PG9	-	-	12B-05PFFS-SF8B15
	M16	-	-	12B-05PFFS-SF8C15
Wire Leads (300mm)	PG9	-	-	12B-05PFFS-SF8B30
	M16	-	-	12B-05PFFS-SF8C30
Wire Leads (500mm)	PG9	-	-	12B-05PFFS-SF8B50
	M16	-	-	12B-05PFFS-SF8C50

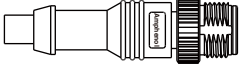
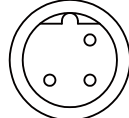
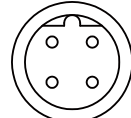
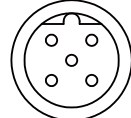
∟ M12 B (Metal) > Receptacle > Female Connector > Rear Fastened

				
Type	Mounting Thread	3 Contacts	4 Contacts	5 Contacts
PCB Pin (180°)	PG9	12B-03PFFS-SH8001	12B-04PFFS-SH8001	12B-05PFFS-SH8001
	M16	12B-03PFFS-SH8003	12B-04PFFS-SH8003 12B-04PFFS-SH8004	12B-05PFFS-SH8003 12B-05PFFS-SH8004
Wire Leads (150mm)	PG9	-	-	12B-05PFFS-SH8B15
Wire Leads (300mm)	PG9	-	-	12B-05PFFS-SH8B30
Wire Leads (500mm)	PG9	-	-	12B-05PFFS-SH8B50

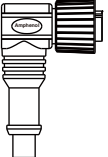
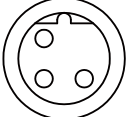


∟ M12 B (Metal) > Overmolded with cable > Male Connector > Right Angle

			
Type	3 Contacts	4 Contacts	5 Contacts
Without Strain Relief	12B-03BMMM-SR8	12B-04BMMM-SR8	12B-05BMMM-SR8

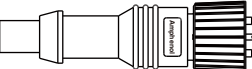
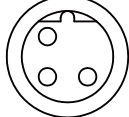


∟ M12 B (Metal) > Overmolded with cable > Male Connector > Straight

			
Type	3 Contacts	4 Contacts	5 Contacts
Without Strain Relief	12B-03BMMM-SL8	12B-04BMMM-SL8	12B-05BMMM-SL8

∟ M12 B (Metal) > Overmolded with cable > Female Connector > Right Angle

			
Type	3 Contacts	4 Contacts	5 Contacts
Without Strain Relief	12B-03BFFM-SR8	12B-04BFFM-SR8	12B-05BFFM-SR8

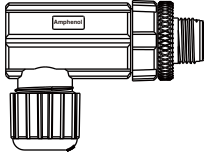
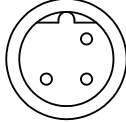
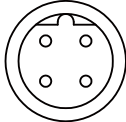
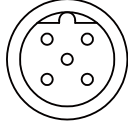
∟ MM12 B (Metal) > Overmolded with cable > Female Connector > Straight

			
Type	3 Contacts	4 Contacts	5 Contacts
Without Strain Relief	12B-03BFFM-SL8	12B-04BFFM-SL8	12B-05BFFM-SL8

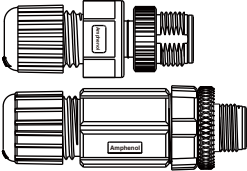
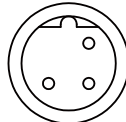
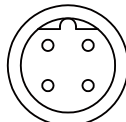
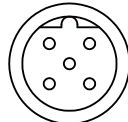
Cable Type	1M	2M	5M	10M
PVC	A01	A02	A05	A10
PU	B01	B02	B05	B10

* Design and specification are subject to change without notice.

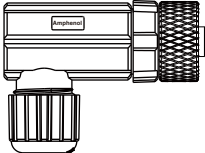
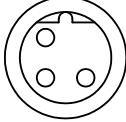
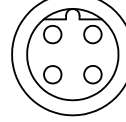

∟ M12 B (Metal) > Field Installable > Male Connector > Right Angle

				
Type	Contact Type	3 Contacts	4 Contacts	5 Contacts
Without Strain Relief	Screw Type	12B-03BMMB-SR7001	12B-04BMMB-SR7001	12B-05BMMB-SR7001

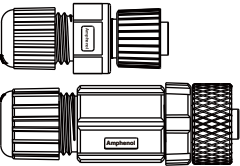
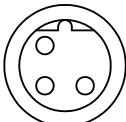
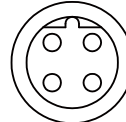

∟ M12 B (Metal) > Field Installable > Male Connector > Straight

				
	Solder Type			
	Screw Type			
Type	Contact Type	3 Contacts	4 Contacts	5 Contacts
Without Strain Relief	Solder Type	12B-03BMMA-SL8001	12B-04BMMA-SL8001	12B-05BMMA-SL8001
	Screw Type	12B-03BMMB-SL7001	12B-04BMMB-SL7001	12B-05BMMB-SL7001

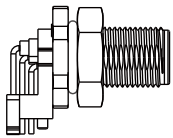
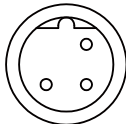
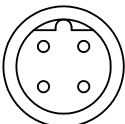
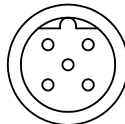
∟ M12 B (Metal) > Field Installable > Female Connector > Right Angle

				
Type	Contact Type	3 Contacts	4 Contacts	5 Contacts
Without Strain Relief	Screw Type	12B-03BFFB-SR7001	12B-04BFFB-SR7001	12B-05BFFB-SR7001

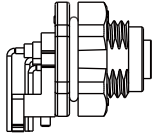
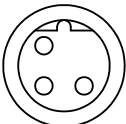
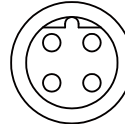
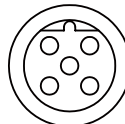
∟ M12 B (Metal) > Field Installable > Female Connector > Straight

				
	Solder Type			
	Screw Type			
Type	Contact Type	3 Contacts	4 Contacts	5 Contacts
Without Strain Relief	Solder Type	12B-03BFFA-SL8001	12B-04BFFA-SL8001	12B-05BFFA-SL8001
	Screw Type	12B-03BFFB-SL7001	12B-04BFFB-SL7001	12B-05BFFB-SL7001

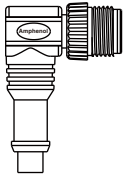
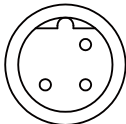
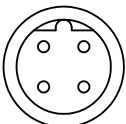
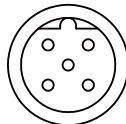
∟ **M12 B (Plastic) > Receptacle > Male Connector > Front Fastened**

				
Backshell: Hexagonal				
Type	Mounting Thread	3 Contacts	4 Contacts	5 Contacts
PCB Pin (90°)	M12	-	-	SBP-05PMMR-SF8001

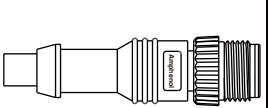
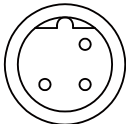
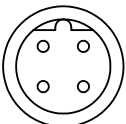
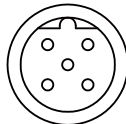
∟ **M12 B (Plastic) > Receptacle > Female Connector > Front Fastened**

				
Backshell: Hexagonal				
Type	Mounting Thread	3 Contacts	4 Contacts	5 Contacts
PCB Pin (90°)	M12	-	-	SBP-05PFFR-SF8001

∟ **M12 B (Plastic) > Overmolded with cable > Male Connector > Right Angle**

			
Type	3 Contacts	4 Contacts	5 Contacts
Without Strain Relief	SBP-03BMMM-SR8	SBP-04BMMM-SR8	SBP-05BMMM-SR8

∟ **M12 B (Plastic) > Overmolded with cable > Male Connector > Straight**

			
Type	3 Contacts	4 Contacts	5 Contacts
Without Strain Relief	SBP-03BMMM-SL8	SBP-04BMMM-SL8	SBP-05BMMM-SL8

Cable Type	1M	2M	5M	10M
PVC	A01	A02	A05	A10
PU	B01	B02	B05	B10

* Design and specification are subject to change without notice.

M12 B Code (Plastic)

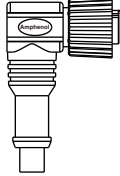
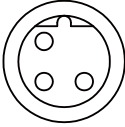
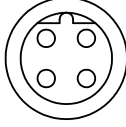
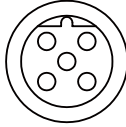
Overmolded with cable > Female Connector

Field Installable > Male Connector

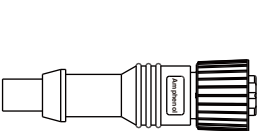
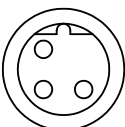
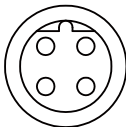
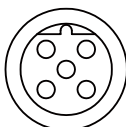
IP 67 . 68 9

Receptacle | Unmated
Overmolded with Cable | Mated
Field Installable | Mated

➤ **M12 B (Plastic) > Overmolded with cable > Female Connector > Right Angle**

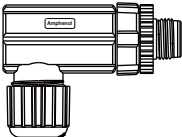
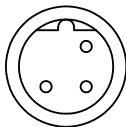
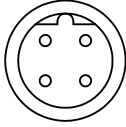
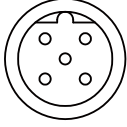
			
Type	3 Contacts	4 Contacts	5 Contacts
Without Strain Relief	SBP-03BFFM-SR8	SBP-04BFFM-SR8	SBP-05BFFM-SR8

➤ **M12 B (Plastic) > Overmolded with cable > Female Connector > Straight**

			
Type	3 Contacts	4 Contacts	5 Contacts
Without Strain Relief	SBP-03BFFM-SL8	SBP-04BFFM-SL8	SBP-05BFFM-SL8

Cable Type	1M	3M	5M	10M
PVC	A01	A02	A05	A10
PU	B01	B02	B05	B10

➤ **M12 B (Plastic) > Field Installable > Male Connector > Right Angle**

				
Type	Contact Type	3 Contacts	4 Contacts	5 Contacts
Without Strain Relief	Screw Type	SBP-03BMMB-SR7001	SBP-04BMMB-SR7001	SBP-05BMMB-SR7001

∟ **M12 B (Plastic) > Field Installable > Male Connector > Straight**

		Solder Type			
		Screw Type			
Type	Contact Type	3 Contacts	4 Contacts	5 Contacts	
Without Strain Relief	Solder Type	SBP-03BMMA-SL8001	SBP-04BMMA-SL8001	SBP-05BMMA-SL8001	
	Screw Type	SBP-03BMMB-SL7001	SBP-04BMMB-SL7001	SBP-05BMMB-SL7001	

∟ **M12 B (Plastic) > Field Installable > Female Connector > Right Angle**

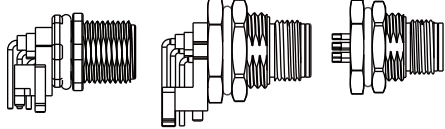
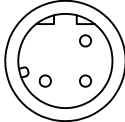
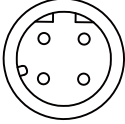
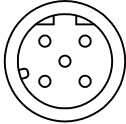
		Solder Type			
		Screw Type			
Type	Contact Type	3 Contacts	4 Contacts	5 Contacts	
Without Strain Relief	Screw Type	SBP-03BFFB-SR7001	SBP-04BFFB-SR7001	SBP-05BFFB-SR7001	

∟ **M12 B (Plastic) > Field Installable > Female Connector > Straight**

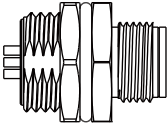
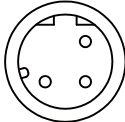
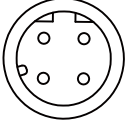
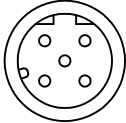
		Solder Type			
		Screw Type			
Type	Contact Type	3 Contacts	4 Contacts	5 Contacts	
Without Strain Relief	Solder Type	SBP-03BFFA-SL8001	SBP-04BFFA-SL8001	SBP-05BFFA-SL8001	
	Screw Type	SBP-03BFFB-SL7001	SBP-04BFFB-SL7001	SBP-05BFFB-SL7001	

* Design and specification are subject to change without notice.

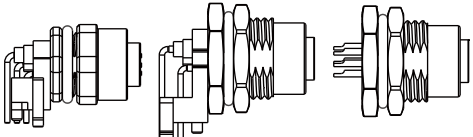
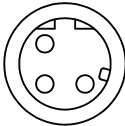
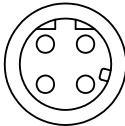

∟ M12 D (Metal) > Receptacle > Male Connector > Front Fastened

				
Backshell: Hexagonal				
Type	Mounting Thread	3 Contacts	4 Contacts	5 Contacts
PCB Pin (180°)	PG9	-	12D-04PMMP-SF8001	12D-05PMMP-SF8001
	M16.0	-	12D-04PMMP-SF8003 12D-04PMMP-SF8004	12D-05PMMP-SF8003 12D-05PMMP-SF8004
PCB Pin (90°)	PG9	-	12D-04PMMR-SF7001 12D-04PMMR-SF8001	-
	M12	-	12D-04PMMR-SF7007	-
	M12 (Shielded)	-	SDS-04PMMR-SF7007	-
Solder Pin (180°)	PG9	12D-03PMMS-SF8001	12D-04PMMS-SF8001	12D-05PMMS-SF8001
	M16.0	-	12D-04PMMS-SF8003 12D-04PMMS-SF8004	12D-05PMMS-SF8003 12D-05PMMS-SF8004
Wire Leads (150mm)	PG9	-	12D-04PMMS-SF8B15	-
	M16.0	-	12D-04PMMS-SF8C15	-
Wire Leads (300mm)	PG9	-	12D-04PMMS-SF8B30	-
	M16.0	-	12D-04PMMS-SF8C30	-
Wire Leads (500mm)	PG9	-	12D-04PMMS-SF8B50	-
	M16.0	-	12D-04PMMS-SF8C50	-

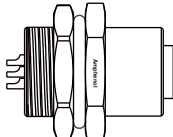
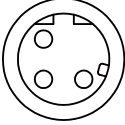
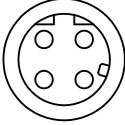
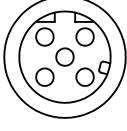
∟ M12 D (Metal) > Receptacle > Male Connector > Rear Fastened

				
Type	Mounting Thread	3 Contacts	4 Contacts	5 Contacts
Solder Pin (180°)	PG9	12D-03PMMS-SH8001	12D-04PMMS-SH8001	12D-05PMMS-SH8001
	M16.0	-	12D-04PMMS-SH8003 12D-04PMMS-SH8004	12D-05PMMS-SH8003 12D-04PMMS-SH8004
Wire Leads (150mm)	PG9	-	12D-04PMMS-SH8B15	-
	M16.0	-	12D-04PMMS-SH8C15	-
Wire Leads (300mm)	PG9	-	12D-04PMMS-SH8B30	-
	M16.0	-	12D-04PMMS-SH8C30	-
Wire Leads (500mm)	PG9	-	12D-04PMMS-SH8B50	-
	M16.0	-	12D-04PMMS-SH8C50	-

∟ **M12 D (Metal) > Receptacle > Female Connector > Front Fastened**

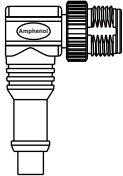
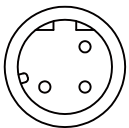
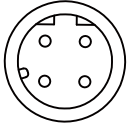
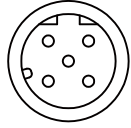
				
Backshell: Hexagonal				
Type	Mounting Thread	3 Contacts	4 Contacts	5 Contacts
PCB Pin (180°)	PG9	12D-03PFFP-SF8001	12D-04PFFP-SF8001	12D-05PFFP-SF8001
	M16.0	-	12D-04PFFP-SF8003 12D-04PFFP-SF8004 12D-04PFFP-SF8005	12D-05PFFP-SF8003 12D-05PFFP-SF8004 12D-05PFFP-SF8005
PCB Pin (90°)	PG9	12D-03PFFR-SF8001	12D-04PFFR-SF8001	12D-05PFFR-SF8001
	M16.0	12D-03PFFR-SF8003	12D-04PFFR-SF8003	12D-05PFFR-SF8003
	M12	-	12D-04PFFR-SF7001	-
	M12 (Shielded)		SDS-04PFFR-SF7001	
Solder Pin (180°)	PG9	12D-03PFFS-SF8001	12D-04PFFS-SF8001	12D-05PFFS-SF8001
	M16.0	12D-03PFFS-SF8003	12D-04PFFS-SF8003 12D-04PFFS-SF8004	12D-05PFFS-SF8003 12D-05PFFS-SF8004
Wire Leads (150mm)	PG9	-	12D-04PFFS-SF8B15	-
	M16.0	-	12D-04PFFS-SF8C15	-
Wire Leads (300mm)	PG9	-	12D-04PFFS-SF8B30	-
	M16.0	-	12D-04PFFS-SF8C30	-
Wire Leads (500mm)	PG9	-	12D-04PFFS-SF8B50	-
	M16.0	-	12D-04PFFS-SF8C50	-

∟ **M12 D (Metal) > Receptacle > Female Connector > Rear Fastened**


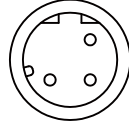
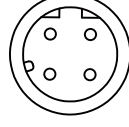
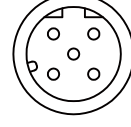
				
Type	Mounting Thread	3 Contacts	4 Contacts	5 Contacts
Solder Pin (180°)	PG9	12D-03PFFS-SH8001	12D-04PFFS-SH8001	12D-05PFFS-SH8001
	M16.0	12D-03PFFS-SH8003	12D-04PFFS-SH8003 12D-04PFFS-SH8004	12D-05PFFS-SH8003 12D-05PFFS-SH8004
Wire Leads (150mm)	PG9	-	12D-04PFFS-SH8B15	-
Wire Leads (300mm)	PG9	-	12D-04PFFS-SH8B30	-
Wire Leads (500mm)	PG9	-	12D-04PFFS-SH8B50	-

* Design and specification are subject to change without notice.

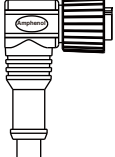
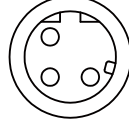
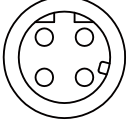
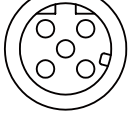
➤ M12 D (Metal) > Overmolded with cable > Male Connector > Right Angle

			
Type	3 Contacts	4 Contacts	5 Contacts
Without Strain Relief	12D-03BMMM-SR8	12D-04BMMM-SR8	12D-05BMMM-SR8

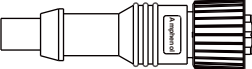
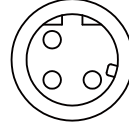
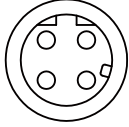
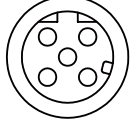
➤ M12 D (Metal) > Overmolded with cable > Male Connector > Straight

			
Type	3 Contacts	4 Contacts	5 Contacts
Without Strain Relief	12D-03BMMM-SL8	12D-04BMMM-SL8	12D-05BMMM-SL8

➤ M12 D (Metal) > Overmolded with cable > Female Connector > Right Angle

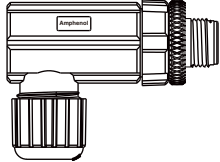
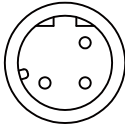
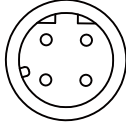
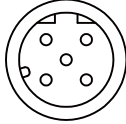
			
Type	3 Contacts	4 Contacts	5 Contacts
Without Strain Relief	12D-03BFFM-SR8	12D-04BFFM-SR8	12D-05BFFM-SR8

➤ M12 D (Metal) > Overmolded with cable > Female Connector > Straight

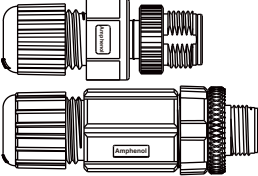
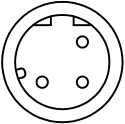
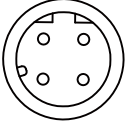
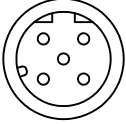
			
Type	3 Contacts	4 Contacts	5 Contacts
Without Strain Relief	12D-03BFFM-SL8	12D-04BFFM-SL8	12D-05BFFM-SL8

Cable Type	1M	2M	5M	10M
PVC	A01	A02	A05	A10
PU	B01	B02	B05	B10

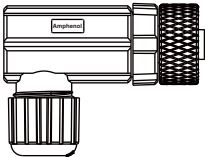
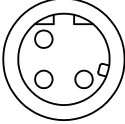
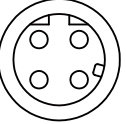
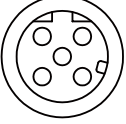
∟ **M12 D (Metal) > Field Installable > Male Connector > Right Angle**

				
Type	Contact Type	3 Contacts	4 Contacts	5 Contacts
Without Strain Relief	Screw Type	12D-03BMMB-SR700 1	12D-04BMMB-SR700 1	12D-05BMMB-SR700 1

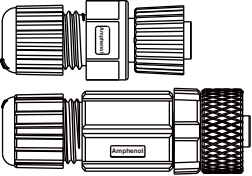
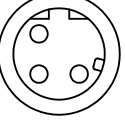
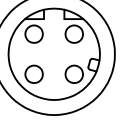
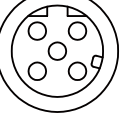
∟ **M12 D (Metal) > Field Installable > Male Connector > Straight**

				
	Solder Type			
	Screw Type			
Type	Contact Type	3 Contacts	4 Contacts	5 Contacts
Without Strain Relief	Solder Type	12D-03BMMA-SL800 1	12D-04BMMA-SL800 1	12D-05BMMA-SL800 1
	Screw Type	12D-03BMMB-SL700 1	12D-04BMMB-SL700 1	12D-05BMMB-SL700 1

∟ **M12 D (Metal) > Field Installable > Female Connector > Right Angle**

				
Type	Contact Type	3 Contacts	4 Contacts	5 Contacts
Without Strain Relief	Screw Type	12D-03BFFB-SR700 1	12D-04BFFB-SR700 1	12D-05BFFB-SR700 1

∟ **M12 D (Metal) > Field Installable > Female Connector > Straight**

				
	Solder Type			
	Screw Type			
Type	Contact Type	3 Contacts	4 Contacts	5 Contacts
Without Strain Relief	Solder Type	12D-03BFFA-SL800 1	12D-04BFFA-SL800 1	12D-05BFFA-SL800 1
	Screw Type	12D-03BFFB-SL700 1	12D-04BFFB-SL700 1	12D-05BFFB-SL700 1

* Design and specification are subject to change without notice.

M12 D Code (Plastic)

Receptacle > Male / Female Connector
 Overmolded with cable > Male Connector

IP 67 . 68 9

Receptacle | Unmated
 Overmolded with Cable | Mated
 Field Installable | Mated

∨ **M12 D (Plastic) > Receptacle > Male Connector > Front Fastened**

Backshell: Hexagonal				
Type	Mounting Thread	3 Contacts	4 Contacts	5 Contacts
PCB Pin (90°)	M12	-	SDP-04PMMR-SF8001	-

∨ **M12 D (Plastic) > Receptacle > Female Connector > Front Fastened**

Backshell: Hexagonal				
Type	Mounting Thread	3 Contacts	4 Contacts	5 Contacts
PCB Pin (90°)	M16	-	SDP-04PFFR-SF8001	-

∨ **M12 D (Plastic) > Overmolded with cable > Male Connector > Right Angle**

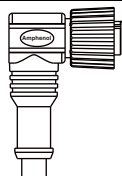
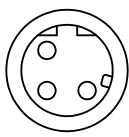
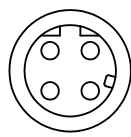
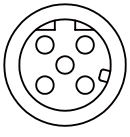
Type	3 Contacts	4 Contacts	5 Contacts
Without Strain Relief	SDP-03BMMM-SR8	SDP-04BMMM-SR8	SDP-05BMMM-SR8

∨ **M12 D (Plastic) > Overmolded with cable > Male Connector > Straight**

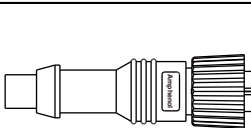
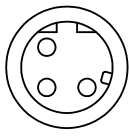
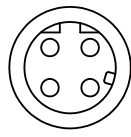
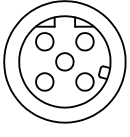
Type	3 Contacts	4 Contacts	5 Contacts
Without Strain Relief	SDP-03BMMM-SL8	SDP-04BMMM-SL8	SDP-05BMMM-SL8

Cable Type	1M	2M	5M	10M
PVC	A01	A02	A05	A10
PU	B01	B02	B05	B10

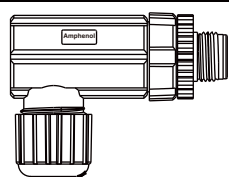
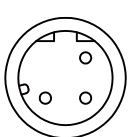
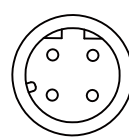
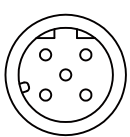
∟ **M12 D (Plastic) > Overmolded with cable > Female Connector > Right Angle**

			
Type	3 Contacts	4 Contacts	5 Contacts
Without Strain Relief	SDP-03BFFM-SR8	SDP-04BFFM-SR8	SDP-05BFFM-SR8

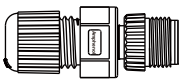
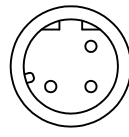
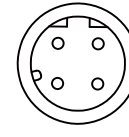
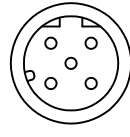
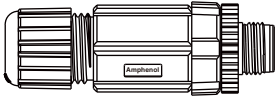
∟ **M12 D (Plastic) > Overmolded with cable > Female Connector > Straight**

			
Type	3 Contacts	4 Contacts	5 Contacts
Without Strain Relief	SDP-03BFFM-SL8	SDP-04BFFM-SL8	SDP-05BFFM-SL8

∟ **M12 D (Plastic) > Field Installable > Male Connector > Right Angle**

				
Type	Contact Type	3 Contacts	4 Contacts	5 Contacts
Without Strain Relief	Screw Type	SDP-03BMMB-SR700 1	SDP-04BMMB-SR700 1	SDP-05BMMB-SR700 1

∟ **M12 D (Plastic) > Field Installable > Male Connector > Straight**

	Solder Type			
	Screw Type			
Type	Contact Type	3 Contacts	4 Contacts	5 Contacts
Without Strain Relief	Solder Type	SDP-03BMMA-SL800 1	SDP-04BMMA-SL800 1	SDP-05BMMA-SL800 1
	Screw Type	SDP-03BMMB-SL700 1	SDP-04BMMB-SL700 1	SDP-05BMMB-SL700 1

* Design and specification are subject to change without notice.

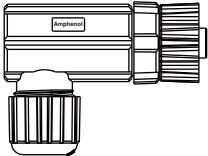
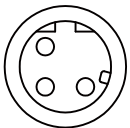
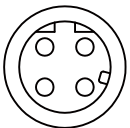

M12 D Code (Plastic)

Field Installable > Female Connector

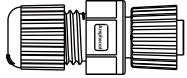
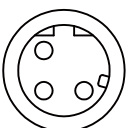
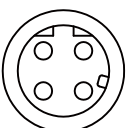
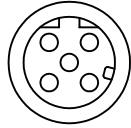
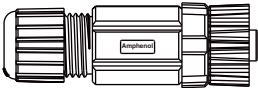
IP 67 . 68 9

Receptacle | Unmated
Overmolded with Cable | Mated
Field Installable | Mated

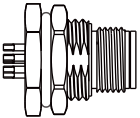

∟ **M12 D (Plastic) > Field Installable > Female Connector > Right Angle**

				
Type	Contact Type	3 Contacts	4 Contacts	5 Contacts
Without Strain Relief	Screw Type	SDP-03BFFB-SR7001	SDP-04BFFB-SR7001	SDP-05BFFB-SR7001

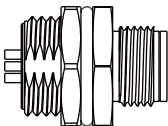

∟ **M12 D (Plastic) > Field Installable > Female Connector > Straight**

				
				
Type	Contact Type	3 Contacts	4 Contacts	5 Contacts
Without Strain Relief	Solder Type	SDP-03BFFA-SL8001	SDP-04BFFA-SL8001	SDP-05BFFA-SL8001
	Screw Type	SDP-03BFFB-SL7001	SDP-04BFFB-SL7001	SDP-05BFFB-SL7001

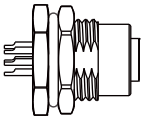

∟ **M12 I (Metal) > Receptacle > Male Connector (Housing) > Front Fastened (Male+Female Contact)**

		
Backshell: Hexagonal		
Type	Mounting Thread	5 Contacts
PCB Pin (180°)	PG9	12-05PMIP-SF8001
	M16.0	12-05PMIP-SF8003 12-05PMIP-SF8004
PCB Pin (90°)	PG9	12-05PMIR-SF8001
	M16.0	12-05PMIR-SF8003
Solder Pin (180°)	PG9	12-05PMIS-SF8001
	M16.0	12-05PMIS-SF8003 12-05PMIS-SF8004

∟ **M12 I (Metal) > Receptacle > Male Connector (Housing) > Rear Fastened (Male+Female Contact)**

		
Type	Mounting Thread	5 Contacts
Solder Pin (180°)	PG9	12-05PMIS-SH8001
	M16.0	12-05PMIS-SH8003 12-05PMIS-SH8004

∟ **M12 I (Metal) > Receptacle > Female Connector (Housing) > Front Fastened (Male+Female Contact)**

		
Backshell: Hexagonal		
Type	Mounting Thread	5 Contacts
PCB Pin (180°)	PG9	12-05PFIP-SF8001
	M16.0	12-05PFIP-SF8003 12-05PFIP-SF8004
PCB Pin (90°)	PG9	12-05PFIR-SF8001
	M16.0	12-05PFIR-SF8003
Solder Pin (180°)	PG9	12-05PFIS-SF8001
	M16.0	12-05PFIS-SF8003 12-05PFIS-SF8004

* Design and specification are subject to change without notice.

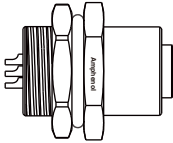
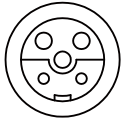
M12 I Style (Metal)

Receptacle > Female / Male Connector (Housing)
 Overmolded with cable > Male Connector (Housing)

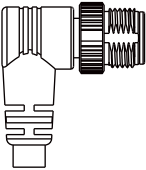

IP 67 . 68 9

Receptacle | Unmated
 Overmolded with Cable | Mated
 Field Installable | Mated

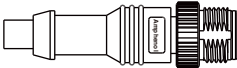

∟ **M12 I (Metal) > Receptacle > Female Connector (Housing) > Rear Fastened (Male+Female Contact)**

		
Type	Mounting Thread	5 Contacts
Solder Pin (180°)	PG9	12-05PFIS-SH8001
	M16.0	12-05PFIS-SH8003 12-05PFIS-SH8004

∟ **M12 I (Metal) > Overmolded with cable > Male Connector (Housing) > Right Angle (Male+Female Contact)**

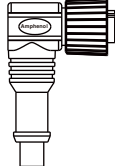
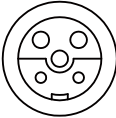
		
Type	5 Contacts	
With Strain Relief	12-05AMIM-SR7	
Without Strain Relief	12-05BMIM-SR8	

∟ **M12 I (Metal) > Overmolded with cable > Male Connector (Housing) > Straight (Male+Female Contact)**


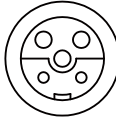
		
Type	5 Contacts	
With Strain Relief	12-05AMIM-SL7	
Without Strain Relief	12-05BMIM-SL8	

Cable Type	1M	2M	5M	10M
PVC	A01	A02	A05	A10
PU	B01	B02	B05	B10

∟ **M12 I (Metal) > Overmolded with cable > Female Connector (Housing) > Right Angle (Male+Female Contact)**

	
Type	5 Contacts
With Strain Relief	12-05AFIM-SR7
Without Strain Relief	12-05BFIM-SR8

∟ **M12 I (Metal) > Overmolded with cable > Female Connector (Housing) > Straight**

	
Type	5 Contacts
With Strain Relief	12-05AFIM-SL7
Without Strain Relief	12-05BFIM-SL8

Cable Type	1M	2M	5M	10M
PVC	A01	A02	A05	A10
PU	B01	B02	B05	B10

* Design and specification are subject to change without notice.

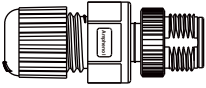

M12 I Style (Metal)

Field Installable > Female / Male Connector (Housing)

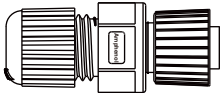

IP 67 . 68 

Receptacle | Unmated
Overmolded with Cable | Mated
Field Installable | Mated

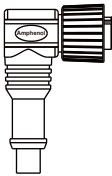
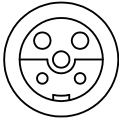
∟ M12 I (Metal) > Field Installable > Male Connector (Housing) > Straight (Male+Female Contact)

		
Type	Contact Type	5 Contacts
Without Strain Relief	Solder Type	12P-05BMIA-SL8001

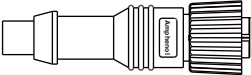
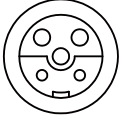
∟ M12 I (Plastic) > Field Installable > Female Connector (Housing) > Straight (Male+Female Contact)

		
Type	Contact Type	5 Contacts
Without Strain Relief	Solder Type	12P-05BFIA-SL8001

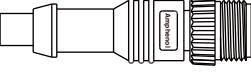

∟ M12 I (Plastic) > Overmolded with cable > Female Connector (Housing) > Right Angle (Male+Female Contact)

	
Type	5 Contacts
Without Strain Relief	12P-05BFIM-SR8

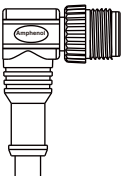
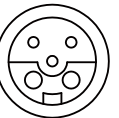
∟ M12 I (Plastic) > Overmolded with cable > Female Connector (Housing) > Straight (Male+Female Contact)

	
Type	5 Contacts
Without Strain Relief	12P-05BFIM-SL8

∟ M12 I (Plastic) > Overmolded with cable > Male Connector (Housing) > Straight (Male+Female Contact)

	
Type	5 Contacts
Without Strain Relief	12P-05BMIM-SL8

∟ M12 I (Plastic) > Overmolded with cable > Male Connector (Housing) > Right Angle (Male+Female Contact)

	
Type	5 Contacts
Without Strain Relief	12P-05BMIM-SR8

Cable Type	1M	2M	5M	10M
PVC	A01	A02	A05	A10
PU	B01	B02	B05	B10

* Design and specification are subject to change without notice.

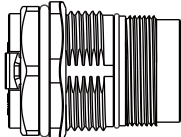
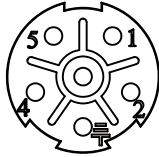
M23 Style (Metal)

Receptacle (Field Installable Type) > Male Connector (Housing)

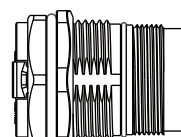

Field Installable > Female Connector (Housing)

Receptacle | Unmated
Overmolded with Cable | Mated
Field Installable | Mated

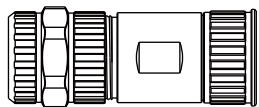
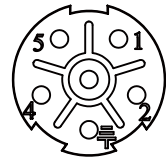
➤ **M23 (Metal) > Receptacle (Field Installable Type) > Male Connector (Housing) > Front Fastened**

			
Backshell: Hexagonal			
Type	Contact Gender	6 Contacts	
Crimp Pin	Male	LJ23-06PMMC-SF7001	

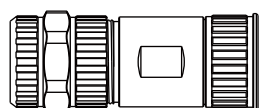

➤ **M23 (Metal) > Receptacle (Field Installable Type) > Male Connector (Housing) > Front Fastened**

			
Backshell: Hexagonal			
Type	Contact Gender	6 Contacts	
Crimp Pin	Female	LJ23-06PMFC-SF7001	




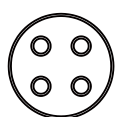
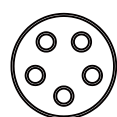
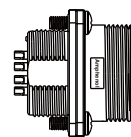

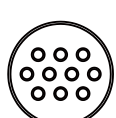


➤ **M23 (Metal) > Field Installable > Female Connector (Housing) > Straight**

			
Type	Contact Type	Contact Gender	6 Contacts
Without Strain Relief	Crimp Pin	Male	LJ23-06DFMC-SL7001

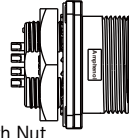


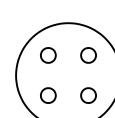
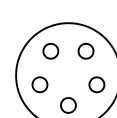
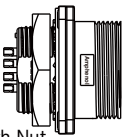
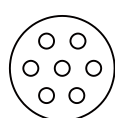
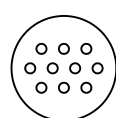
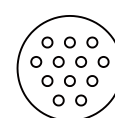
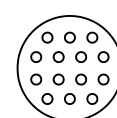
➤ **M23 (Metal) > Field Installable > Female Connector (Housing) > Straight**

			
Type	Contact Type	Contact Gender	6 Contacts
Without Strain Relief	Crimp Pin	Female	LJ23-06DFFC-SL7001 LJ23-06DFFC-SL7002

∟ Heavy Duty Shielded Connector (Metal) > Receptacle > Male Connector (Housing) > Front Fastened

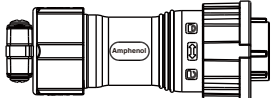

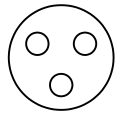
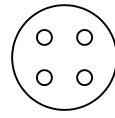
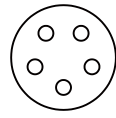
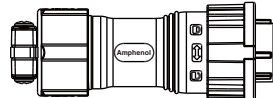
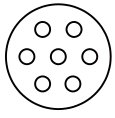
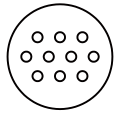
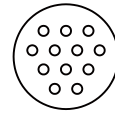
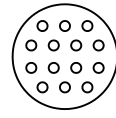
 <p>Backshell: Square Mating style: Screw Thread Mounting Thread: M3*4 pics</p>						
Current Rating	Contact Type	Salt Spray Test	2 Contacts	3 Contacts	4 Contacts	5 Contacts
10A	PCB Pin (180°) / Female	48H	-	-	LB20-04PMFS-SW8001	LB20-05PMFS-SW8001
		500H	-	-	HB20-04PMFS-SW8001	HB20-05PMFS-SW8001
20A	PCB Pin (180°) / Female	48H	LC20-02PMFS-SW8001	LC20-03PMFS-SW8001	-	-
		500H	HC20-02PMFS-SW8001	HC20-03PMFS-SW8001	-	-
 <p>Backshell: Square Mating style: Screw Thread Mounting Thread: M3*4 pics</p>						
Current Rating	Contact Type	Salt Spray Test	7 Contacts	10 Contacts	12 Contacts	14 Contacts
5A	PCB Pin (180°) / Female	48H	-	LD20-10PMFS-SW8001	LD20-12PMFS-SW8001	LD20-14PMFS-SW8001
		500H	-	HD20-10PMFS-SW8001	HD20-12PMFS-SW8001	HD20-14PMFS-SW8001
10A	PCB Pin (180°) / Female	48H	LB20-07PMFS-SW8001	-	-	-
		500H	HB20-07PMFS-SW8001	-	-	-

∟ Heavy Duty Shielded Connector (Metal) > Receptacle > Male Connector (Housing) > Rear Fastened

 <p>Backshell: Square Mating style: Screw Thread With Nut Mounting Thread: M20</p>						
Current Rating	Contact Type	Salt Spray Test	2 Contacts	3 Contacts	4 Contacts	5 Contacts
10A	PCB Pin (180°) / Female	48H	-	-	LB20-04PMFS-SN8001	LB20-05PMFS-SN8001
		500H	-	-	HB20-04PMFS-SN8001	HB20-05PMFS-SN8001
20A	PCB Pin (180°) / Female	48H	LC20-02PMFS-SN8001	LC20-03PMFS-SN8001	-	-
		500H	HC20-02PMFS-SN8001	HC20-03PMFS-SN8001	-	-
 <p>Backshell: Square Mating style: Screw Thread With Nut Mounting Thread: M20</p>						
Current Rating	Contact Type	Salt Spray Test	7 Contacts	10 Contacts	12 Contacts	14 Contacts
5A	PCB Pin (180°) / Female	48H	-	LD20-10PMFS-SN8001	LD20-12PMFS-SN8001	LD20-14PMFS-SN8001
		500H	-	HD20-10PMFS-SN8001	HD20-12PMFS-SN8001	HD20-14PMFS-SN8001
10A	PCB Pin (180°) / Female	48H	LB20-07PMFS-SN8001	-	-	-
		500H	HB20-07PMFS-SN8001	-	-	-

* Design and specification are subject to change without notice.

➤ Heavy Duty Shielded Connector (Metal) > Field Installable > Female Connector (Housing) > Straight

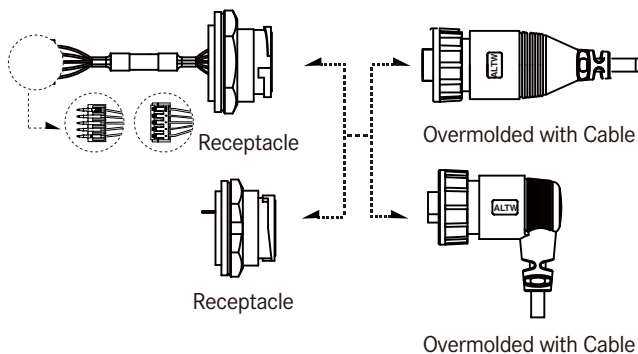
						
Without Strain Relief						
Current Rating	Contact Type	Salt Spray Test	2 Contacts	3 Contacts	4 Contacts	5 Contacts
10A	Solder Type / Male	48H	-	-	LB20-04BFMA-SL8001	LB20-05BFMA-SL8001
		500H	-	-	HB20-04BFMA-SL8001	HB20-05BFMA-SL8001
20A	Solder Type / Male	48H	LC20-02BFMA-SL8001	LC20-03BFMA-SL8001	-	-
		500H	HC20-02BFMA-SL8001	HC20-03BFMA-SL8001	-	-
						
Without Strain Relief						
Current Rating	Contact Type	Salt Spray Test	7 Contacts	10 Contacts	12 Contacts	14 Contacts
5A	Solder Type / Male	48H	-	LD20-10BFMA-SL8001	LD20-12BFMA-SL8001	LD20-14BFMA-SL8001
		500H	-	HD20-10BFMA-SL8001	HD20-12BFMA-SL8001	HD20-14BFMA-SL8001
10A	Solder Type / Male	48H	LB20-07BFMA-SL8001	-	-	-
		500H	HB20-07BFMA-SL8001	-	-	-

USB Connector

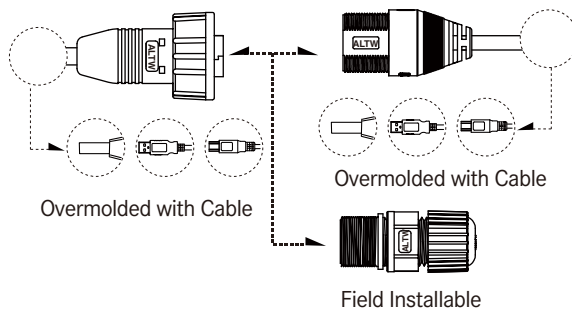


Range Overview

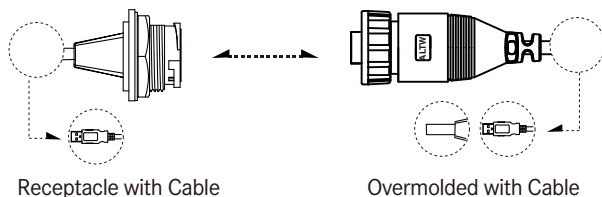
Receptacle to Overmolded with Cable



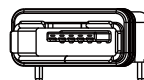
In Line



Receptacle with Cable to Overmolded with Cable



Micro USB



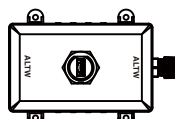
Accessories



Waterproof Cap
See page 21-16



Waterproof Cap
See page 21-16



Box
See page 21-21

Specification | USB

Identifications	USB 3.0 A Type USB 2.0 A Type, USB 2.0 B Type Mini USB 2.0 B Type
Description	Receptacle Receptacle With Cable Overmolded with Cable Field Installable
Current Rating / Data	USB 2.0: 1.5A ; USB 3.0: 1A
Material	Contacts: Copper Alloy, Gold Plated Connector Body (Housing) : PBT UL94V-0
Waterproof Rating	IP67~68
Temperature Range	Receptacle: Nylon+GF: -40°C~105°C M-PPE: -40°C~105°C ABS: -20°C~80°C Receptacle with cable: Nylon+GF: -20°C~105°C ABS: -20°C~80°C Overmolded with Cable: -20°C~80°C Field Installable: -20°C~80°C
Contact Resistance	≤ 50mΩ
Insulation Resistance	≥ 1000MΩ at DC 100V
Breakdown Voltage	≥ AC500V / 1 minute
More to know	USB 2.0: Standard Cable Length: 01-05M USB 3.0: Standard Cable Length: 01-03M Mini USB: Standard Cable Length: 01-04M

【Note】 Design and specification are subject to change without notice.

Ordering Information | USB

1 — 2 3 4 5 6 — 7 8 9 10

Specification

(**UA**) USB A Type (**NUB**) Mini USB B
(**UB**) USB B Type

Data Transfer Rate

(**20**) 2.0 (**30**) 3.0

Connector Body (Style)

> For Receptacle > For Overmolded with Cable

(**P**) Front Fastened (**A**) With Strain Relief
> For Field installable (**B**) Without Strain Relief

(**B**) Without Strain Relief

Connector (Housing) Gender

(**M**) Male (**F**) Female

Contact Gender

(**M**) Male (Plug) (**F**) Female (Jack)

Assemble Style

> For Receptacle > For Overmolded with Cable

(**P**) 180° PCB Type (**M**) Overmolded with Cable
(**R**) 90° PCB Type > For Field Installable
(**J**) Jack (**A**) Field installable (Solder)

Mating Style

(**S**) Screw Thread (**L**) 2 Points Lock Bayonet (Nut OD: 28.5mm)

(**N**) 2 Points Lock Bayonet (Nut OD: 25.4mm)

Backshell

> For Receptacle > For Overmolded with Cable > For Field Installable

(**C**) Circular (**L**) Straight (**L**) Straight
(**S**) Square (**R**) Right Angle

Waterproof Rating

(**7**) IP 67

(**8**) IP 68

More Information

> For Receptacle

(**001**) Without Cable
(**002**) With Cable (Harness
(50mm))

> For Overmolded with Cable

(□)+(■) : Cable Type + Cable Length
EX. (**A01**) = USB 2.0 Cable + 1M

(□) : Cable Type

(**A**) USB 2.0 Cable
(**B**) USB 3.0 Cable

(■) : Cable Length

USB2.0 :From 1M to 5M
USB3.0 :From 1M to 3M
Mini USB2.0: From 1M to 4M
EX. (**01**) = 1M

Ordering Information | USB | Double-ended

ALTW waterproof connector to ALTW waterproof connector

ALTW waterproof connector to Standard USB connector (None Waterproof)

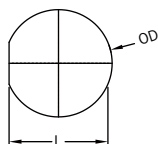
	1	2	3	4	5	6	7	8	9
Specification									
(UA) USB A Type									
(UB) USB B Type									
Data Transfer Rate									
(20) 2.0									
(30) 3.0									
Connector Body (Style)									
<u>> For Receptacle</u>									
(P) Front Fastened									
<u>> For Overmolded with Cable</u>									
(A) With Strain Relief									
(B) Without Strain Relief									
Connector (Housing) Gender									
(M) Male									
(F) Female									
Contact Gender									
(M) Male (Plug)									
(F) Female (Jack)									
Mating Style									
(S) Screw Thread									
(L) 2 Points Lock Bayonet (Nut OD: 28.5mm)									
Non-Waterproof (2ne End)									
(A) USB2.0 A Type (Plug)									
(D) USB3.0 A Type (Plug)									
(B) USB2.0 B Type (Plug)									
Waterproof Rating									
(6) IP 66									
(7) IP 67									
(8) IP 68									
More Information									
<u>> For Receptacle with Cable</u>									
(□)+(■) : Cable Type + Cable Length									
EX. (BX15) = USB 3.0 Cable + 150mm									
(□) : Cable Type									
(B) USB 3.0 Cable									
(■) : Cable Length									
USB3.0 :From 150mm to 300mm									
EX. (15) = 150mm									
<u>> For Overmolded with Cable</u>									
(□)+(■) : Cable Type + Cable Length									
EX. (A01) = USB 2.0 Cable + 1M									
(□) : Cable Type									
(A) USB 2.0 Cable									
(B) USB 3.0 Cable									
(■) : Cable Length									
USB2.0 :From 1M to 5M									
USB3.0 :From 1M to 3M									
EX. (01) = 1M									

【Note】 Design and specification are subject to change without notice.

Physical Dimension | USB

Receptacle

Panel Cut-Out



Type		Connector Gender (Housing)	L		OD	
			Male			
USB2.0	Type A	Screw Thread	19.4		20.8	
		2 Points Lock Bayonet	23.6		25.6	
	Type B	Screw Thread	19.4		20.8	
		2 Points Lock Bayonet	23.6		25.6	
USB3.0	Type A	Screw Thread	19.4		20.8	
		2 Points Lock Bayonet	23.6		25.6	
Mini USB	-	Screw Thread	14.8		15.6	

* Maximum Panel Thickness: USB: 4mm | Mini USB: 2.5mm

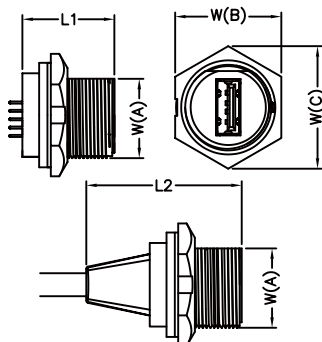
Unit: mm

* USB: Screw | Middle Size (13/16"-28 UNS)

2 Points Lock Bayonet | Large Size (1"20 UNEF)

* Mini USB: Screw | Standard Size (5/8"-27 UNS)

Connector Dimension



Receptacle with Cable

Type		Connector Gender (Housing)	W(A)	W(B)	W(C)	L1	L2
			Male				
USB2.0	Type A	Screw Thread	19.0	25.4	29.3	22.0	-
		2 Points Lock Bayonet	23.2	28.5	32.9	20.3	-
	Type B	Screw Thread	19.0	25.4	29.3	22.0	-
		2 Points Lock Bayonet	23.2	28.5	32.9	20.3	-
USB3.0	Type A	Screw Thread	19.0	25.4	29.3	-	37.2
		2 Points Lock Bayonet	23.2	28.5	32.9	-	37.5
Mini USB	-	Screw Thread	14.5	20.6	23.5	15.0	-

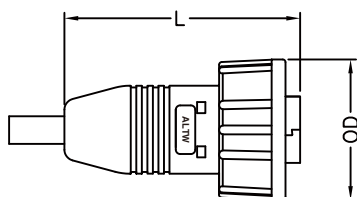
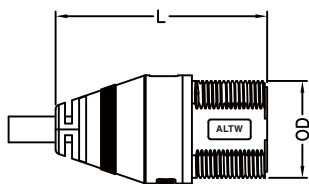
* USB: Screw | Middle Size (13/16"-28 UNS)

Unit: mm

2 Points Lock Bayonet | Large Size (1"20 UNEF)

*Mini USB: Screw | Standard Size (5/8"-27 UNS)

Overmolded with Cable



Type		Connector Gender (Housing)	L		OD	
			Female	Male	Female	Male
USB2.0	Type A	Screw Thread	42.6	45.0	25.4	20.6
		2 Points Lock Bayonet	73.3	-	28.5	-
	Type B	Screw Thread	42.6	45.0	25.4	20.6
		2 Points Lock Bayonet	73.3	-	28.5	-
USB3.0	Type A	Screw Thread	42.6	45.0	42.6	20.6
		2 Points Lock Bayonet	75.0	-	28.5	-
Mini USB	-	Screw Thread	42.6	45.0	20.0	15.45

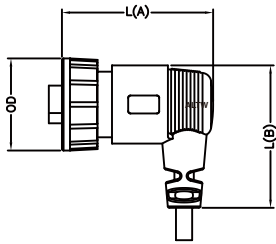
* USB: Screw | Middle Size (13/16"-28 UNS)

Unit: mm

2 Points Lock Bayonet | Large Size (1"20 UNEF)

*Mini USB: Screw | Standard Size (5/8"-27 UNS)

➤ Overmolded with Cable

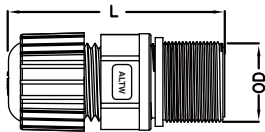


Type	Connector Gender (Housing)	L(A)		L(B)		OD		
		Female	Male	Female	Male	Female	Male	
USB 2.0	Type A	Screw Thread	-	-	-	-	-	-
		2 Points Lock Bayonet	46.8	-	44.1	-	28.5	-
	Type B	Screw Thread	-	-	-	-	-	-
		2 Points Lock Bayonet	46.8	-	44.1	-	28.5	-

* USB: Screw | Middle Size (13/16"-28 UNS)
2 Points Lock Bayonet | Large Size (1"20 UNEF)

Unit: mm

➤ Field Installable



Type	Connector Gender (Housing)	L		OD		
		Female	Male	Female	Male	
USB 2.0	Type A	Screw Thread	-	56.0	-	20.6
		2 Points Lock Bayonet	-	-	-	-
	Type B	Screw Thread	-	56.0	-	20.6
		2 Points Lock Bayonet	-	-	-	-
Mini USB	-	Screw Thread	-	45.0	-	15.45

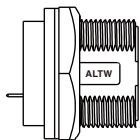
* USB: Screw | Middle Size (13/16"-28 UNS)
2 Points Lock Bayonet | Large Size (1"20 UNEF)

*Mini USB: Screw | Standard Size (5/8"-27 UNS)

Unit: mm

Product Features | USB

Receptacle



Backshell 8



Circular (C)

Mating Style 7



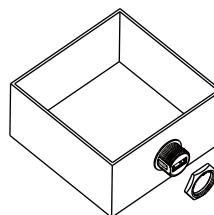
Screw Thread (S)



2 Points Lock Bayonet (L)
(Nut OD: 28.5mm)

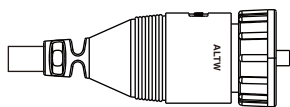
2 Points Lock Bayonet (N)
(Nut OD: 25.4mm)

Connector Body (Style) 3



Front Fastened (P)

Overmolded with Cable



Backshell 8



Straight (L)



Right Angle (R)

Mating Style 7



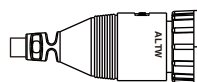
Screw Thread (S)



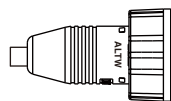
2 Points Lock Bayonet (L)
(Nut OD: 28.5mm)

2 Points Lock Bayonet (N)
(Nut OD: 25.4mm)

Connector Body (Style) 3

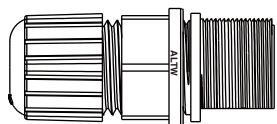


With Strain Relief (A)

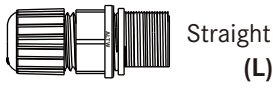


Without Strain Relief (B)

Field Installable



Backshell 8



Straight
(L)

Mating Style 7



Screw Thread (S)

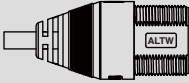
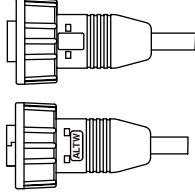
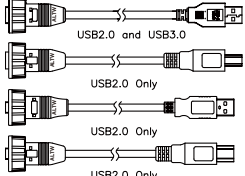
Connector Body (Style) 3



Without Strain Relief (B)


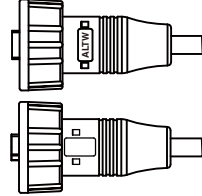
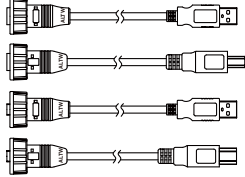
Find Our Standard Products | USB

USB > In-line

<ul style="list-style-type: none"> • Male Connector (Housing) • Female Contacts • Screw Thread • Middle Size (13/16"-28 UNS) 	<p>Overmolded with Cable-----></p> 	<p>Overmolded with Cable-----></p> 	<p>Overmolded with Cable (Double-Ended)</p>  <p>Non-Waterproof</p>
	<p>** USB 2.0: Choose the cable length from 01~05m ** USB 3.0: Choose the cable length from 01~03m</p>	<p>** USB 2.0: Choose the cable length from 01~05m ** USB 3.0: Choose the cable length from 01~03m</p>	<p>** USB 2.0: Choose the cable length from 01~05m ** USB 3.0: Choose the cable length from 01~03m</p>
Speed (Code)	Male Connector (M) Female Contacts (F)	Female Connector (F) Male Contacts (M)	Female Connector (F) Male Contacts (M)
USB 2.0 Type A	UA-20AMFM-SL7A <u>XX</u> **	UA-20BFMM-SL7A <u>XX</u> **	UA-20BFM-SA7A <u>XX</u> ** UA-20BFM-SB7A**
USB 2.0 Type B	UB-20AMFM-SL7A <u>XX</u> **	UB-20BFMM-SL7A <u>XX</u> **	UB-20BFM-SA7A <u>XX</u> ** UB-20BFM-SB7A**
USB 3.0 Type A	UA-30AMFM-SL7B <u>XX</u> **	UA-30BFMM-SL7B <u>XX</u> **	UA-30BFM-SD7B <u>XX</u> **

* Refer to P4-4 for ordering information.

USB > In-line

<ul style="list-style-type: none"> • Male Connector (Housing) • Female Contacts • Screw Thread • Middle Size (13/16"-28 UNS) 	<p>Field Installable -----></p> 	<p>Overmolded with Cable-----></p> 	<p>Overmolded with Cable (Double-Ended)</p>  <p>Non-Waterproof</p>
	<p>** USB 2.0: Choose the cable length from 01~05m</p>	<p>** USB 2.0: Choose the cable length from 01~05m</p>	<p>** USB 2.0: Choose the cable length from 01~05m</p>
Speed (Code)	Male Connector (M) Female Contacts (F)	Female Connector (F) Male Contacts (M)	Female Connector (F) Male Contacts (M)
USB 2.0 Type A	UA-20BMFA-SL8001	UA-20BFMM-SL7A <u>XX</u> **	UA-20BFM-SA7A <u>XX</u> ** UA-20BFM-SB7A <u>XX</u> **
USB 2.0 Type B	UB-20BMFA-SL8001	UB-20BFMM-SL7A <u>XX</u> **	UB-20BFM-SA7A <u>XX</u> ** UB-20BFM-SB7A <u>XX</u> **

* Refer to P4-4 for ordering information.

[Note] Design and specification are subject to change without notice.

USB

In-line | Receptacle and Mating Pair
 2 Points Lock Bayonet | Screw Thread
 Middle Size

▾ **USB > In-line**

<ul style="list-style-type: none"> • Male Connector (Housing) • Female Contacts • Screw Thread • Middle Size (13/16"-28 UNS) 	<p>Overmolded with Cable (Double-Ended)</p> <p>USB2.0 and USB3.0</p>	<p>Overmolded with Cable (Double-Ended)</p> <p>USB2.0 and USB3.0</p>	<p>Field Installable</p>
	<p>** USB 2.0: Choose the cable length from 01~05m ** USB 3.0: Choose the cable length from 01~03m</p>	<p>** USB 2.0: Choose the cable length from 01~05m ** USB 3.0: Choose the cable length from 01~03m</p>	
Speed (Code)	Male Connector (M) Female Contacts (F)	Female Connector (F) Male Contacts (M)	Female Connector (F) Male Contacts (M)
USB 2.0 Type A	UA-20AMF-SA7A <u>XX</u> ** UA-20AMF-SB7A <u>XX</u> **	UA-20BFM-SA7A <u>XX</u> ** UA-20BFM-SA7A <u>XX</u> **	-
USB 3.0 Type A	UA-30AMF-SD7B <u>XX</u> **	UA-30BFM-SD7B <u>XX</u> **	-
USB 2.0 Type B	UB-20AMFM-SA7A <u>XX</u> ** UB-20AMFM-SB7A <u>XX</u> **	UB-20BFM-SA7A <u>XX</u> ** UB-20BFM-SB7A <u>XX</u> **	-

▾ **USB > Receptacle and Mating Pair**

<ul style="list-style-type: none"> • Male Connector (Housing) • Female Contacts • Screw Thread • Middle Size (13/16"-28 UNS) 	<p>Receptacle</p> <p>Type 1 Type 2</p>	<p>Overmolded with Cable</p> <p>** Choose the cable length from 01~05m</p>	<p>Overmolded with Cable (Double-Ended)</p> <p>Non-Waterproof</p> <p>** Choose the cable length from 01~05m</p>
	Speed (Code)	Male Connector (M) Female Contacts (F)	Female Connector (F) Male Contacts (M)
USB 2.0 Type A	UA-20PMFP-SC8001 UA-20PMFP-SC8002 Type1 UA-20PMFP-SC8003 Type2	UA-20BFMM-SL7A <u>XX</u> **	UA-20BFM-SA7A <u>XX</u> ** UA-20BFM-SB7A <u>XX</u> **
USB 2.0 Type B	UB-20PMFP-SC8001 UB-20PMFP-SC8002 UB-20PMFP-SC8003	UB-20BFMM-SL7A <u>XX</u> **	UB-20BFM-SA7A <u>XX</u> ** UB-20BFM-SB7A <u>XX</u> **

↳ USB > Receptacle and Mating Pair

<ul style="list-style-type: none"> • Male Connector (Housing) • Female Contacts • 2 Points Lock Bayonet (Nut OD: 28.5mm) • Large Size (1" 20 UNEF) 	<p>Receptacle</p> <p>Type 1 Type 2</p>	<p>Overmolded with Cable</p> <p>** Choose the cable length from 01~05m</p>	<p>Field Installable</p>
	<p>Speed (Code)</p> <p>Male Connector (M) Female Contacts (F)</p>	<p>Female Connector (F) Male Contacts (M)</p>	<p>Female Connector (F) Male Contacts (M)</p>
<p>USB 2.0 Type A</p>	<p>UA-20PMFP-LC7001 UA-20PMFP-LC7002 <small>Type1</small> UA-20PMFP-LC7003 <small>Type2</small></p>	<p>UA-20AFMM-LL7AXX** UA-20AFMM-LR7AXX**</p>	<p>-</p>
<p>USB 2.0 Type B</p>	<p>UB-20PMFP-LC7001 UB-20PMFP-LC7002 UB-20PMFP-LC7003</p>	<p>UB-20AFMM-LL7AXX** UB-20AFMM-LR7AXX**</p>	<p>-</p>

↳ USB > Receptacle and Mating Pair

<ul style="list-style-type: none"> • Male Connector (Housing) • Female Contacts • 2 Points Lock Bayonet (Nut OD: 25.4mm) • Large Size (13/16-28 UN) 	<p>Receptacle</p>	<p>Overmolded with Cable</p> <p>** Choose the cable length from 01~05m</p>	<p>Field Installable</p>
	<p>Speed (Code)</p> <p>Male Connector (M) Female Contacts (F)</p>	<p>Female Connector (F) Male Contacts (M)</p>	<p>Female Connector (F) Male Contacts (M)</p>
<p>USB 2.0 Type A</p>	<p>UA-20PMFJ-NC7001</p>	<p>UA-20BFMM-NL7AXX**</p>	<p>-</p>

【Note】 Design and specification are subject to change without notice.

USB

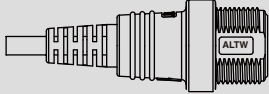
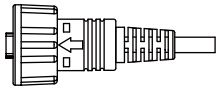
Receptacle with Overmolded Cable and Mating Pair
 2 Points Lock Bayonet
 Large Size

IP 67 . 68 9
 Unmated or Mated

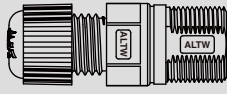
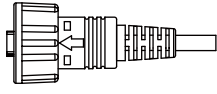
➤ **USB > Receptacle with Overmolded Cable and Mating Pair**

<ul style="list-style-type: none"> • Male Connector (Housing) • Female Contacts • Screw Thread • 2 Points Lock Bayonet (Nut OD: 28.5mm) • Large Size (1"20 UNEF) 	<p>Receptacle with Cable (Double-Ended)</p> <p>Non-Waterproof</p> <p>** USB 3.0: Choose the cable length from 150~300mm</p>	<p>Overmolded with Cable</p>	<p>Overmolded with Cable (Double-Ended)</p> <p>** USB 3.0: Choose the cable length from 01~03m</p>
	<p>Speed (Code)</p>	<p>Male Connector (M) Female Contacts (F)</p>	<p>Female Connector (F) Male Contacts (M)</p>
<p>USB 3.0 Type A</p>	<p>UA-30PMF-LD7BXX* UA-30PMF-SD7BXX*</p>	<p>UA-30AFMM-LL7BXX** UA-30BFMM-SL7BXX**</p>	<p>UA-30BFM-SD7BXX** UA-30AFM-LD7BXX**</p>

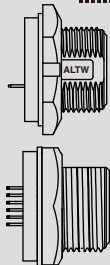
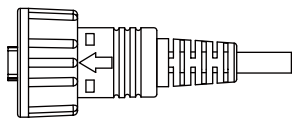
↳ **Mini USB > In-line**

<ul style="list-style-type: none"> • Male Connector (Housing) • Female Contacts • Screw Thread • Standard Size (5/8"-27 UNS) 	<p>Overmolded with Cable-----></p>  <p>** Choose the cable length from 01~04m</p>	<p>Overmolded with Cable -----></p>  <p>** Choose the cable length from 01~04m</p>	<p>Field Installable</p>
	Speed (Code)	Male Connector (M) Female Contacts (F)	Female Connector (F) Male Contacts (M)
Mini USB 2.0 Type B	NUB-20AMFM-SL7AXX**	NUB-20AFMM-SL7AXX**	-

↳ **Mini USB > In-line**

<ul style="list-style-type: none"> • Male Connector (Housing) • Female Contacts • Screw Thread • Standard Size (5/8"-27 UNS) 	<p>Field Installable -----></p> 	<p>Overmolded with Cable -----></p>  <p>** Choose the cable length from 01~04m</p>	<p>Field Installable</p>
	Speed (Code)	Male Connector (M) Female Contacts (F)	Female Connector (F) Male Contacts (M)
Mini USB 2.0 Type B	NUB-20BMFA-SL7001	NUB-20AFMM-SL7AXX**	-

↳ **Mini USB > Receptacle and Mating Pair**

<ul style="list-style-type: none"> • Male Connector (Housing) • Female Contacts • Screw Thread • Standard Size (5/8"-27 UNS) 	<p>Receptacle -----></p> 	<p>Overmolded with Cable -----></p>  <p>** Choose the cable length from 01~04m</p>	<p>Field Installable</p>
	Speed (Code)	Male Connector (M) Female Contacts (F)	Female Connector (F) Male Contacts (M)
Mini USB 2.0 Type B	NUB-20PMFP-SC7001 NUB-20PMFR-SC7001	NUB-20AFMM-SL7AXX**	-

【Note】 Design and specification are subject to change without notice.

Specification | Micro USB

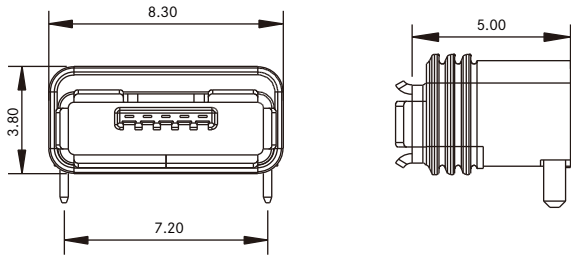
Identifications	Micro USB: A/B Type
Description	Panel
Current Rating / Data	1&5pin/1.8A , 2&3&4pin/1A
Material	Contacts: Copper Alloy, Gold Plated Connector Body (Housing) : PA9T , UL94V-0
Waterproof Rating	IP67~68
Temperature Range	Receptacle: -30°C~85°C
Contact Resistance	≤30mΩ
Insulation Resistance	≥1000mΩ at DC 100V(Micro USB)
Durability	10,000

Ordering Information | Micro USB

	1	2	3	4	5	6	7	8	9	10
Specification (MUC) Micro USB										
Data Transfer Rate (20) 2.0										
Connector Body (Style) > For Receptacle (P) Front Fastened										
Connector (Housing) Gender (F) Female										
Contact Gender (F) Female (Jack)										
Assemble Style > For Receptacle (R) 90° PCB Type										
Mating Style (J) For Joint										
Backshell > For Receptacle (S) Square										
Waterproof Rating (70) IPX7 (1M depht of water in 30min) (8A) IPX8 (1M depht of water in 24hrs) (8B) IPX8 (5M depht of water in 24hrs) (8C) IPX8 (10M depht of water in 3hrs)										
More information (01) Version 1										

【Note】 Design and specification are subject to change without notice.

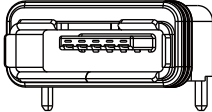
Physical Dimension | Micro USB



Unit: mm

Find Our Standard Products | Micro USB

▾ Micro USB

	
Waterproof Rating	Part Number
IP67 (1M, 30mins)	MUC-20PFFR-JS7001
IP68 (1M, 24hrs)	MUC-20PFFR-JS8A01
IP68 (5M, 24hrs)	MUC-20PFFR-JS8B01
IP68 (10M, 3hrs)	MUC-20PFFR-JS8C01

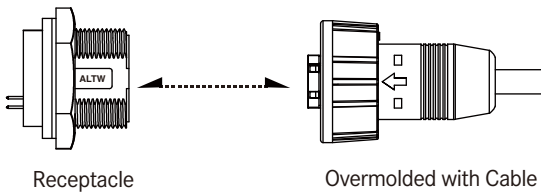
【Note】 Design and specification are subject to change without notice.

IEEE 1394 Connector

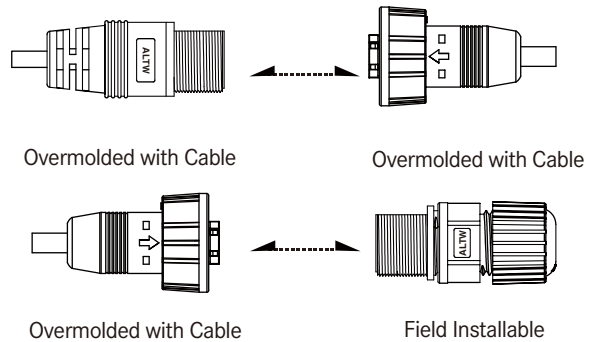


Range Overview

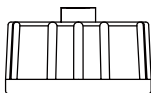
Receptacle to Overmolded with Cable



In Line



Accessories



Waterproof Cap
See page 21-16

Specification

Identifications	IEEE 1394
Description	Receptacle Overmolded with Cable Field Installable
Current Rating / Data	Receptacle: 1A Overmolded with Cable: 0.5A
Material	Contacts: Copper Alloy, Gold Plated Connector Body (Housing) : PBT UL94V-0
Waterproof Rating	IP67~68
Temperature Range	Receptacle: -20 °C~80 °C Overmolded with Cable: -20 °C~80 °C Field Installable: -20 °C~80 °C
Contact Resistance	≤ 50mΩ Max
Insulation Resistance	Receptacle: ≥ 100MΩ at DC 100V Overmolded with Cable: ≥ 1000MΩ at DC 100V
Durability	500 cycles
Breakdown Voltage	Receptacle: ≥ AC 500V / 1 minute Overmolded with Cable: ≥ AC 100V / 1 minute
More to know	Standard Cable Length: 01~04M

【Note】 Design and specification are subject to change without notice.

Ordering Information

1 — 2 3 4 5 6 — 7 8 9 10

Specification

(13) 1394 Connector

Type

(AA) 1394A

Connector Body (Style)

> For Receptacle
(P) Front Fastened
> For Field installable
(B) Without Strain Relief

> For Overmolded with Cable
(A) With Strain Relief
(B) Without Strain Relief

Connector (Housing) Gender

(M) Male Connector (F) Female Connector

Contact Gender

(M) Male (Plug) (F) Female (Jack)

Assemble Style

> For Receptacle
(P) 180° PCB Type

> For Overmolded with Cable
(M) Overmolded with Cable
> For Field Installable
(A) Field installable (Solder)

Mating Style

(S) Screw Thread

Backshell

> For Receptacle
(C) Circular
> For Field Installable
(L) Straight

> For Overmolded with Cable
(L) Straight

Waterproof Rating

(7) IP 67
(8) IP 68

More Information

> For Receptacle
(001) Without Cable
(002) With Cable (Harness
(50mm))

> For Overmolded with Cable
(□)+(■) : Cable Type + Cable Length
EX. (A01) = 1394A Cable + 1M

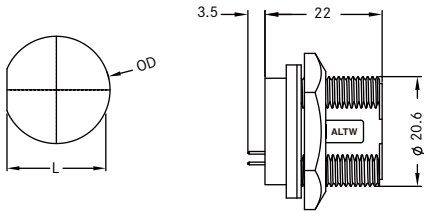
(□) : Cable Type
(A) 1394A Cable

(■) : Cable Length
From 1M to 4M
EX. (01) = 1M

Physical Dimension

Receptacle

Panel Cut-Out Connector Dimension



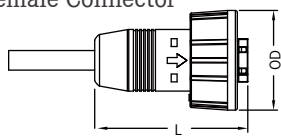
Type \ Dimension	L	OD
Connector Gender	Male	
IEEE 1394	19.4	20.8

* Maximum Panel Thickness: 4mm

Unit: mm

Overmolded with Cable

Female Connector

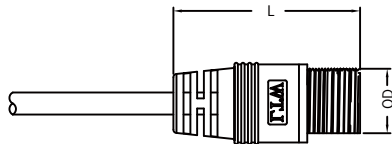


Without Strain Relief

Type \ Dimension	L		OD	
Connector Gender	Female	Male	Female	Male
IEEE 1394	39.0	55.0	25.4	20.6

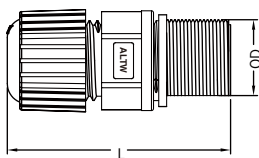
Unit: mm

Male Connector



With Strain Relief

Field Installable

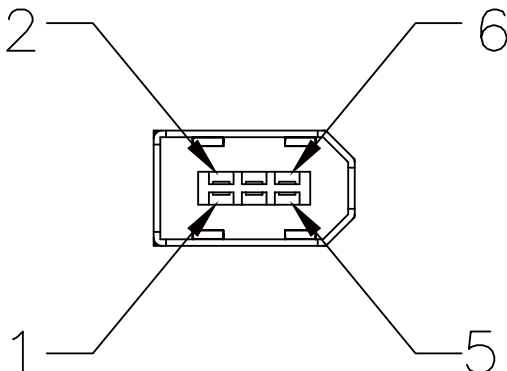


without Strain Relief / Straight

Type \ Dimension	L		OD	
Connector Gender	Female	Male	Female	Male
IEEE 1394	-	56.5	-	20.6

Unit: mm

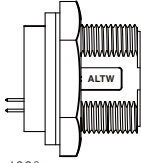
Contact Configuration



【Note】 Design and specification are subject to change without notice.

Product Features

Receptacle



* PCB Pin 180°

Backshell 8



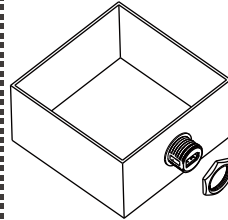
Circular (C)

Mating Style 7



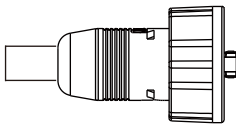
Screw Thread (S)

Connector Body (Style) 3

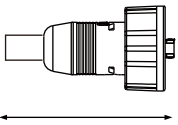


Front Fastened (P)

Overmolded with Cable



Backshell 8



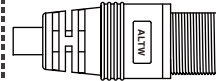
Straight (L)

Mating Style 7

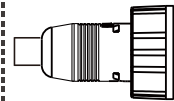


Screw Thread (S)

Connector Body (Style) 3

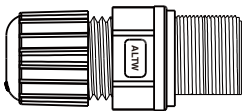


With Strain Relief (A)

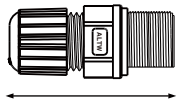


Without Strain Relief (B)

Field Installable



Backshell 8



Straight (L)

Mating Style 7



Screw Thread (S)

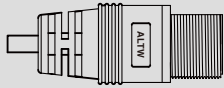
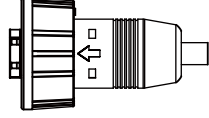
Connector Body (Style) 3



Without Strain Relief (B)

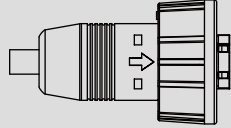
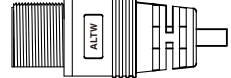
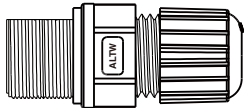
Find Our Standard Products

↘ In-line

<ul style="list-style-type: none"> • Male Connector (Housing) • Female Contacts • Screw Thread 	Overmolded with Cable	Overmolded with Cable	Field Installable
			
Code	Male Connector (M) Female Contacts (F)	Female Connector (F) Male Contacts (M)	Female Connector (F) Male Contacts (M)
IEEE 1394 A Type (13)	13-AAAMFM-SL7A XX *	13-AABFMM-SL7A XX *	-

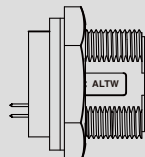
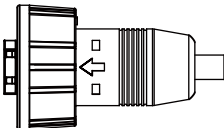
* ~~XX~~: Choose the cable length from 01~04m

↘ In-line

<ul style="list-style-type: none"> • Female Connector (Housing) • Male Contacts • Screw Thread 	Overmolded with Cable	Overmolded with Cable	Field Installable
			
Code	Female Connector (F) Male Contacts (M)	Male Connector (M) Female Contacts (F)	Male Connector (M) Female Contacts (F)
IEEE 1394 A Type (13)	13-AABFMM-SL7A XX *	13-AAAMFM-SL7A XX *	13-AABMFA-SL8001

* ~~XX~~: Choose the cable length from 01~04m

↘ Receptacle and Mating Pair

<ul style="list-style-type: none"> • Male Connector (Housing) • Female Contacts • Screw Thread 	Receptacle	Overmolded with Cable	Field Installable
			
Code	Male Connector (M) Female Contacts (F)	Female Connector (F) Male Contacts (M)	Female Connector (F) Male Contacts (M)
IEEE 1394 A Type (13)	13-AAPMFP-SC8001	13-AABFMM-SL7A XX *	-

* ~~XX~~: Choose the cable length from 01~04m

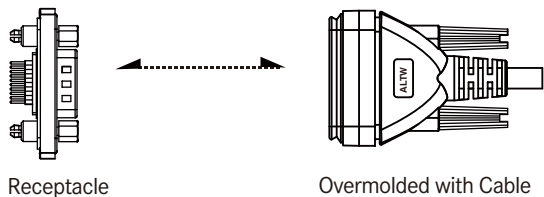
[Note] Design and specification are subject to change without notice.

D-Sub Connector

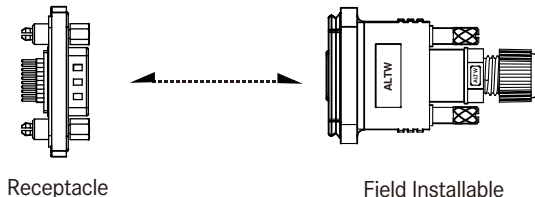


Range Overview

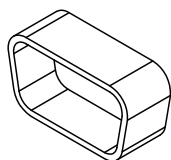
Receptacle to Overmolded with Cable



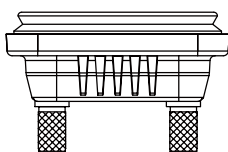
Receptacle to Field Installable



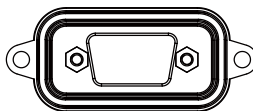
Accessories



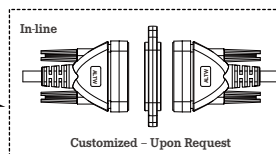
Dust Cap
See page 21-10



Waterproof Cap
See page 21-16



Joint
See page 21-23



Specification

Identifications	Standard D-Sub Connector High Density D-Sub Connector
Description	Receptacle Overmolded with Cable Field Installable
Current Rating / Data	Standard D-Sub : 5A High Density D-Sub : 2A
Material	Contacts: Copper Alloy, Gold Plated Connector Body (Housing) : Nylon 9T or PBT, UL Recognized Shell: Steel, Nickel Plated
Waterproof Rating	Receptacle: IP68 Overmolded with Cable: IP67 Field Installable: IP67
Temperature Range	Receptacle: -40°C~105°C Overmolded with Cable: -20°C~80°C Field Installable: -40°C~105°C
Contact Resistance	≤ 20mΩ
Insulation Resistance	≥ 500mΩ at DC500V
Durability	500 cycles
Breakdown Voltage	≥ AC500V / 1 minute
More to know	Standard Cable Length: 01~99M

【Note】 Design and specification are subject to change without notice.

Ordering Information

1 — 2 3 4 5 6 — 7 8 9 10

Specification

> Standard (SDB) D-SUB > High Density (HDB) High Density D-SUB

Number of Contacts
09,15,,25,26...78 Contacts
Ex. 09 Pin = **(09)**

Connector Body (Style)

> For Receptacle (P) Front Fastened > For Overmolded with Cable (A) With Strain Relief
> For Field installable (B) Without Strain Relief

Connector (Housing) Gender

(M) Male (F) Female

Contact Gender

(M) Male (Plug) (F) Female (Jack)

Assemble Style

> For Receptacle (S) Solder Type > For Overmolded with Cable (M) Overmolded with Cable
(P) PCB Type (90° / 180°) > For Field Installable (A) Field Installable (Solder)
(C) Field Installable (Crimped)

Mating Style

(S) Screw Thread (Q) Automated Latch

Backshell

> For Receptacle (With Board Lock) (A) Straight > For Overmolded with Cable (Without Board Lock) (L) Straight
(B) Right Angle (Without Board Lock) > For Field Installable (Without Board Lock)
(L) Straight (L) Straight
(R) Right Angle

Waterproof Rating

(7) IP 67
(8) IP 68

More Information

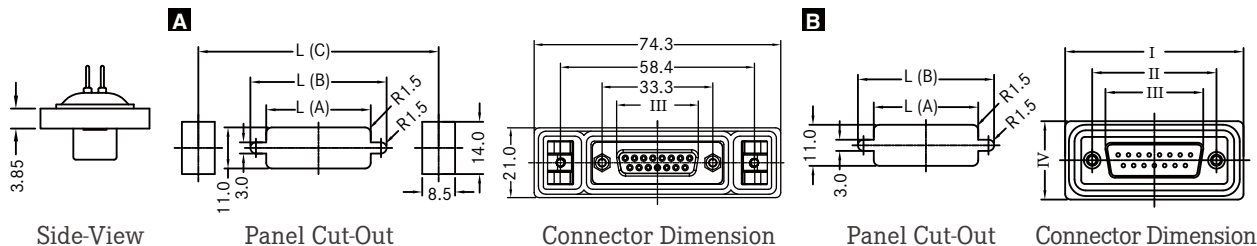
> For Receptacle (001), (002).....
Without Cable : Different Versions

> For Overmolded with Cable
(□)+(■) : Cable Type + Cable Length
EX. **(A01)** = UL2464 Cable + 1M

(□) : Cable Type (■) : Cable Length
(A) UL2464 Cable From 1M to 99M
EX. **(01)** = 1M

Physical Dimension

Receptacle

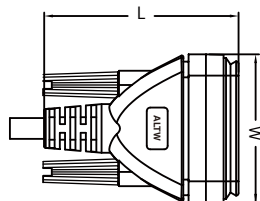


Current Rating		Dimension		Type	L (A)	L (B)	L (C)	I	II	III		IV
Connector	Current Rating	Number of Contacts	Female / Male					Female	Male	Female	Male	Female / Male
Standard D-SUB	5A	9Pins	B	20.0	28.2	-	39.4	25.0	16.33	16.92	21.0	
		15Pins	A	28.0	36.5	58.4	-	-	24.66	25.25	-	
			B	28.0	36.5	-	47.8	33.3	24.66	25.25	21.0	
		25Pins	B	41.5	51.0	-	64.5	47.04	38.4	38.96	21.0	
		37Pins	B	57.9	67.8	-	78.4	63.5	54.8	55.4	21.3	
High Density D-SUB	2A	50Pins	B	55.5	65.0	-	75.9	61.0	52.20	52.80	23.9	
		15Pins	B	20.0	28.2	-	39.4	25.0	16.33	16.92	21.0	
		26Pins	A	28.0	36.5	58.4	-	-	24.66	25.25	-	
			B	28.0	36.5	-	47.8	33.3	24.66	25.25	21.0	
		44Pins	B	41.5	51.0	-	64.5	47.04	38.40	38.96	21.0	
62Pins	B	57.9	67.8	-	78.4	63.5	54.8	55.4	21.3			
78Pins	B	55.5	65.0	-	75.9	61.1	52.20	52.80	23.9			

* Maximum Panel Thickness: 2mm

Unit: mm

Overmolded with Cable

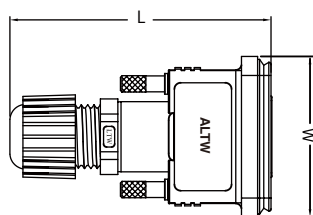


With Strain Relief / Straight

Current Rating		Dimension		L	W
Connector	Current Rating	Number of Contacts	Female / Male	Female / Male	Female / Male
Standard D-SUB	5A	9	55.9	42.4	
		15	53.5	50.6	
		25	60.0	64.5	
		37	69.3	81.1	
		50	71.8	79.3	
High Density D-SUB	2A	15	55.9	42.4	
		26	53.5	50.6	
		44	60.0	64.5	
		62	69.3	81.1	
		78	71.8	79.3	

Unit: mm

Field Installable



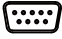
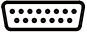








Without Strain Relief / Straight

Current Rating		Dimension		L	W
Connector	Current Rating	Number of Contacts	Female / Male	Female / Male	Female / Male
Standard D-SUB	5A	9	66.8	42.8	
		15	63.0	50.7	
		25	81.6	50.6	
		37	91.9	64.4	
High Density D-SUB	2A	15	66.8	42.8	
		26	63.0	50.7	
		44	81.6	50.6	

Unit: mm

[Note] Design and specification are subject to change without notice.

Contact Configuration

	Standard D-SUB (5A)	High Density D-SUB (2A)
9Pin (09)	 R C F	
15Pin (15)	 R C F	 R C F
25Pin (25)	 R C F	
26Pin (26)		 R C F
37Pin (37)	 R C	
44Pin (44)		 R C F
50Pin (50)	 R C	
62Pin (62)		 R C
78Pin (78)		 R C

R: Receptacle
C: Overmolded with Cable
F: Field Installable

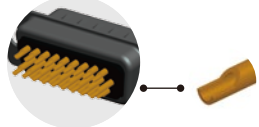


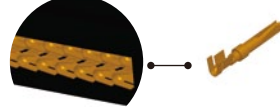
▲ 2A (HDB) 1
● 5A (SDB)

Number of Contacts : 2
Ex.2 contacts (02)

Connector (Housing) Gender: 4
Male(M) or Female(F)

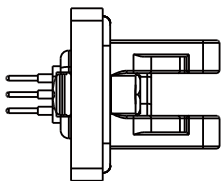
Contact Gender: 5
Male(M) or Female(F)

More to Choose: 6

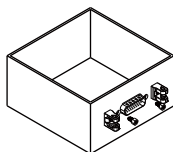
- Solder (S)
- Solder Contact

- PCB Type (P)
- 90° PCB - 180° PCB
 
- Crimp type (C)


Product Features

Receptacle

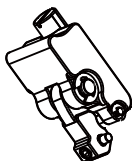


Connector Body(Style) 3



Front Fastened (P)

Mating Style 7

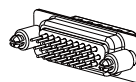


Automated Latch (Q)

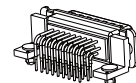


Screw Thread (S)

Backshell 8



(With Board Lock)
Straight (A)



Right Angle (B)

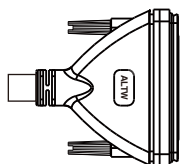


(Without Board Lock)
Straight (L)



Right Angle (R)

Overmolded with Cable

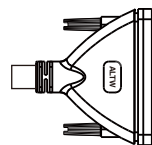


Mating Style 7



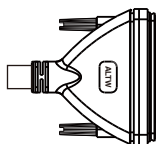
Screw Thread (S)

Connector Body(Style) 3



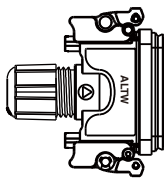
With Strain Relief (A)

Backshell 8



Straight (L)

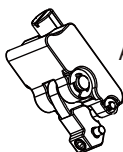
Field Installable



(Metal Item)

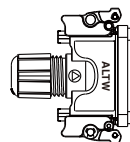
Mating Style 7

(Metal Item)

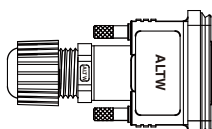


Automated Latch (Q)

Connector Body(Style) 3



Without Strain Relief (B)



(Plastic Item)

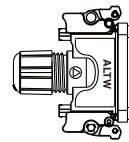
Mating Style 7

(Plastic Item)



Screw Thread (S)

Backshell 8



Straight (L)

【Note】 Design and specification are subject to change without notice.

Find Our Standard Products

↘ Receptacle and Mating Pair

<ul style="list-style-type: none"> • Male Connector (Housing) • Male Contacts • Screw Thread • Plastic Connectors 		Receptacle	Overmolded with Cable	Field Installable
Current Rating (Code)	Contacts 2	Male Connector (M) Male Contacts (M)	Female Connector (F) Female Contacts (F)	Female Connector (F) Female Contacts (F)
Standard D-SUB 5A (SDB)	09, 15, 25, 37, 50	SDB- 2 PMMP-SA800 1 SDB- 2 PMMP-SB800 1 SDB- 2 PMMP-SL800 1 SDB- 2 PMMP-SR800 1 SDB- 2 PMMS-SL800 1	SDB- 2 AFFM-SL7AXX*	SDB- 2 BFFA-SL700 1 SDB- 2 BFFC-SL700 1
High Density D-SUB 2A (HDB)	15, 26, 44, 62, 78	HDB- 2 PMMP-SA800 1 HDB- 2 PMMP-SB800 1 HDB- 2 PMMP-SL800 1 HDB- 2 PMMP-SR800 1 HDB- 2 PMMS-SL800 1	HDB- 2 AFFM-SL7AXX*	HDB- 2 BFFA-SL700 1
		- PCB 180° with Board Lock : 5A (SDB) 09 / 15 / 25 / 37 pins. 2A (HDB) 15 / 26 / 44 / 62 pins. - PCB 90° with Board Lock: 5A (SDB) 09 / 15 pins. 2A (HDB) 15 / 26 pins. - Solder Type: 5A (SDB) 09 / 15 / 25 / 37 / 50 pins. 2A (HDB) 15 / 26 / 44 / 62 / 78 pins.	-	- Crimp Pin: 5A (SDB) 09 / 15 / 25 pins. - Solder Pin: 5A (SDB) 09 / 15 / 25 pins. 2A (HDB) 15 / 26 / 44 pins.

* XX: Choose the cable length from 01~99

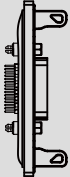
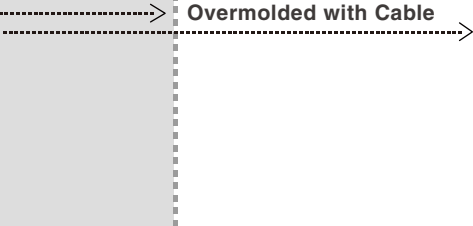
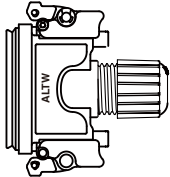
▾ Receptacle and Mating Pair

<ul style="list-style-type: none"> • Female Connector (Housing) • Female Contacts • Screw Thread • Plastic Connectors 		Receptacle	Overmolded with Cable	Field Installable
Current Rating (Code)	Contacts 2	Female Connector (F) Female Contacts (F)	Male Connector (M) Male Contacts (M)	Male Connector (M) Male Contacts (M)
Standard D-SUB 5A (SDB)	09, 15, 25, 37, 50	SDB- 2 PFFP-SA800 1 SDB- 2 PFFP-SB800 1 SDB- 2 PFFP-SL800 1 SDB- 2 PFFP-SR800 1 SDB- 2 PFFS-SL800 1	SDB- 2 AMMM-SL7XX*	SDB- 2 BMMA-SL700 1 SDB- 2 BMMA-SL700 1
High Density D-SUB 2A (HDB)	15, 26, 44, 62, 78	HDB- 2 PFFP-SA800 1 HDB- 2 PFFP-SB800 1 HDB- 2 PFFP-SL800 1 HDB- 2 PFFP-SR800 1 HDB- 2 PFFS-SL800 1	HDB- 2 AMMM-SL7AXX*	HDB- 2 BMMA-SL700 1
		- PCB 180° with Board Lock : 5A (SDB) 09 / 15 / 25 / 37 pins. 2A (HDB) 15 / 26 / 44 / 62 pins. - PCB 90° with Board Lock: 5A (SDB) 09 / 15 pins. 2A (HDB) 15 / 26 pins. - Solder Type: 5A (SDB) 09 / 15 / 25 / 37 / 50 pins. 2A (HDB) 15 / 26 / 44 / 62 / 78 pins.	-	- Crimp Pin: 5A (SDB) 09 / 15 / 25 pins. - Solder Pin: 5A (SDB) 09 / 15 / 25 pins. 2A (HDB) 15 / 26 / 44 pins.

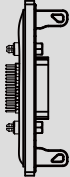
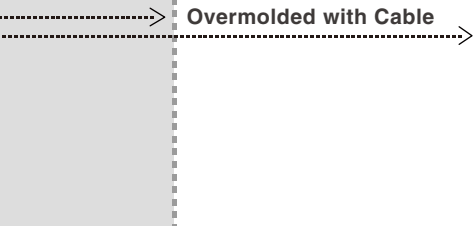
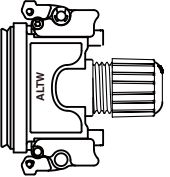
* XX: Choose the cable length from 01~99

【Note】 Design and specification are subject to change without notice.

∟ Receptacle and Mating Pair

<ul style="list-style-type: none"> • Male Connector (Housing) • Male Contacts • Automated Latch • Metal Connectors 		Receptacle	Overmolded with Cable	Field Installable
				
Current Rating (Code)	Contacts	Male Connector (M) Male Contacts (M)	Female Connector (F) Female Contacts (F)	Female Connector (F) Female Contacts (F)
Standard D-SUB 5A (SDB)	15	SDB-15PMMP-QA8001 SDB-15PMMP-QB8001 SDB-15PMMP-QL8001 SDB-15PMMS-QL8001	-	SDB-15BFFA-QL7001
High Density D-SUB 2A (HDB)	26	HDB-26PMMP-QA8001 HDB-26PMMP-QB8001 HDB-26PMMP-QL8001 HDB-26PMMS-QL8001	-	HDB-26BFFA-QL7001

∟ Receptacle and Mating Pair

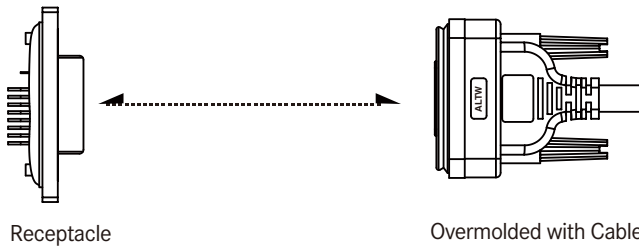
<ul style="list-style-type: none"> • Female Connector (Housing) • Female Contacts • Automated Latch • Metal Connectors 		Receptacle	Overmolded with Cable	Field Installable
				
Current Rating (Code)	Contacts	Female Connector (F) Female Contacts (F)	Male Connector (M) Male Contacts (M)	Male Connector (M) Male Contacts (M)
Standard D-SUB 5A (SDB)	15	SDB-15PFFP-QA8001 SDB-15PFFP-QB8001 SDB-15PFFP-QL8001 SDB-15PFFS-QL8001	-	SDB-15BMMA-QL7001
High Density D-SUB 2A (HDB)	26	HDB-26PFFP-QA8001 HDB-26PFFP-QB8001 HDB-26PFFP-QL8001 HDB-26PFFS-QL8001	-	HDB-26BMMA-QL7001

DVI Connector



Range Overview

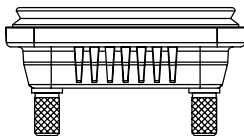
∟ Receptacle to Overmolded with Cable



Receptacle

Overmolded with Cable

∟ Accessories



Waterproof Cap
See page 21-16

Specification

Identifications	DVI-D Single Link (DDS): Digital DVI-D Dual Link (DDD): Digital DVI-I Single Link (DIS): Digital and Analog DVI-I Dual Link (DID): Digital and Analog
Description	Receptacle Overmolded with Cable
Current Rating / Data	1.5A
Material	Contacts: Cooper Alloy, Gold Plated Connector Body (Housing): Nylon + GF, UL Recognized Shell: Steel, Nickel Plated
Waterproof Rating	Receptacle: IP68 Overmolded with Cable: IP67
Temperature Range	Receptacle: -20°C~80°C Overmolded with Cable: -20°C~80°C
Contact Resistance	≤ 20mΩ
Insulation Resistance	≥ 1000mΩ at DC500V
Durability	100 cycles
Breakdown Voltage	≥ AC 500V / 1 minute
More to know	Standard Cable Length: 01~05M

【Note】 Design and specification are subject to change without notice.

Ordering Information



Specification

(DIS) DVI-I Single Link **(DDS)** DVI-D Single Link
(DID) DVI-I Dual Link **(DDD)** DVI-D Dual Link

* For digital and analog, please choose DVI-I
 * For digital only, please choose DVI-D

Number of Contacts

19, 23, 25, 29... Contacts
 Ex. 19 Pin = **(19)**

Connector Body (Style)

> For Receptacle > For Overmolded with Cable
(P) Front Fastened **(A)** With Strain Relief

Connector (Housing) Gender

(M) Male **(F)** Female

Contact Gender

(M) Male **(F)** Female

Assemble Style

> For Receptacle > For Overmolded with Cable
(S) Solder Type **(M)** Overmolded with Cable

Mating Style

(S) Screw Thread

Backshell

> For Receptacle > For Overmolded with Cable
(L) Straight / Without Board Lock **(L)** Straight

Waterproof Rating

(7) IP 67
(8) IP 68

More Information

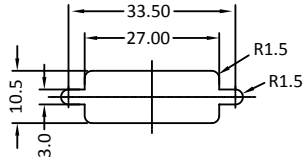
> For Receptacle > For Overmolded with Cable
(001), (002)..... + : Cable Type + Cable Length
 Without Cable : Different Versions EX. **(A01)** = UL20276 Cable + 1M

: Cable Type : Cable Length
(A) UL20276 From 1M to 5M
 28AWG/PVC EX. **(01)** = 1M

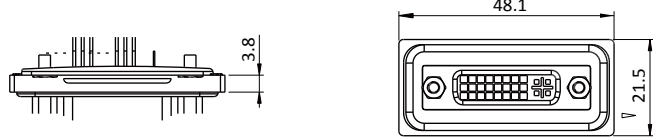
Physical Dimension

Receptacle

Panel Cut-Out



Connector Dimension

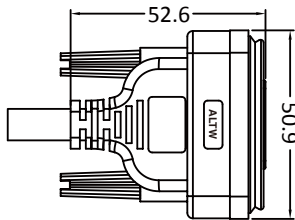


* Maximum Panel Thickness: 2mm

* Unit: mm

* The dimension is feasible for DVI-D Single Link(DDS), DVI-D Dual Link(DDD), DVI-D Single Link(DIS), and DVI-D Dual Link(DID)

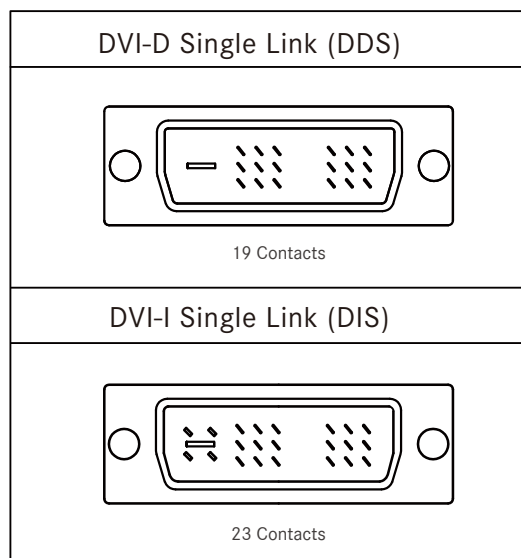
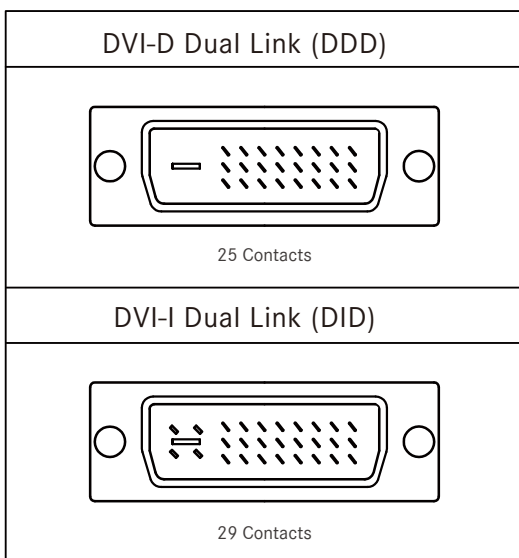
Overmolded with Cable



* Unit: mm

* The dimension is feasible for DVI-D Single Link(DDS), DVI-D Dual Link(DDD), DVI-D Single Link(DIS), and DVI-D Dual Link(DID)

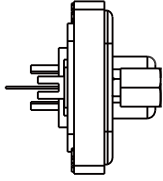
Contact Configuration



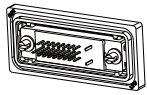
【Note】 Design and specification are subject to change without notice.

Product Features

Receptacle



Backshell 8



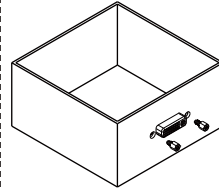
Straight (L)

Mating Style 7



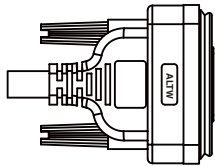
Screw Thread (S)

Connector Body(Style) 3

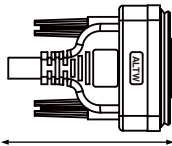


Front Fastened (P)

Overmolded with Cable



Backshell 8



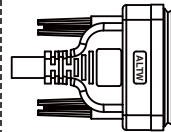
Straight
(L)

Mating Style 7



Screw Thread (S)

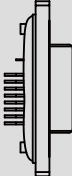
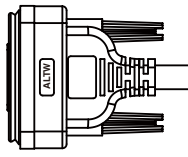
Connector Body(Style) 3



With Strain Relief (A)

Find Our Standard Products

▾ Receptacle and Mating Pair

	Receptacle	Overmolded with Cable	Field Installable
<ul style="list-style-type: none"> • Female Connector (Housing) • Female Contacts • Screw Thread 			
Code	Female Connector (F) Female Contacts (F)	Male Connector (M) Male Contacts (M)	Male Connector (M) Male Contacts (M)
DVI-D Single Link (DDS)	DDS-19PFFS-SL8001	DDS-19AMMM-SL7A XX *	-
DVI-D Dual Link (DDD)	DDD-25PFFS-SL8001	DDD-25AMMM-SL7A XX *	-
DVI-I Single Link (DIS)	DIS-23PFFS-SL8001	DIS-23AMMM-SL7A XX *	-
DVI-I Dual Link (DID)	DID-29PFFS-SL8001	DID-29AMMM-SL7A XX *	-

【Note】 For digital and analog, please choose DVI-I
 For digital only, please choose DVI-D

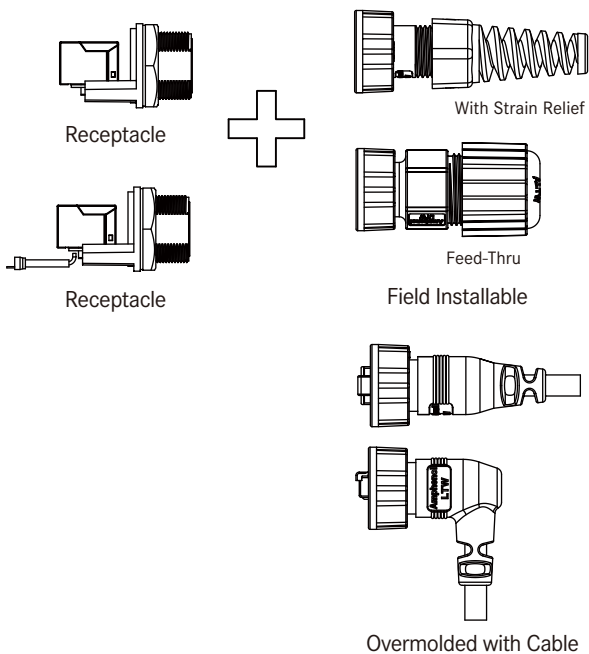
* **XX**: Choose UL20276 cable and select the cable length from 01~05m

RJ Connector

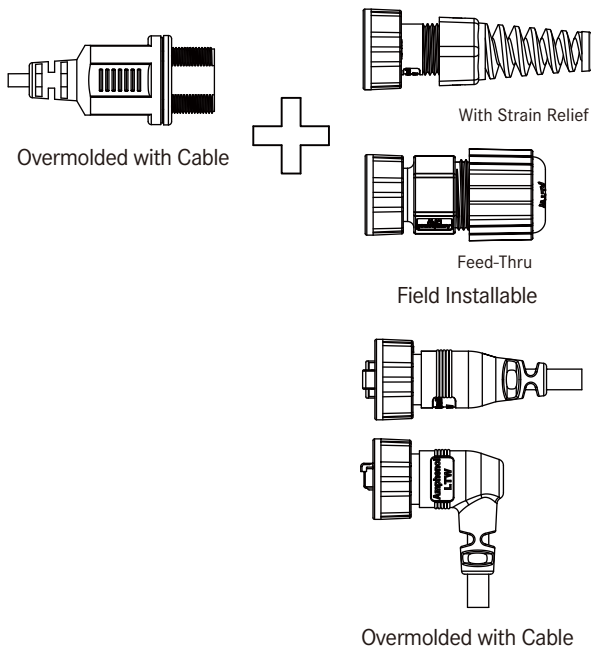


Range Overview

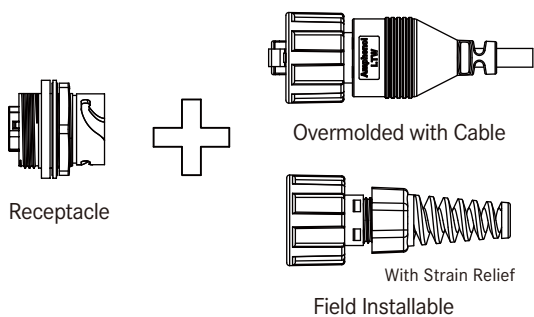
Receptacle and Mating Pair



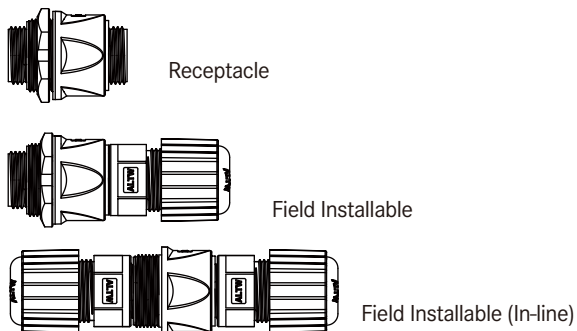
In Line



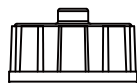
Receptacle and Mating Pair (ODVA)



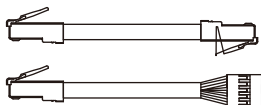
I Adaptor



Accessories



Waterproof Cap
See page 21-17



Patch Cable (Double-ended)
See page 21-24

[Note] Design and specification are subject to change without notice.

Specification

Identifications	Middle Size: 13/16"-28 UNS (Cat. 5e) Large Size: 1"-20 UNEF (Cat. 5e / Cat. 6) ODVA (Cat. 5e)
Description	Receptacle Receptacle With Cable Overmolded with Cable Field Installable
Current Rating / Data	100 Base, 100 Base T and 1000 Base T Networks Cat 5E/Cat 6 per TIA or EIA 568B Class D per ISO / IEC 11801
Material	Connector Body: -Housing: Polyester, UL94V-0, UV Resistant -Fastening Nut (Panel Side): Polyester UL94V-0,UV Resistant -Mating Lock Nut: Polyester , UL94V-0,UV Resistant RJ45 Jack and Plug Contacts: Phosphor Bronze, Gold Plated
Waterproof Rating	IP67
Temperature Range	Receptacle: -20°C ~ 105°C Overmolded with Cable: -20°C~80°C
Contact Resistance	≤ 20mΩ
Insulation Resistance	≥ 500mΩ at DC500V
Durability	750 cycles
Breakdown Voltage	≧AC 1000V 1 minute <5mA
More to know	Thermal shock: -40~80°C 5cycls Salt Spray Corrosion: 48H POE: 60W /2A Standard Cable Length: 01-99M

Ordering Information

	1	2	3	4	5	6	7	8	9	10
Specification										
(RCP) RJ45 C Size (Plastic)										
(RCM) RJ45 C Size (Metal)										
(RDP) RJ45 D Size (Plastic)										
(ROP) RJ45 ODVA (Plastic)										
Cat Type & Shielded										
(00) None										
(5U) Cat.5e Unshielded										
										(5S) Cat.5e shielded
Connector Body (Style)										
> For Receptacle										
(P) Front Fastened										
(R) Rear Fastened										
(D) Dual Fastened										
										> For Overmolded with Cable
										(A) With Strain Relief
										(B) Without Strain Relief
										> For Field Installable
										(A) With Strain Relief
										(B) Without Strain Relief
Connector (Housing) Gender										
(MM) Plug										
										(FF) Jack
Assemble Style										
> For Receptacle										
(H) Jack 180 (Horizontal)										
(V) Jack 90 (Vertical)										
(P) PCB Board to Plug										
(G) PCB Board to Plug With Ground										
										> For Overmolded with Cable
										(M) Overmolded with Cable
										> For Field Installable
										(A) Field installable (Compled)
										(B) Field installable (Feed-Thru)
Mating Style										
(T) 3 Points Lock Bayonet										
										(S) Screw Thread
Backshell										
> For Receptacle										
(C) Circular										
(S) Square										
										> For Overmolded with Cable
										(L) Straight
										(R) Right Angle
										> For Field Installable
										(L) Straight
Waterproof Types										
(U) Unmated Waterproof										
										(M) Mated Waterproof
Waterproof Rating										
(7) IP 67										
More information										
(000) Phantom										
> For Receptacle										
(001), (002).....										
										> For Overmolded with Cable
										(□)+(■) : Cable Type + Cable Length
										(□) : Cable Type
										(■) : Cable Length
										(A) C5e UTP Solid Cable
										From 1M to 99M
										(B) C5e FTP Solid Cable
										EX. (01) = 1M

[Note] Design and specification are subject to change without notice.

Ordering Information | Double-ended

ALTW waterproof connector to ALTW waterproof connector

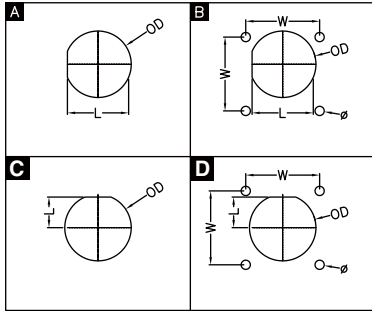
ALTW waterproof connector to Standard RJ connector (None Waterproof)

	1	2	3	4	5	6	7	8	9
Specification (1st End)									
(RCP) RJ45 C Size (Plastic)									
(RCM) RJ45 C Size (Metal)									
(RDP) RJ45 D Size (Plastic)									
(ROP) RJ45 ODVA (Plastic)									
Cat Type & Shielded (1st End)									
(5U) Cat.5e Unshielded									
(5S) Cat.5e Shielded									
Connector (Housing) Gender (1st End)									
(M) Plug									
(F) Jack									
Specification (2nd End)									
> For Waterproof Connectors									
(RCP) RJ45 C Size (Plastic)									
(RCM) RJ45 C Size (Metal)									
(RDP) RJ45 D Size (Plastic)									
(ROP) RJ45 ODVA (Plastic)									
> For Non-Waterproof Plug									
(UPG) Unshielded Plug									
(SPG) Shielded Plug									
Cat Type & Shielded (2nd End)									
> For Waterproof Connectors									
(5U) Cat.5e Unshielded									
(5S) Cat.5e Unshielded									
> For Non-Waterproof Plug									
(06) Gold Plating 6u"									
Connector (Housing) Gender (2nd End)									
(M) Plug									
Mating Style									
(T) 3 Points Lock Bayonet									
(S) Screw Thread									
Backshell									
> For Overmolded with Cable									
(L) Straight									
(R) Right Angle									
More information									
> For Overmolded with Cable									
(□)+(■) : Cable Type + Cable Length									
(□) : Cable Type									
(■) : Cable Length									
(A) C5e UTP Solid Cable	From 1M to 99M								
(B) C5e FTP Solid Cable	EX. (01) = 1M								

Physical Dimension

Receptacle

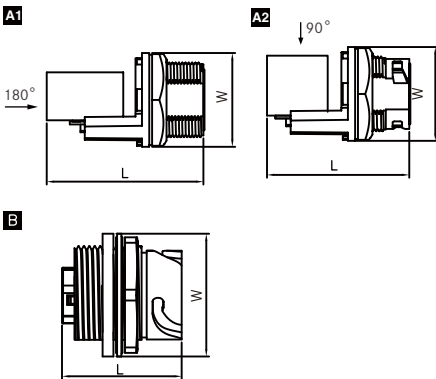
Panel Cut-Out



Type \ Dimension	Type	L / W	OD	φ
Connector Gender (Housing)	Female			
Middle Size (13/16"-28 UNS)	A	19.4	20.8	-
	B	19.4/24.4	20.8	3.3
Large Size (1"20 UNEF)	A	23.6	25.6	-
	B	23.6/24.4	25.6	3.3
ODVA	C	12.4	27.1	-
	D	12.4/25.9	27.1	M3.0*0.5

Unit: mm

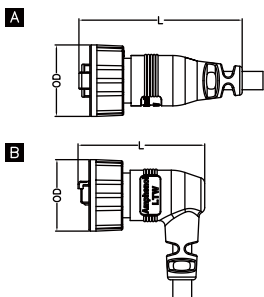
Connector Dimension



Type \ Dimension	Type	Shape	L	W
Connector Gender (Housing)	Female			
Middle Size (13/16"-28 UNS)	A1	Circle	44.0	26.0
		Square		32.0
	A2	Circle	39.9	26.0
		Square		32.0
Large Size (1"20 UNEF)	A1	Circle	44.0	32.0
		Square		32.0
	A2	Circle	39.9	32.0
		Square		32.0
ODVA	B	Circle	33.2	34.0
		Square		36.0

* Choose backshell: Circular (C) or Square Flange (S) | Unit: mm

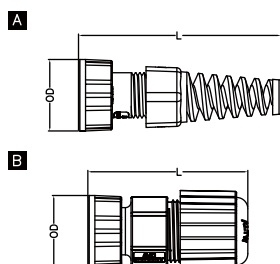
Overmolded with Cable



Type \ Dimension	Type	L		OD	
Connector Gender (Housing)		Female	Male	Female	Male
Middle Size (13/16"-28 UNS)	A	-	58.0	-	25.4
	B	-	45.0	-	25.4
Large Size (1"20 UNEF)	A	-	73.6	-	28.8
	B	-	53.4	-	28.8
ODVA	A	-	79.3	-	31.5

Unit: mm

Field Installable



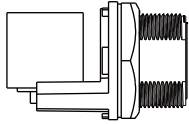
Type \ Dimension	Type	L		OD	
Connector Gender (Housing)		Female	Male	Female	Male
Middle Size (13/16"-28 UNS)	A	-	72.0	-	25.4
	B	-	40.7	-	25.4
Large Size (1"20 UNEF)	A	-	76.7	-	25.4
	B	-	59.7	-	32.0
ODVA	A	-	77.6	-	31.5

Unit: mm

[Note] Design and specification are subject to change without notice.

Product Features

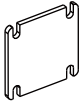
Receptacle



Backshell ⁷

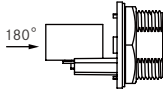


Circular (C)

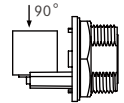


Square (S)

Assembly Style ⁵



Jack 180 (Horizontal) (H)



Jack 90 (Vertical) (V)

Mating Style ⁶

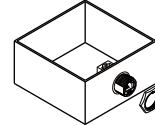


Screw Thread (S)

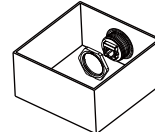


3 Points Lock (T)

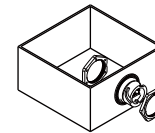
Connector Body (Style) ³



Front Fastened (P)

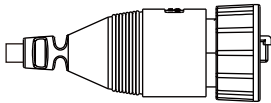


Rear Fastened (R)
(For ODVA only)

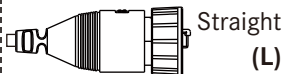


Double Fastened (D)
(For ODVA only)

Overmolded with Cable



Backshell ⁷



Straight (L)



Right Angle (R)

Mating Style ⁶

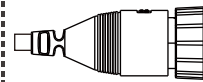


Screw Thread (S)



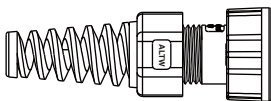
3 Points Lock (T)

Connector Body (Style) ³

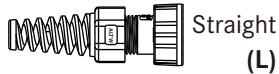


With Strain Relief (A)

Field Installable



Backshell ⁷



Straight (L)

Mating Style ⁶

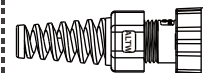


Screw Thread (S)



3 Points Lock (T)

Connector Body (Style) ³

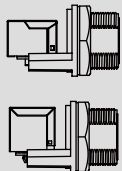
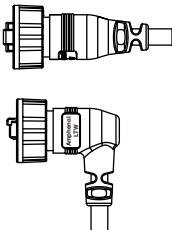
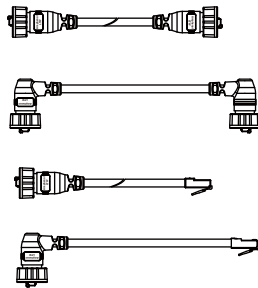
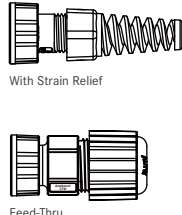


With Strain Relief (A)

[Note] Refer to P8-4 for Ordering Information

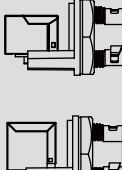
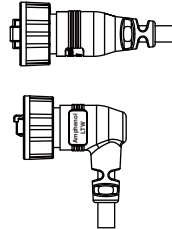
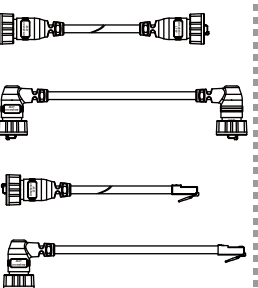
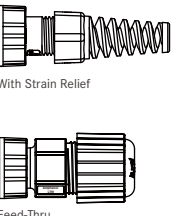
Find Our Standard Products

▾ Middle Size: 13/16"-28UNS > Receptacle and Mating Pair

		<ul style="list-style-type: none"> • Female Connector (Housing) • Female Contacts • Screw Thread • POE 60W Use 	Receptacle	Overmolded with Cable		Field Installable
			 <p>8 Choose unmated (U) or mated (M) waterproof</p>	 <p>2 Choose shielded (5S) or unshielded (5U)</p>		 <p>With Strain Relief</p> <p>Feed-Thru</p>
Cat. 5e		Female Connector (F) Female Contacts (F)	Male Connector (M) Male Contacts (M)	Male Connector (M) Male Contacts (M)	Male Connector (M) Male Contacts (M)	Male Connector (M) Male Contacts (M)
Plastic	Jack 180°	RCP-5SPFFH-SC 8 7001	RCP-5 2 AMMM-SLM7A ^{XX} * RCP-5 2 AMMM-SLM7B ^{XX} * RCP-5 2 AMMM-SRM7A ^{XX} * RCP-5 2 AMMM-SRM7B ^{XX} *	RCP5UM-RCP5UM-SLAX ^{XX} * RCP5UM-RCP5UM-SLB ^{XX} * RCP5UM-RCP5UM-SRAX ^{XX} * RCP5UM-RCP5UM-SRB ^{XX} * RCP5UM-UPG06M-SLAX ^{XX} * RCP5UM-UPG06M-SLB ^{XX} * RCP5UM-UPG06M-SRAX ^{XX} * RCP5UM-UPG06M-SRB ^{XX} *	RCP-00AMMA-SLM7001 RCP-00BMMS-SLM7001	
	Jack 90°	RCP-5SPFFV-SC 8 7001				
Metal	Jack 180°	RCM-5SPFFH-SCU7001	RCM-5SAMMM-SLM7A ^{XX} * RCM-5SAMMM-SLM7B ^{XX} * RCM-5SAMMM-SRM7A ^{XX} * RCM-5SAMMM-SRM7B ^{XX} *			
	Jack 90°	RCM-5SPFFV-SCU7001				

*XX: Choose the cable length from 01-99 m

▾ Middle Size: 13/16"-28UNS > Receptacle and Mating Pair

		<ul style="list-style-type: none"> • Female Connector (Housing) • Female Contacts • 3 Points Lock Bayonet • POE 60W Use 	Receptacle	Overmolded with Cable		Field Installable
			 <p>8 Choose unmated (U) or mated (M) waterproof</p>	 <p>2 Choose shielded (5S) or unshielded (5U)</p>		 <p>With Strain Relief</p> <p>Feed-Thru</p>
Cat. 5e		Female Connector (F) Female Contacts (F)	Male Connector (M) Male Contacts (M)	Male Connector (M) Male Contacts (M)	Male Connector (M) Male Contacts (M)	Male Connector (M) Male Contacts (M)
Plastic	Jack 180°	RCP-5SPFFH-TC 8 7001	RCP-5 2 AMMM-TLM7A ^{XX} * RCP-5 2 AMMM-TLM7B ^{XX} * RCP-5 2 AMMM-TRM7A ^{XX} * RCP-5 2 AMMM-TRM7B ^{XX} *	RCP5UM-RCP5UM-TLAX ^{XX} * RCP5UM-RCP5UM-TLB ^{XX} * RCP5UM-RCP5UM-TRAX ^{XX} * RCP5UM-RCP5UM-TRB ^{XX} * RCP5UM-UPG06M-TLAX ^{XX} * RCP5UM-UPG06M-TLB ^{XX} * RCP5UM-UPG06M-TRAX ^{XX} * RCP5UM-UPG06M-TRB ^{XX} *	RCP-00AMMA-TLM7001 RCP-00BMMS-TLM7001	
	Jack 90°	RCP-5SPFFV-TC 8 7001				

*XX: Choose the cable length from 01-99 m

[Note] Design and specification are subject to change without notice.

▾ Middle Size: 13/16"-28UNS > Receptacle and Mating Pair

		Receptacle			Overmolded with Cable		Field Installable	
		<ul style="list-style-type: none"> Female Connector (Housing) Female Contacts Screw Thread Square Fastened With Screw POE 60W Use 		<ul style="list-style-type: none"> Choose unshielded (5S) or shielded (5U) 		<ul style="list-style-type: none"> With Strain Relief Feed-Thru 		
Cat. 5e		Female Connector (F) Female Contacts (F)	Male Connector (M) Male Contacts (M)	Male Connector (M) Male Contacts (M)	Male Connector (M) Male Contacts (M)	Male Connector (M) Male Contacts (M)	Male Connector (M) Male Contacts (M)	
Plastic	Jack 180°	RCP-5SPFFH-SS 8 7001	RCP-5 2 AMMM-SLM7AXX* RCP-5 2 AMMM-SLM7BXX* RCP-5 2 AMMM-SRM7AXX* RCP-5 2 AMMM-SRM7BXX*	RCP5UM-RCP5UM-SLAXX* RCP5UM-RCP5UM-SLBXX* RCP5UM-RCP5UM-SRAXX* RCP5UM-RCP5UM-SRBXX* RCP5UM-UPG06M-SLAXX* RCP5UM-UPG06M-SLBXX* RCP5UM-UPG06M-SRAXX* RCP5UM-UPG06M-SRBXX*	RCP-00AMMA-SLM7001 RCP-00BMMS-SLM7001			
	Jack 90°	RCP-5SPFFV-SS 8 7001						

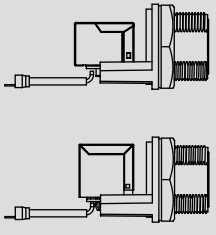
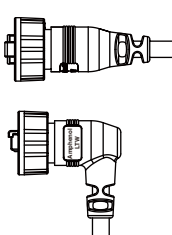
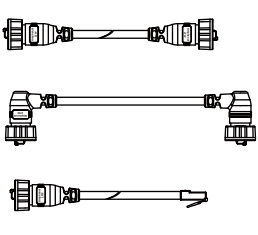
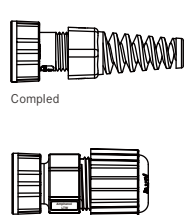
*XX: Choose the cable length from 01-99 m

▾ Middle Size: 13/16"-28UNS > Receptacle and Mating Pair

		Receptacle			Overmolded with Cable		Field Installable	
		<ul style="list-style-type: none"> Female Connector (Housing) Female Contacts Screw Thread Square Fastened With Screw POE 60W Use 		<ul style="list-style-type: none"> Choose unshielded (5S) or shielded (5U) 		<ul style="list-style-type: none"> With Strain Relief Feed-Thru 		
Cat. 5e		Female Connector (F) Female Contacts (F)	Male Connector (M) Male Contacts (M)	Male Connector (M) Male Contacts (M)	Male Connector (M) Male Contacts (M)	Male Connector (M) Male Contacts (M)	Male Connector (M) Male Contacts (M)	
Plastic	Jack 180°	RCP-5SPFFH-TS 8 7001	RCP-5 2 AMMM-TLM7AXX* RCP-5 2 AMMM-TLM7BXX* RCP-5 2 AMMM-TRM7AXX* RCP-5 2 AMMM-TRM7BXX*	RCP5UM-RCP5UM-TLAXX* RCP5UM-RCP5UM-TLBXX* RCP5UM-RCP5UM-TRAXX* RCP5UM-RCP5UM-TRBXX* RCP5UM-UPG06M-TLAXX* RCP5UM-UPG06M-TLBXX* RCP5UM-UPG06M-TRAXX* RCP5UM-UPG06M-TRBXX*	RCP-00AMMA-TLM7001 RCP-00BMMS-TLM7001			
	Jack 90°	RCP-5SPFFV-TS 8 7001						

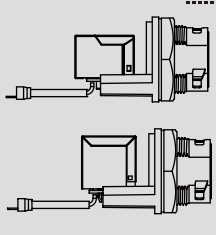
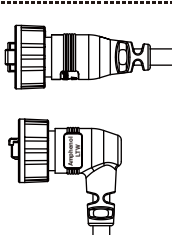
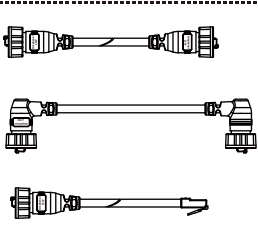
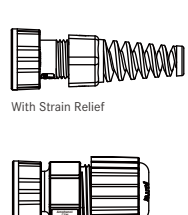
*XX: Choose the cable length from 01-99 m

➤ Middle Size: 13/16"-28UNS > Receptacle and Mating Pair

		Receptacle -----> Overmolded with Cable -----> Field Installable			
		 8 Choose unmated (U) or mated (M) waterproof	 2 Choose shielded (5S) or unshielded (5U)		 Completed Feed-Thru
Cat. 5e		Female Connector (F) Female Contacts (F)	Male Connector (M) Male Contacts (M)	Male Connector (M) Male Contacts (M)	Male Connector (M) Male Contacts (M)
Plastic	Jack 180°	RCP-5SPFFH-SC 8 7002	RCP-5 2 AMMM-SLM7AXX* RCP-5 2 AMMM-SLM7BXX* RCP-5 2 AMMM-SRM7AXX* RCP-5 2 AMMM-SRM7BXX*	RCP5UM-RCP5UM-SLAXX* RCP5UM-RCP5UM-SLBXX* RCP5UM-RCP5UM-SRAXX* RCP5UM-RCP5UM-SRBXX* RCP5UM-UPG06M-SLAXX* RCP5UM-UPG06M-SLBXX* RCP5UM-UPG06M-SRAXX* RCP5UM-UPG06M-SRBXX*	RCP-00AMMA-SLM7001 RCP-00BMMS-SLM7001
	Jack 90°	RCP-5SPFFV-SC 8 7002			
Metal	Jack 180°	RCM-5SPFFH-SC 8 7002	RCM-5SAMMM-SLM7AXX* RCM-5SAMMM-SLM7BXX* RCM-5SAMMM-SRM7AXX* RCM-5SAMMM-SRM7BXX*		
	Jack 90°	RCM-5SPFFV-SC 8 7002			

*XX: Choose the cable length from 01-99 m

➤ Middle Size: 13/16"-28UNS > Receptacle and Mating Pair

		Receptacle -----> Overmolded with Cable -----> Field Installable			
		 8 Choose unmated (U) or mated (M) waterproof	 2 Choose shielded (5S) or unshielded (5U)		 With Strain Relief Feed-Thru
Cat. 5e		Female Connector (F) Female Contacts (F)	Male Connector (M) Male Contacts (M)	Male Connector (M) Male Contacts (M)	Male Connector (M) Male Contacts (M)
Plastic	Jack 180°	RCP-5SPFFH-TC 8 7002	RCP-5 2 AMMM-TLM7AXX* RCP-5 2 AMMM-TLM7BXX* RCP-5 2 AMMM-TRM7AXX* RCP-5 2 AMMM-TRM7BXX*	RCP5UM-RCP5UM-TLAXX* RCP5UM-RCP5UM-TLBXX* RCP5UM-RCP5UM-TRAXX* RCP5UM-RCP5UM-TRBXX* RCP5UM-UPG06M-TLAXX* RCP5UM-UPG06M-TLBXX* RCP5UM-UPG06M-TRAXX* RCP5UM-UPG06M-TRBXX*	RCP-00AMMA-TLM7001 RCP-00BMMS-TLM7001
	Jack 90°	RCP-5SPFFV-TC 8 7002			

*XX: Choose the cable length from 01-99 m

[Note] Design and specification are subject to change without notice.

RJ Connector | Find Our Standard Products

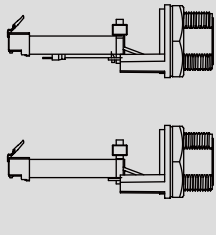
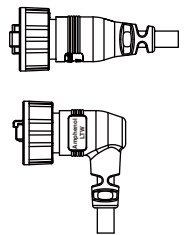
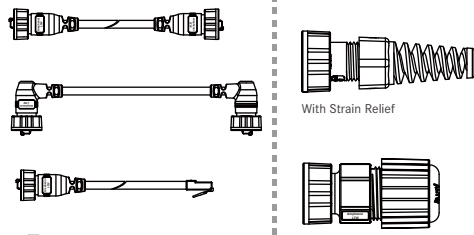
Middle Size 13-16"-28UNS

Receptacle and Mating Pair
Screw Thread | 3 Points Lock Bayonet

IP 67 9

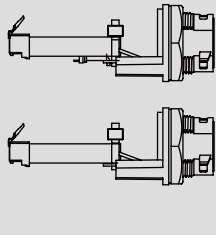
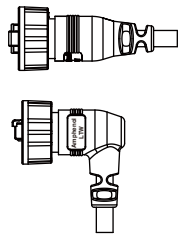
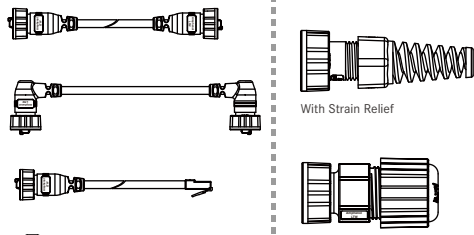
Receptacle | Unmated & Mated
Overmolded with Cable | Mated
Field Installable | Mated

▾ Middle Size: 13/16"-28UNS > Receptacle and Mating Pair

<ul style="list-style-type: none"> Female Connector (Housing) Female Contacts Screw Thread With Plug POE 60W Use 		Receptacle -----> Overmolded with Cable -----> Field Installable			
		 <p>8 Choose unmated (U) or mated (M) waterproof</p>	 <p>2 Choose shielded (5S) or unshielded (5U)</p>	 <p>With Strain Relief</p> <p>Feed-Thru</p>	
Cat. 5e	Female Connector (F) Female Contacts (F)	Male Connector (M) Male Contacts (M)	Male Connector (M) Male Contacts (M)	Male Connector (M) Male Contacts (M)	
Plastic	With Ground	RCP-5SPFFG-SC 8 7BXX*	RCP-5 2 AMMM-SLM7AXX** RCP-5 2 AMMM-SLM7BXX**	RCP5UM-RCP5UM-SLAXX** RCP5UM-RCP5UM-SLBXX** RCP5UM-RCP5UM-SRAXX** RCP5UM-RCP5UM-SRBXX**	RCP-00AMMA-SLM7001 RCP-00BMMS-SLM7001
	Without Ground	RCP-5SPFFP-SC 8 7BXX*	RCP-5 2 AMMM-SRM7AXX** RCP-5 2 AMMM-SRM7BXX**	RCP5UM-UPG06M-SLAXX** RCP5UM-UPG06M-SLBXX** RCP5UM-UPG06M-SRAXX** RCP5UM-UPG06M-SRBXX**	
Metal	With Ground	RCM-5SPFFG-SC 8 7BXX*	RCM-5SAMMM-SLM7AAX** RCM-5SAMMM-SLM7BXX** RCM-5SAMMM-SRM7AAX** RCM-5SAMMM-SRM7BXX**		
	Without Ground	RCM-5SPFFP-SC 8 7BXX*			

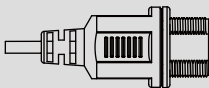
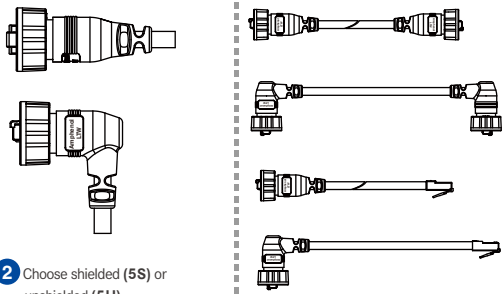
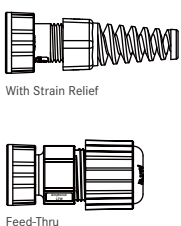
*XX: Choose the cable length from 0.1-0.3 m
**XX: Choose the cable length from 01-99 m

▾ Middle Size: 13/16"-28UNS > Receptacle and Mating Pair

<ul style="list-style-type: none"> Female Connector (Housing) Female Contacts 3 Points Lock Bayonet With Plug POE 60W Use 		Receptacle -----> Overmolded with Cable -----> Field Installable			
		 <p>8 Choose unmated (U) or mated (M) waterproof</p>	 <p>2 Choose shielded (5S) or unshielded (5U)</p>	 <p>With Strain Relief</p> <p>Feed-Thru</p>	
Cat. 5e	Female Connector (F) Female Contacts (F)	Male Connector (M) Male Contacts (M)	Male Connector (M) Male Contacts (M)	Male Connector (M) Male Contacts (M)	
Plastic	With Ground	RCP-5SPFFG-TC 8 7BXX*	RCP-5 2 AMMM-TLM7AAX** RCP-5 2 AMMM-TLM7BXX** RCP-5 2 AMMM-TRM7AAX** RCP-5 2 AMMM-TRM7BXX**	RCP5UM-RCP5UM-TLAXX** RCP5UM-RCP5UM-TLBXX** RCP5UM-RCP5UM-TRAXX** RCP5UM-RCP5UM-TRBXX**	RCP-00AMMA-TLM7001 RCP-00BMMS-TLM7001
	Without Ground	RCP-5SPFFP-TC 8 7BXX*		RCP5UM-UPG06M-TLAXX** RCP5UM-UPG06M-TLBXX** RCP5UM-UPG06M-TRAXX** RCP5UM-UPG06M-TRBXX**	

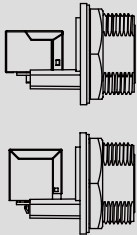
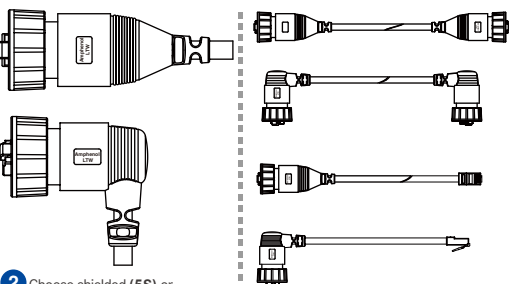
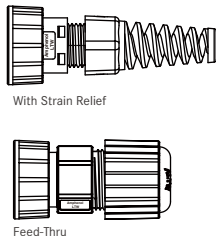
*XX: Choose the cable length from 0.1-0.3 m
**XX: Choose the cable length from 01-99 m

▾ Middle Size: 13/16"-28UNS > Overmolded With Cable

<ul style="list-style-type: none"> • Female Connector (Housing) • Female Contacts • Screw Thread 		<p>Receptacle</p> 	<p>Overmolded with Cable</p>  <p>2 Choose shielded (5S) or unshielded (5U)</p>		<p>Field Installable</p>  <p>With Strain Relief</p> <p>Feed-Thru</p>
Cat. 5e		Female Connector (F) Female Contacts (F)	Male Connector (M) Male Contacts (M)	Male Connector (M) Male Contacts (M)	Male Connector (M) Male Contacts (M)
Plastic	Overmolded With Cable	RCP-5SAFFM-SLM7AXX* RCP-5SAFFM-SLM7BXX*	RCP-5 2 AMMM-SLM7AXX* RCP-5 2 AMMM-SLM7BXX* RCP-5 2 AMMM-SRM7AXX* RCP-5 2 AMMM-SRM7BXX*	RCP5UM-RCP5UM-SLAXX* RCP5UM-RCP5UM-SLBXX* RCP5UM-RCP5UM-SRAXX* RCP5UM-RCP5UM-SRBXX* RCP5UM-UPG06M-SLAXX* RCP5UM-UPG06M-SLBXX* RCP5UM-UPG06M-SRAXX* RCP5UM-UPG06M-SRBXX*	RCP-00AMMA-SLM7001 RCP-00BMMS-SLM7001

*XX: Choose the cable length from 01-99 m

▾ Large Size: 1"-20UNEF > Receptacle and Mating Pair

<ul style="list-style-type: none"> • Female Connector (Housing) • Female Contacts • Screw Thread • POE 60W Use 		<p>Receptacle</p>  <p>8 Choose unmated (U) or mated (M) waterproof</p>	<p>Overmolded with Cable</p>  <p>2 Choose shielded (5S) or unshielded (5U)</p>		<p>Field Installable</p>  <p>With Strain Relief</p> <p>Feed-Thru</p>
Cat. 5e		Female Connector (F) Female Contacts (F)	Male Connector (M) Male Contacts (M)	Male Connector (M) Male Contacts (M)	Male Connector (M) Male Contacts (M)
Plastic	Jack 180°	RDP-5SPFFH-SC 8 7001 RDP-5SPFFH-SS 8 7001	RDP-5 2 AMMM-SLM7AXX* RDP-5 2 AMMM-SLM7BXX* RDP-5 2 AMMM-SRM7AXX* RDP-5 2 AMMM-SRM7BXX*	RDP5UM-RDP5UM-SLAXX* RDP5UM-RDP5UM-SLBXX* RDP5UM-RDP5UM-SRAXX* RDP5UM-RDP5UM-SRBXX* RDP5UM-UPG06M-SLAXX* RDP5UM-UPG06M-SLBXX* RDP5UM-UPG06M-SRAXX* RDP5UM-UPG06M-SRBXX*	RDP-00AMMA-SLM7001 RDP-00BMMS-SLM7001
	Jack 90°	RDP-5SPFFV-SC 8 7001 RDP-5SPFFV-SS 8 7001			

*XX: Choose the cable length from 01-99 m

[Note] Design and specification are subject to change without notice.

Large Size 1"-20 UNEF

Receptacle and Mating Pair
Screw Thread | 3 Points Lock Bayonet

Receptacle | Unmated & Mated
Overmolded with Cable | Mated
Field Installable | Mated

Large Size: 1"-20UNEF > Receptacle and Mating Pair

<ul style="list-style-type: none"> • Female Connector (Housing) • Female Contacts • 3 Points Lock Bayonet • POE 60W Use 	<p>Receptacle → Overmolded with Cable → Field Installable</p>				
	<p>8 Choose unmated (U) or mated (M) waterproof</p>	<p>2 Choose shielded (5S) or unshielded (5U)</p>	<p>With Strain Relief</p> <p>Feed-Thru</p>		
Cat. 5e	Female Connector (F) Female Contacts (F)	Male Connector (M) Male Contacts (M)	Male Connector (M) Male Contacts (M)	Male Connector (M) Male Contacts (M)	
Plastic	Jack 180°	RDP-5SPFFH-TC 8 7001 RDP-5SPFFH-TS 8 7001	RDP-5 2 AMMM-TLM7A ^{XX} * RDP-5 2 AMMM-TLM7B ^{XX} * RDP-5 2 AMMM-TRM7A ^{XX} * RDP-5 2 AMMM-TRM7B ^{XX} *	RDP5UM-RDP5UM-TL ^{AXX} * RDP5UM-RDP5UM-TL ^{BXX} * RDP5UM-RDP5UM-TR ^{AXX} * RDP5UM-RDP5UM-TR ^{BXX} * RDP5UM-UPG06M-TL ^{AXX} * RDP5UM-UPG06M-TL ^{BXX} * RDP5UM-UPG06M-TR ^{AXX} * RDP5UM-UPG06M-TR ^{BXX} *	RDP-00AMMA-TLM7001 RDP-00BMMS-TLM7001
	Jack 90°	RDP-5SPFFV-TC 8 7001 RDP-5SPFFV-TS 8 7001	RDP-5 2 AMMM-TRM7A ^{XX} * RDP-5 2 AMMM-TRM7B ^{XX} *	RDP5UM-UPG06M-TL ^{AXX} * RDP5UM-UPG06M-TL ^{BXX} * RDP5UM-UPG06M-TR ^{AXX} * RDP5UM-UPG06M-TR ^{BXX} *	

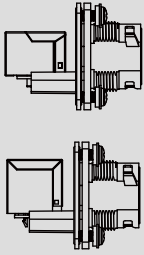
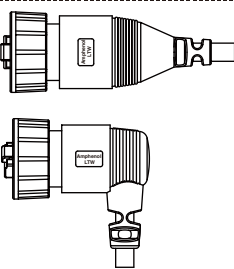
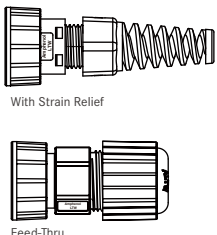
*XX: Choose the cable length from 01-99 m

Large Size: 1"-20UNEF > Receptacle and Mating Pair

<ul style="list-style-type: none"> • Female Connector (Housing) • Female Contacts • Screw Thread • Square Fastened with Screw • POE 60W Use 	<p>Receptacle → Overmolded with Cable → Field Installable</p>				
	<p>8 Choose unmated (U) or mated (M) waterproof</p>	<p>2 Choose shielded (5S) or unshielded (5U)</p>	<p>With Strain Relief</p> <p>Feed-Thru</p>		
Cat. 5e	Female Connector (F) Female Contacts (F)	Male Connector (M) Male Contacts (M)	Male Connector (M) Male Contacts (M)	Male Connector (M) Male Contacts (M)	
Plastic	Jack 180°	RDP-5SPFFH-SS 8 7001	RDP-5 2 AMMM-SLM7A ^{XX} * RDP-5 2 AMMM-SLM7B ^{XX} * RDP-5 2 AMMM-SRM7A ^{XX} * RDP-5 2 AMMM-SRM7B ^{XX} *	RDP5UM-RDP5UM-SL ^{AXX} * RDP5UM-RDP5UM-SL ^{BXX} * RDP5UM-RDP5UM-SR ^{AXX} * RDP5UM-RDP5UM-SR ^{BXX} * RDP5UM-UPG06M-SL ^{AXX} * RDP5UM-UPG06M-SL ^{BXX} * RDP5UM-UPG06M-SR ^{AXX} * RDP5UM-UPG06M-SR ^{BXX} *	RDP-00AMMA-SLM7001 RDP-00BMMS-SLM7001
	Jack 90°	RDP-5SPFFV-SS 8 7001	RDP-5 2 AMMM-SRM7A ^{XX} * RDP-5 2 AMMM-SRM7B ^{XX} *	RDP5UM-UPG06M-SL ^{AXX} * RDP5UM-UPG06M-SL ^{BXX} * RDP5UM-UPG06M-SR ^{AXX} * RDP5UM-UPG06M-SR ^{BXX} *	

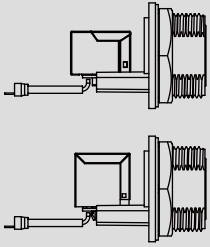
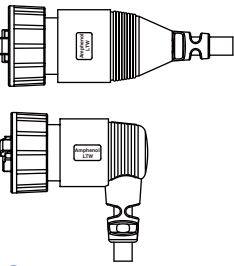
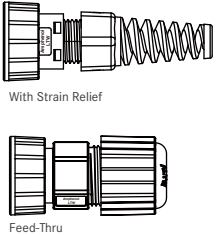
*XX: Choose the cable length from 01-99 m

Large Size: 1"-20UNEF > Receptacle and Mating Pair

<ul style="list-style-type: none"> Female Connector (Housing) Female Contacts 3 Points Lock Bayonet Square Fastened with Screw POE 60W Use 		<p>Receptacle → Overmolded with Cable → Field Installable</p>			
		 <p>8 Choose unmated (U) or mated (M) waterproof</p>	 <p>2 Choose shielded (5S) or unshielded (5U)</p>	 <p>With Strain Relief</p> <p>Feed-Thru</p>	
Cat. 5e	Female Connector (F) Female Contacts (F)	Male Connector (M) Male Contacts (M)	Male Connector (M) Male Contacts (M)	Male Connector (M) Male Contacts (M)	
Plastic	Jack 180°	RDP-5SPFFH-TS 8 7001	RDP-5 2 AMMM-TLM7AXX* RDP-5 2 AMMM-TLM7BXX* RDP-5 2 AMMM-TRM7AXX* RDP-5 2 AMMM-TRM7BXX*	RDP5UM-RDP5UM-TLAXX* RDP5UM-RDP5UM-TLBXX* RDP5UM-RDP5UM-TRAXX* RDP5UM-RDP5UM-TRBXX* RDP5UM-UPG06M-TLAXX* RDP5UM-UPG06M-TLBXX* RDP5UM-UPG06M-TRAXX* RDP5UM-UPG06M-TRBXX*	RDP-00AMMA-TLM7001 RDP-00BMMS-TLM7001
	Jack 90°	RDP-5SPFFV-TS 8 7001	RDP-5 2 AMMM-TRM7AXX* RDP-5 2 AMMM-TRM7BXX*		

*XX: Choose the cable length from 01-99 m

Large Size: 1"-20UNEF > Receptacle and Mating Pair

<ul style="list-style-type: none"> Female Connector (Housing) Female Contacts Screw Thread With Ground POE 60W Use 		<p>Receptacle → Overmolded with Cable → Field Installable</p>			
		 <p>8 Choose unmated (U) or mated (M) waterproof</p>	 <p>2 Choose shielded (5S) or unshielded (5U)</p>	 <p>With Strain Relief</p> <p>Feed-Thru</p>	
Cat. 5e	Female Connector (F) Female Contacts (F)	Male Connector (M) Male Contacts (M)	Male Connector (M) Male Contacts (M)	Male Connector (M) Male Contacts (M)	
Plastic	Jack 180°	RDP-5SPFFH-SC 8 7002	RDP-5 2 AMMM-SLM7AXX* RDP-5 2 AMMM-SLM7BXX* RDP-5 2 AMMM-SRM7AXX* RDP-5 2 AMMM-SRM7BXX*	RDP5UM-RDP5UM-SLAXX* RDP5UM-RDP5UM-SLBXX* RDP5UM-RDP5UM-SRAXX* RDP5UM-RDP5UM-SRBXX* RDP5UM-UPG06M-SLAXX* RDP5UM-UPG06M-SLBXX* RDP5UM-UPG06M-SRAXX* RDP5UM-UPG06M-SRBXX*	RDP-00AMMA-SLM7001 RDP-00BMMS-SLM7001
	Jack 90°	RDP-5SPFFV-SC 8 7002	RDP-5 2 AMMM-SRM7AXX* RDP-5 2 AMMM-SRM7BXX*		

*XX: Choose the cable length from 01-99 m

[Note] Design and specification are subject to change without notice.

Large Size: 1"-20UNEF > Receptacle and Mating Pair

<ul style="list-style-type: none"> • Female Connector (Housing) • Female Contacts • 3 Points Lock Bayonet • With Ground • POE 60W Use 		<p>Receptacle</p> <p>8 Choose unmated (U) or mated (M) waterproof</p>	<p>Overmolded with Cable</p> <p>2 Choose shielded (5S) or unshielded (5U)</p>	<p>Field Installable</p> <p>With Strain Relief</p> <p>Feed-Thru</p>	
Cat. 5e		Female Connector (F) Female Contacts (F)	Male Connector (M) Male Contacts (M)	Male Connector (M) Male Contacts (M)	Male Connector (M) Male Contacts (M)
Plastic	Jack 180°	RDP-5SPFFH-TC 8 7002	RDP-5 2 AMMM-TLM7A ^{XX} *	RDP5UM-RDP5UM-TLAX ^{XX} *	RDP-00AMMA-TLM7001 RDP-00BMMS-TLM7001
	Jack 90°	RDP-5SPFFV-TC 8 7002	RDP-5 2 AMMM-TLM7B ^{XX} *	RDP5UM-RDP5UM-TLBX ^{XX} *	
		RDP-5 2 AMMM-TRM7A ^{XX} *	RDP5UM-RDP5UM-TRAX ^{XX} *	RDP5UM-RDP5UM-TRBX ^{XX} *	
		RDP-5 2 AMMM-TRM7B ^{XX} *	RDP5UM-UPG06M-TLAX ^{XX} *	RDP5UM-UPG06M-TLBX ^{XX} *	
			RDP5UM-UPG06M-TRAX ^{XX} *	RDP5UM-UPG06M-TRBX ^{XX} *	

*XX: Choose the cable length from 01-99 m

Large Size: 1"-20UNEF > Receptacle and Mating Pair

<ul style="list-style-type: none"> • Female Connector (Housing) • Female Contacts • Screw Thread • With Plug • POE 60W Use 		<p>Receptacle</p> <p>8 Choose unmated (U) or mated (M) waterproof</p>	<p>Overmolded with Cable</p> <p>2 Choose shielded (5S) or unshielded (5U)</p>	<p>Field Installable</p> <p>With Strain Relief</p> <p>Feed-Thru</p>	
Cat. 5e		Female Connector (F) Female Contacts (F)	Male Connector (M) Male Contacts (M)	Male Connector (M) Male Contacts (M)	Male Connector (M) Male Contacts (M)
Plastic	Jack 180°	RDP-5SPFFH-SC 8 7B ^{XX} *	RDP-5 2 AMMM-SLM7A ^{XX} *	RDP5UM-RDP5UM-SLAX ^{XX} **	RDP-00AMMA-SLM7001 RDP-00BMMS-SLM7001
	Jack 90°	RDP-5SPFFV-SC 8 7B ^{XX} *	RDP-5 2 AMMM-SLM7B ^{XX} *	RDP5UM-RDP5UM-SLBX ^{XX} **	
			RDP-5 2 AMMM-SRM7A ^{XX} *	RDP5UM-RDP5UM-SRAX ^{XX} **	
			RDP-5 2 AMMM-SRM7B ^{XX} *	RDP5UM-RDP5UM-SRBX ^{XX} **	
				RDP5UM-UPG06M-SLAX ^{XX} **	
				RDP5UM-UPG06M-SLBX ^{XX} **	
				RDP5UM-UPG06M-SRAX ^{XX} **	
				RDP5UM-UPG06M-SRBX ^{XX} **	

*XX: Choose the cable length from 0.1-0.3 m

**XX: Choose the cable length from 01-99 m

Large Size: 1"-20UNEF > Receptacle and Mating Pair

<ul style="list-style-type: none"> Female Connector (Housing) Female Contacts 3 Points Lock Bayonet With Plug POE 60W Use 		<p>Receptacle</p>	<p>Overmolded with Cable</p>	<p>Field Installable</p>
		<p>8 Choose unmated (U) or mated (M) waterproof</p>	<p>2 Choose shielded (5S) or unshielded (5U)</p>	
Cat. 5e		Female Connector (F) Female Contacts (F)	Male Connector (M) Male Contacts (M)	Male Connector (M) Male Contacts (M)
Plastic	With Ground	RDP-5SPFFG-TC 8 7BXX*	RDP-5 2 AMMM-TLM7AXX** RDP-5 2 AMMM-TLM7BXX** RDP-5 2 AMMM-TRM7AXX** RDP-5 2 AMMM-TRM7BXX**	RDP5UM-RDP5UM-TLAXX** RDP5UM-RDP5UM-TLBXX** RDP5UM-RDP5UM-TRAXX** RDP5UM-RDP5UM-TRBXX** RDP5UM-UPG06M-TLAXX** RDP5UM-UPG06M-TLBXX** RDP5UM-UPG06M-TRAXX** RDP5UM-UPG06M-TRBXX**
	Without Ground	RDP-5SPFFP-TC 8 7BXX*		RDP-00AMMA-TLM7001 RDP-00BMMS-TLM7001

*XX: Choose the cable length from 0.1-0.3 m

**XX: Choose the cable length from 01-99 m

Large Size: 1"-20UNEF > Receptacle and Mating Pair

<ul style="list-style-type: none"> Shielded RJ45 2 Points Lock Bayonet PCB Type POE 60W Use 		<p>Receptacle</p>	<p>Overmolded with Cable</p>	<p>Field Installable</p>
Cat. 5e		Female Connector (F) Female Contacts (F)	Male Connector (M) Male Contacts (M)	Male Connector (M) Male Contacts (M)
Plastic	Jack 180°	RJS-5EPFFP-LC7002	RJ-5EAMMM-LL7AXX* RJ-5EAMMM-LL7BXX*	RJ-00BMMA-LL7001 RJ-00AMMA-LL7001

*XX: Choose the cable length from 01-99 m

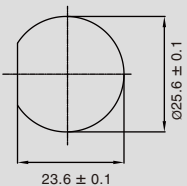
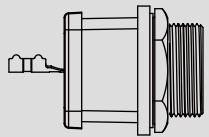
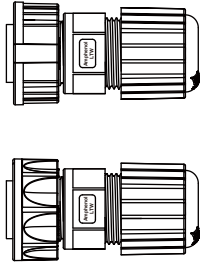
[Note] Design and specification are subject to change without notice.

Large Size 1"-20 UNEF

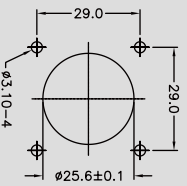
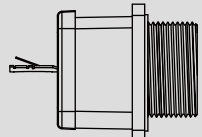
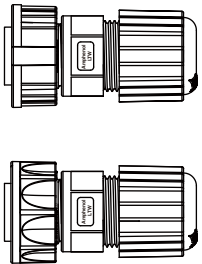
Receptacle and Mating Pair
Screw Thread

Receptacle | Unmated & Mated
Overmolded with Cable | Mated
Field Installable | Mated

∟ **Large Size: 1"-20UNEF > Receptacle and Mating Pair**

<ul style="list-style-type: none"> • Shielded RJ45 • Front Fastened • Screw Thread 		<p>Receptacle</p> 	<p>Field Installable</p>  <p>Feed-Thru</p>
Cat. 5e		Female Connector (F) Female Contacts (F)	Male Connector (M) Male Contacts (M)
Plastic	Jack 180°	RJS-06PFFD-SC7001	RJ-00BMMA-SL7001 RJ-00BMMA-SL7003

∟ **Large Size: 1"-20UNEF > Receptacle and Mating Pair**

<ul style="list-style-type: none"> • Shielded RJ45 • Front Fastened • Screw Thread • Square Fastened with Screw 		<p>Receptacle</p> 	<p>Field Installable</p>  <p>Feed-Thru</p>
Cat. 5e		Female Connector (F) Female Contacts (F)	Male Connector (M) Male Contacts (M)
Plastic	Jack 180°	RJS-06PFFD-SS7001	RJ-00BMMA-SL7001 RJ-00BMMA-SL7003

ODVA > Receptacle and Mating Pair

<ul style="list-style-type: none"> • Female Connector (Housing) • Female Contacts • 3 Points Lock Bayonet • Ethernet/IP RJ45 standards • POE 60W Use 		<p>Receptacle -----> Overmolded with Cable</p>		
		Female Connector (F) Female Contacts (F)	Male Connector (M) Male Contacts (M)	Male Connector (M) Male Contacts (M)
Plastic	Jack 180°	ROP-5SDFFH-TCM7001	ROP-5SAMMM-TLM7A ^{XX} * ROP-5SAMMM-TLM7B ^{XX} *	ROP-00AMMA-TLM7001

*XX: Choose the cable length from 01-99 m

ODVA > Receptacle and Mating Pair

<ul style="list-style-type: none"> • Female Connector (Housing) • Female Contacts • 3 Points Lock Bayonet • Ethernet/IP RJ45 standards • Square Fastened With Screw • POE 60W Use 		<p>Receptacle -----> Overmolded with Cable</p>		
		Female Connector (F) Female Contacts (F)	Male Connector (M) Male Contacts (M)	Male Connector (M) Male Contacts (M)
Plastic	Jack 180°	ROP-5SDFFH-TS ⁸ 7001	ROP-5SAMMM-TLM7A ^{XX} * ROP-5SAMMM-TLM7B ^{XX} *	ROP-00AMMA-TLM7001

⁸ Choose unmated (U) or mated (M) waterproof

*XX: Choose the cable length from 01-99 m

ODVA > Receptacle and Mating Pair

<ul style="list-style-type: none"> • Female Connector (Housing) • Female Contacts • 3 Points Lock Bayonet • Ethernet/IP RJ45 standards • POE 60W Use 		<p>Receptacle -----> Overmolded with Cable</p>		
		Female Connector (F) Female Contacts (F)	Male Connector (M) Male Contacts (M)	Male Connector (M) Male Contacts (M)
Plastic	Jack 180°	ROP-5SPFFH-TC ⁸ 7001	ROP-5SAMMM-TLM7A ^{XX} * ROP-5SAMMM-TLM7B ^{XX} *	ROP-00AMMA-TLM7001

⁸ Choose unmated (U) or mated (M) waterproof

*XX: Choose the cable length from 01-99 m

∟ ODVA > Receptacle and Mating Pair

<ul style="list-style-type: none"> • Female Connector (Housing) • Female Contacts • 3 Points Lock Bayonet • Ethernet/IP RJ45 standards • Square Fastened With Screw • POE 60W Use 	<p>Receptacle → Overmolded with Cable</p>		<p>8 Choose unmated (U) or mated (M) waterproof</p>
	<p>Cat. 5e</p> <p>Female Connector (F) Female Contacts (F)</p>	<p>Male Connector (M) Male Contacts (M)</p>	<p>Male Connector (M) Male Contacts (M)</p>
<p>Plastic</p> <p>Jack 180°</p>	<p>ROP-5SRFFH-TS 8 7001</p>	<p>ROP-5SAMMM-TLM7AXX*</p> <p>ROP-5SAMMM-TLM7BXX*</p>	<p>ROP-00AMMA-TLM7001</p>

*XX: Choose the cable length from 01-99 m

∟ ODVA > Receptacle and Mating Pair

<ul style="list-style-type: none"> • Female Connector (Housing) • Female Contacts • 3 Points Lock Bayonet • Ethernet/IP RJ45 standards • POE 60W Use 	<p>Receptacle → Overmolded with Cable</p>		<p>8 Choose unmated (U) or mated (M) waterproof</p>
	<p>Cat. 5e</p> <p>Female Connector (F) Female Contacts (F)</p>	<p>Male Connector (M) Male Contacts (M)</p>	<p>Male Connector (M) Male Contacts (M)</p>
<p>Plastic</p> <p>Jack 180°</p>	<p>ROP-5SRFFH-TC 8 7001</p>	<p>ROP-5SAMMM-TLM7AXX*</p> <p>ROP-5SAMMM-TLM7BXX*</p>	<p>ROP-00AMMA-TLM7001</p>

*XX: Choose the cable length from 01-99 m

∟ I Adaptor

<ul style="list-style-type: none"> • Shielded RJ45 • Front Fastened • Screw Thread • Backshell: Circular • Panel Thickness Max: 3.5mm • IP67 	<p>Receptacle → Overmolded with Cable</p>		
	<p>Type</p>	<p>Type 1</p>	<p>Type 2</p>
<p>Part Number</p>	<p>RDP-00DFFH-SCU7001</p>	<p>RDP-00DFFA-SLM7001</p>	<p>RDP-00BFFA-SLM7001</p>

SSL Connector

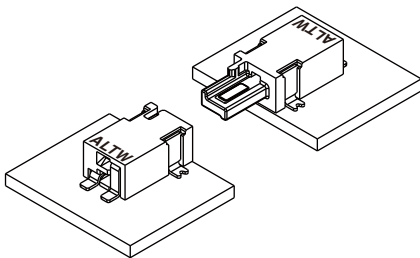


Range Overview

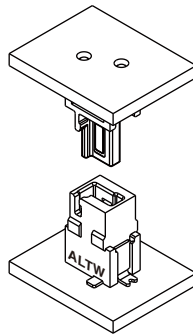
SSL 1.1

Board to Board

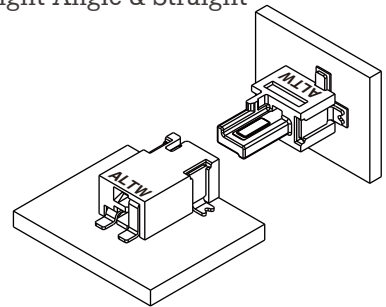
Right Angle



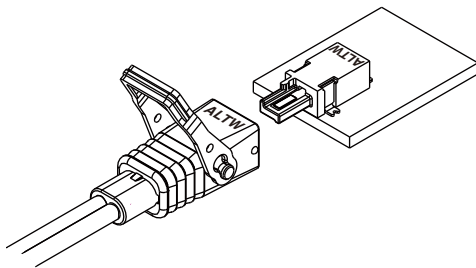
Straight



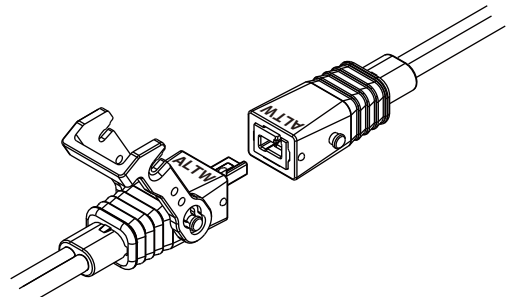
Right Angle & Straight



Board to Wire

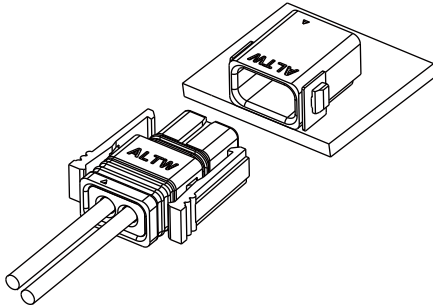


Wire to Wire

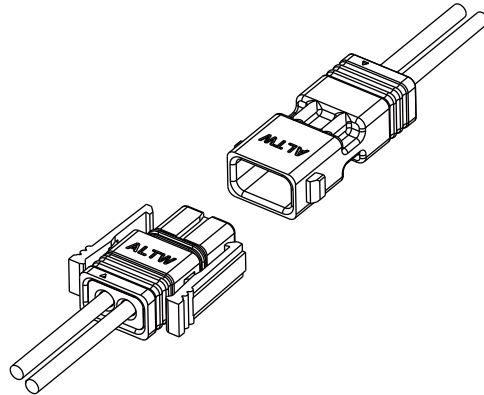


SSL 1.2

Wire to Board

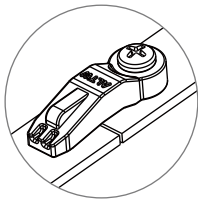


Wire to Wire



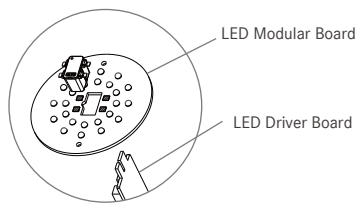
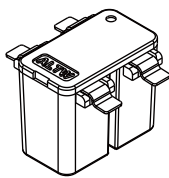
SSL 1.3 The Bridge

Jumper



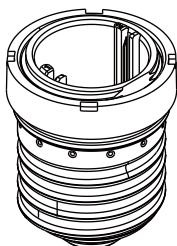
SSL 2.1 Inverted Thru Board

Receptacle



SSL 2.3 EZ-B for E26/27 Bulb

Screw Base

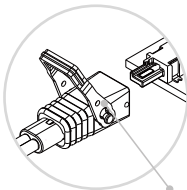
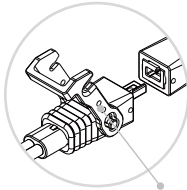


【Note】 Design and specification are subject to change without notice.

Specification | SSL 1.1

Identifications	SSL 1.1 DC Connector
Description	Board to Board Board to Wire Wire to Wire
Current Rating / Data	3A per pin (2, 4 & 6 pins available)
Voltage Rating	Max100 VAC / VDC
Material	Contact: Copper Alloy, Tin over Nickel Housing: Thermoplastic, UL 94V-0 Rated Hood: Thermoplastic, UL 94V-0 Rated Lock: Nylon (PA66), UL 94V-0 Rated SR: PP, UL 94V-0 Rated. UL recognized wire & flat cable available
Temperature Range	PCB Mount: -40°C ~ +105°C Wire Assemblies: -40°C ~ +100°C
Contact Resistance	≤ 20m Ω
Insulation Resistance	≥ 1000m Ω at 250VDC
Durability	100 cycles
Breakdown Voltage	1200 V AC
More to know	UL1977 / cUL / CSA C22.2

Ordering Information | SSL 1.1

1	2	3	4	5	6	7	8
Connector Series (11) SSL 1.1 None Waterproof Series							
Connector (Housing) Gender (J) Jack (P) Plug							
Number of Contacts 2,4, 6 contacts EX. (2) = 2 Contacts							
Connector Type > For PCB Mount Type (A) SMT Board Straight with Post (C) SMT Board Right Angle with Post (D) SMT Board Right Angle without Post > For Wire Assembly (L) Wire Assembly, Straight, With SR							
Wires Assembly Options > For PCB Mount Type (00) For PCB Mount Type > For Wire Assembly (2J) 2-End Jack Connector (2P) 2-End Plug Connector (JP) End 1: Jack, End 2: Plug, (JO) End 1: Jack, End 2: Open (PO) End 1: Plug, End 2: Open							
Lock Option (O) None (Without Lock) (B) W2B Lock in End 1 (W) W2W Lock in End 1 (D) With Two W2B Lock (T) With Two W2W Lock (S) W2B Lock in End 1, W2W Lock in End 2							
 <p>Wire to Board Lock (W2B Lock)</p>				 <p>Wire to Wire Lock (W2W Lock)</p>			
Wire Size > For PCB Mount Type (00) Applicable for SMT Board > For Wire Assembly (22) 22 AWG							

Wire Assembly / Wires Type

> For PCB Mount Type
 (001), (002).....
 Without Wire : Different Versions

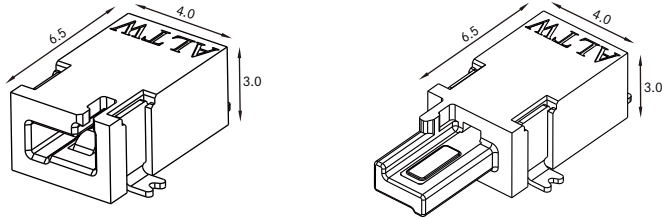
> For Wire Assembly
 (□)+(■) : Wire Type + Length
 EX. (A01) = Wire + 10cm
 (□) : Wire Type
 (A) UL recognized wire
 (D) UL recognized flat cable
 (■) : Length
 From 100mm~9900mm
 EX. (01) = 100mm, (02) = 200mm, (03) = 300mm
 *Every 100mm as per extension

[Note] Design and specification are subject to change without notice.

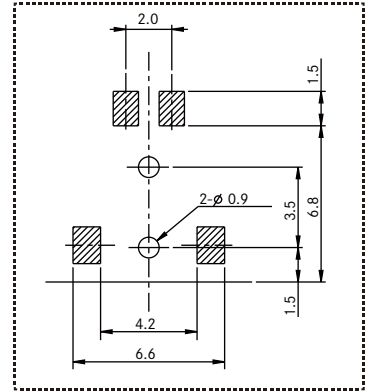
Physical Dimension | SSL 1.1

▾ PCB Mount > Right Angle

>> 2P

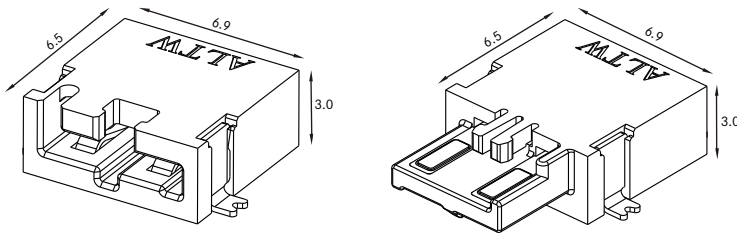


Recommended PCB Layout

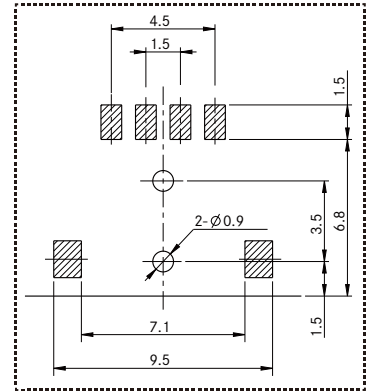


Unit: mm

>> 4P

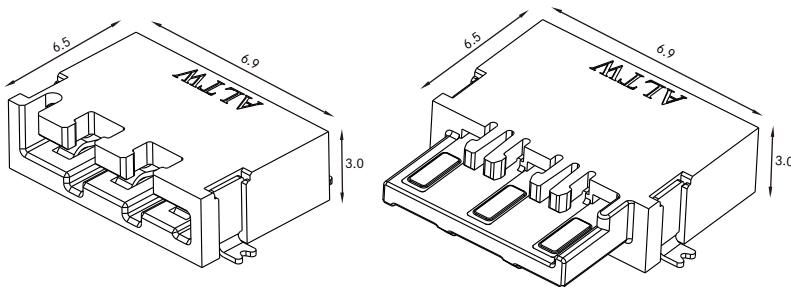


Recommended PCB Layout

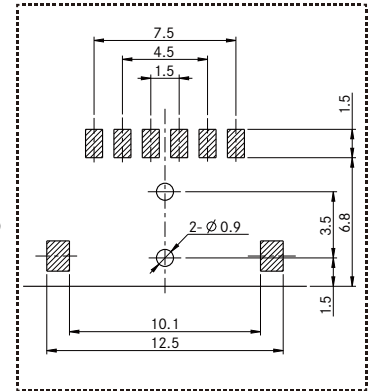


Unit: mm

>> 6P



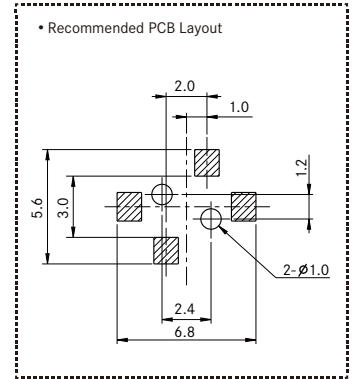
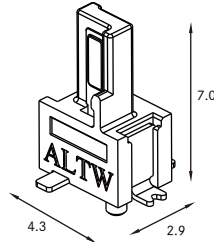
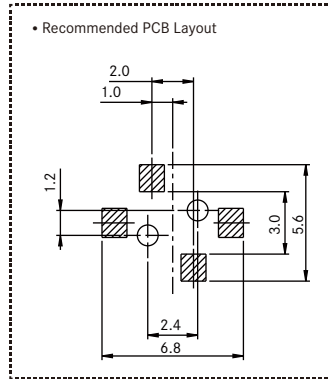
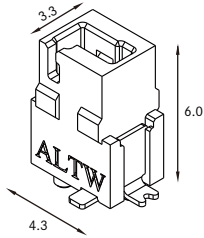
Recommended PCB Layout



Unit: mm

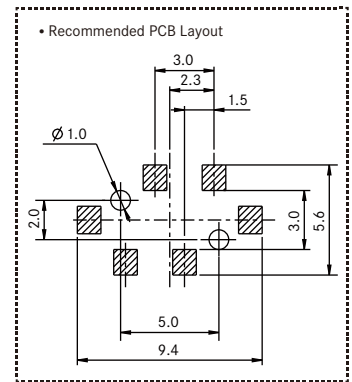
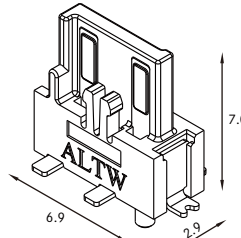
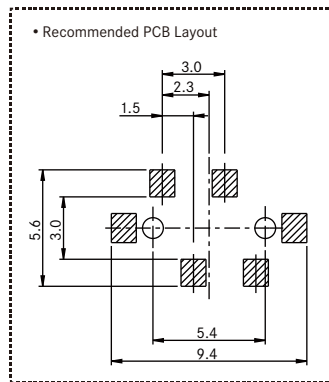
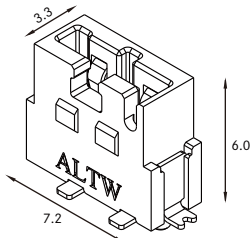
▾ PCB Mount > Straight

>> 2P



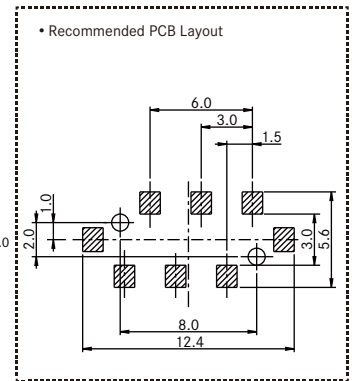
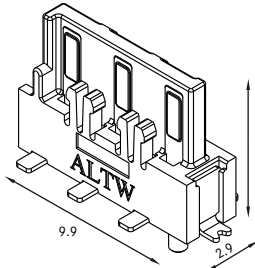
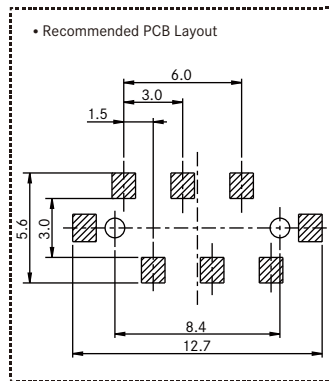
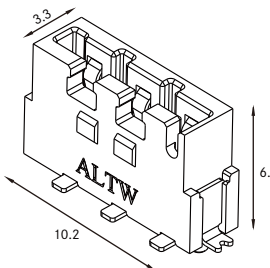
Unit: mm

>> 4P



Unit: mm

>> 6P

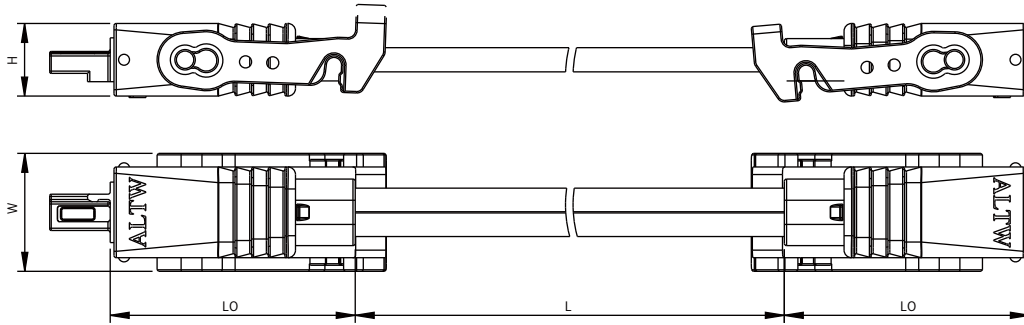


Unit: mm

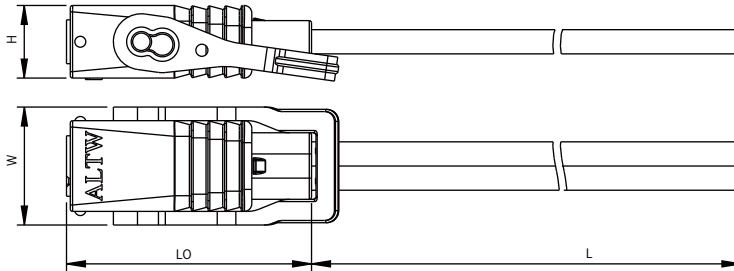
【Note】 Design and specification are subject to change without notice.

Wire Assembly

>> Flat Cable



>> Wire

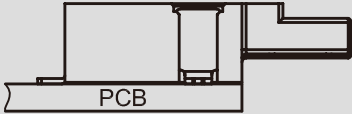
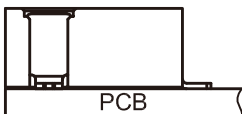


	L0	H	W	Cable Length (L)
2P	18.2	4.8	7.8	Various cable length available upon request
4P	18.2	4.8	11.2	
6P	18.2	4.8	14.2	

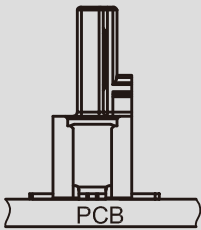
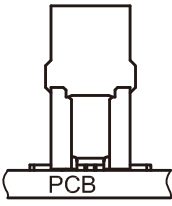
Unit: mm

Find Our Standard Products | SSL 1.1

Board to Board > Right Angle

	 <p>4 PCB Mount (Right Angle) ; With post (C) or without post (D)</p>	 <p>4 PCB Mount (Right Angle) ; With post (C) or without post (D)</p>
	Plug	Jack
2P	SSL11-P 2 4 00-000001	SSL11-J 2 4 00-000001
4P	SSL11-P 4 4 00-000001	SSL11-J 4 4 00-000001
6P	SSL11-P 6 4 00-000001	SSL11-J 6 4 00-000001

Board to Board > Straight

		
	Plug	Jack
2P	SSL11-P2A00-000001	SSL11-J2A00-000001
4P	SSL11-P4A00-000001	SSL11-J4A00-000001
6P	SSL11-P6A00-000001	SSL11-J6A00-000001

【Note】 Design and specification are subject to change without notice.

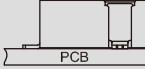

Board to Board > Right Angle & Straight

<p>Right Angle</p> <p>Straight</p> <p>4 PCB Mount (Right Angle) : With post (C) or without post (D) PCB Mount (Straight) : With post (A)</p>		<p>Straight</p> <p>Right Angle</p> <p>4 PCB Mount (Right Angle) : With post(C) or without post (D) PCB Mount (Straight) : With post (A)</p>	
	Plug	Jack	
2P	SSL11-P 2 4 00-000001	SSL11-J 2 4 00-000001	
4P	SSL11-P 4 4 00-000001	SSL11-J 4 4 00-000001	
6P	SSL11-P 6 4 00-000001	SSL11-J 6 4 00-000001	

Board to Wire

<p>4 PCB Mount (Right Angle) ; With post (C) or without post (D)</p>		<p>*XX: Various cable length available upon request</p>			
	Mount Type		End 1 + End 2	Cable Type	Part Number
2P	Right Angle Plug	SSL11-P2 4 00-000001	Jack + Open End	Wire	SSL11-J2LJ0-B22A <u>XX</u> *
4P		SSL11-P4 4 00-000001			SSL11-J4LJ0-B22A <u>XX</u> *
6P		SSL11-P6 4 00-000001			SSL11-J6LJ0-B22A <u>XX</u> *

Board to Wire

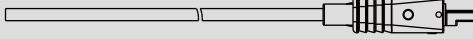
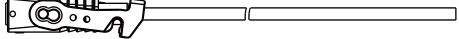



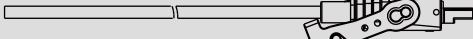
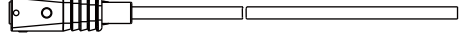
4 PCB Mount (Right Angle) ; With post (C) or without post (D)

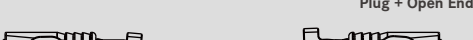

*XX: Various cable length available upon request

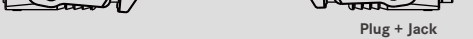

	Mount Type	Jack	End 1 + End 2	Cable Type	Part Number
2P	Right Angle Jack	SSL11-J2 4 00-000001	Plug + Open End	Wire	SSL11-P2LP0-B22AXX*
4P		SSL11-J4 4 00-000001			SSL11-P4LP0-B22AXX*
6P		SSL11-J6 4 00-000001			SSL11-P6LP0-B22AXX*

Wire to Wire

*XX: Various cable length available upon request

Cable Type	Contacts 3	End 1 + End 2	Lock	Part Number	End 1 + End 2	Lock	Part Number
Wire	2, 4, 6	Plug + Open End	No Lock	SSL11-P 3 LP0-022AXX*	Jack + Open End	One Lock	SSL11-J 3 LJ0-022AXX*
			One Lock	SSL11-P 3 LP0-W22AXX*		No Lock	SSL11-J 3 LJ0-022AXX*
Flat Cable	2, 4, 6	Plug + Jack	Two Locks	SSL11-P 3 LJP-T22DXX*	Jack + Plug	No Lock	SSL11-P 3 LJP-022DXX*
		Plug + Plug	Two Locks	SSL11-P 3 L2P-T22DXX*	Jack + Plug	No Lock	SSL11-J 3 L2J-022DXX*
			No Lock	SSL11-P 3 L2P-022DXX*		No Lock	SSL11-J 3 L2J-T22DXX*

[Note] Design and specification are subject to change without notice.

Specification | SSL 1.2

Identifications	SSL 1.2 DC Connector (IPX8 Waterproof Series)
Description	Board to Wire Wire to Wire
Current Rating / Data	5A per pin (2 & 4 pins available; 6 pins upon request)
Material	Terminal: Copper alloy, tin plated Housing: Thermoplastic, UL94V-0 Rated Seal&Gasket: Silicone
Waterproof Rating	IP68, 1M depth of water in 24 hours
Temperature Range	-40°C ~ +105°C
Contact Resistance	≤ 20m Ω
Insulation Resistance	≥ 1000M Ω at 500VDC
Durability	30 cycles
Breakdown Voltage	1500V AC
More to know	UL1977 / cUL / CSA C22.2

Ordering Information | SSL 1.2

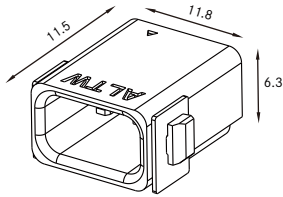
Connector Series		1 — 2 3 4 5 6 7 8
(12) SSL 1.2 IPX8 Waterproof Series		
Connector (Housing) Gender		
(J) Jack	(P) Plug	
Number of Contacts		
2, 4 contacts		
EX. (2) = 2 Contacts		
Connector Type		
<u>> For PCB Mount Type</u>		<u>> For Cable</u>
(D) SMT Board Right Angle without Post	(L) Cable Assemblies, Straight	(F) Field Installable
Wires Assembly Options		
<u>> For PCB Mount Type</u>		<u>> For Cable</u>
(00) Applicable for PCB Mount Type	(2J) Cable with 2-Ends Jack Connector	(2P) Cable with 2-Ends Plug Connector
	(JP) One End: Jack, Another End: Plug,	(JO) End 1: Jack , End 2: Open
	(PO) End 1: Plug, End 2: Open	
Latch Option		
(0) None latch		
(M) with latch		
Wire Size		
<u>> For PCB Mount Type</u>		<u>> For Cable</u>
(00) Applicable for PCB Mount Type		(20) 20 AWG
Cable / Wires Type		
<u>> For PCB Mount Type</u>		<u>> For Cable</u>
(001), (002).....		(□)+(■) : Cable Type + Cable Length
Without Cable : Different Versions		EX.(A01)= UL1430 Cable + 100mm
	(□) : Cable Type	(A) Wires, UL 1430 (Approved)
	From 100mm~9900mm	EX. (01), (02) = 200mm, (03) = 300mm
	*Every 100mm as per extension	

【Note】 Design and specification are subject to change without notice.

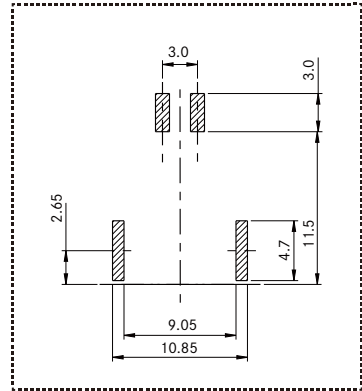
Physical Dimension | SSL 1.2

▾ SMT Receptacle

>> 2P

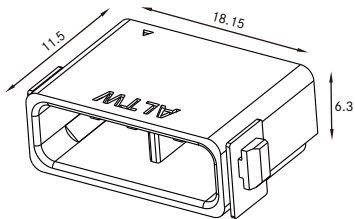


Recommended PCB Layout

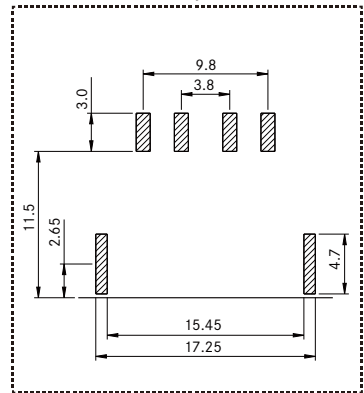


Unit: mm

>> 2P

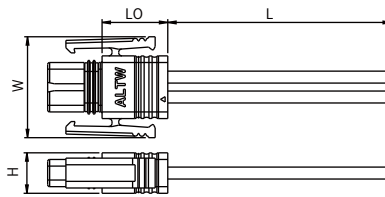
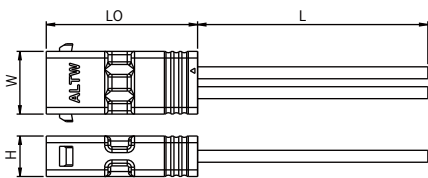


Recommended PCB Layout



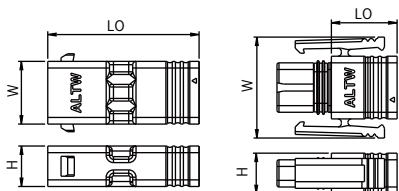
Unit: mm

▾ Cable Assemblies & Field Installable



* Various cable length available upon request.

▾ Cable Assemblies & Field Installable

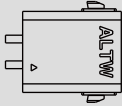
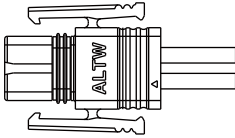
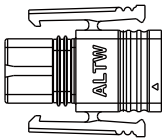
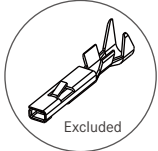


	Gender	L0	H	W
2P	Jack	22.8	6.1	11.8
	Plug	18.1	6.1	15.2
4P	Jack	22.8	6.1	18.15
	Plug	9.9	6.1	21.2

Unit: mm

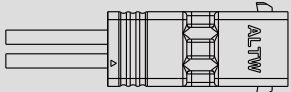
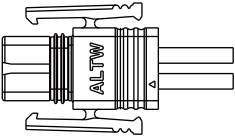
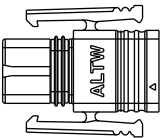
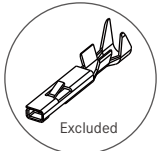
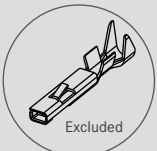
Find Our Standard Products | SSL 1.2

Board to Wire

		 <p>Cable Assemblies</p>		 <p>Field Installable</p>	 <p>Excluded</p> <p>BBA00010667</p>
		<p>Jack</p>		<p>Plug</p>	
2P	SSL 12-J2D00-000001	SSL 12-P2LP0-M20AXX*	SSL 12-P2FP0-M00001		
4P	SSL 12-J4D00-000001	SSL 12-P4LP0-M20AXX*	SSL 12-P4FP0-M00001		

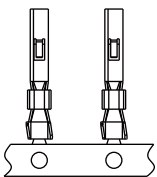
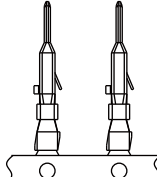
*XX: Various cable length available upon request

Wire to Wire

 <p>Cable Assemblies</p>		 <p>Cable Assemblies</p>		 <p>Field Installable</p>	 <p>Excluded</p> <p>BBA00010667</p>
		 <p>Excluded</p> <p>BBA00010667</p> <p>④ Choose the connector type: Cable Assemblies (L) or Field Installable (F)</p>			
<p>Jack</p>		<p>Plug</p>			
2P	SSL 12-J2 ④ J0-020AXX*	SSL 12-P2LP0-M20AXX*	SSL 12-P2FP0-M00001		
4P	SSL 12-J4 ④ J0-020AXX*	SSL 12-P4LP0-M20AXX*	SSL 12-P4FP0-M00001		

*XX: Various cable length available upon request

Accessories > Contacts

	 <p>Packing Information</p>	 <p>Packing Information</p>
Part Number	BBA00010666	BBA00010667

【Note】 Design and specification are subject to change without notice.

Specification | SSL 1.3

Identifications	SSL1.3 The Bridge
Description	Board to Board Jumper
Number of Position	1P
Current Rating / Data	5A
Voltage Rating	500V AC/DC
Material	Terminal: Copper Alloy, Gold (selective) over Nickel Plated Housing: Thermoplastic, UL94V-0 Rated
Temperature Range	-40°C ~ +105°C
Contact Resistance	$\leq 20\text{m } \Omega$
Insulation Resistance	$\geq 1000\text{M } \Omega$ at 500VDC
Durability	10 cycles
Breakdown Voltage	2000V AC

Ordering Information | SSL 1.3

Connector Series

(13) SSL 1.3 The Bridge Series

SSL1.3-D-1-S-00-0-00-001

Connector (Housing) Gender

(D) no gender

Number of Contacts

1 contacts

EX. (1) = 1 Contacts

Connector Type

> For PCB Mount Type

(S) Screw Mount Type

Wires Assembly Options

> For PCB Mount Type

(00) Applicable for PCB Mount Type

Assembly Option

(0) Applicable for PCB Mount Type

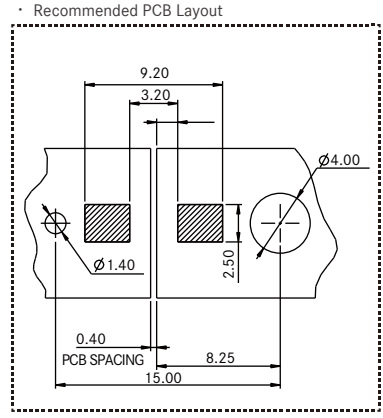
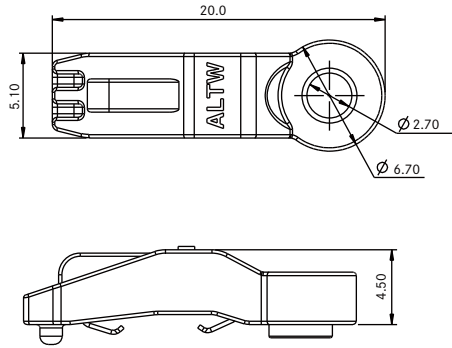
Wire Size

> For PCB Mount Type

(00) Applicable for PCB Mount Type

Physical Dimension | SSL 1.3

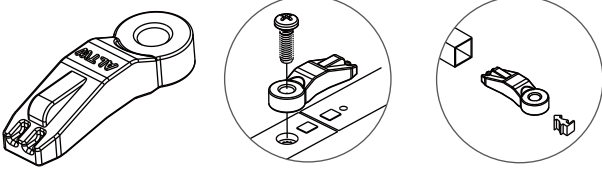
▾ SMT Receptacle



Unit: mm

Find Our Standard Products | SSL 1.3

∨ SSL 1.3 The Bridge

	
Part Number	SSL13-D1S00-000001

【Note】 Design and specification are subject to change without notice.

Specification | SSL 2.1

Identifications	SSL2.1 Inverted Thru Board
Description	Board to Board
Number of Position	2P
Current Rating / Data	12A
Voltage Rating	600V AC/DC
Material	Terminal: Copper Alloy, Gold Plated, Nickel-under Plated All over Housing & Cover: Thermoplastic, UL94V-0 Rated
Temperature Range	-40°C ~ +105°C
Contact Resistance	≤ 20m Ω
Insulation Resistance	≥ 1000M Ω at 500VDC
Durability	20 cycles
Breakdown Voltage	2200V AC
More to know	UL1977 / cUL / CSA C22.2 / RoHS

Ordering Information | SSL 2.1

Connector Series

SSL2.1-J-2-E-00-0-00-001

(21) SSL 2.1 Inverted Thru Hole

Connector (Housing) Gender

(J) Jack

Number of Contacts

2 contacts

EX. (2) = 2 Contacts

Connector Type

> For PCB Mount Type

(E) SMT Inverted 180 degree type

Wires Assembly Options

> For PCB Mount Type

(00) Applicable for PCB Mount Type

Assembly Option

(0) Applicable for PCB Mount Type

Wire Size

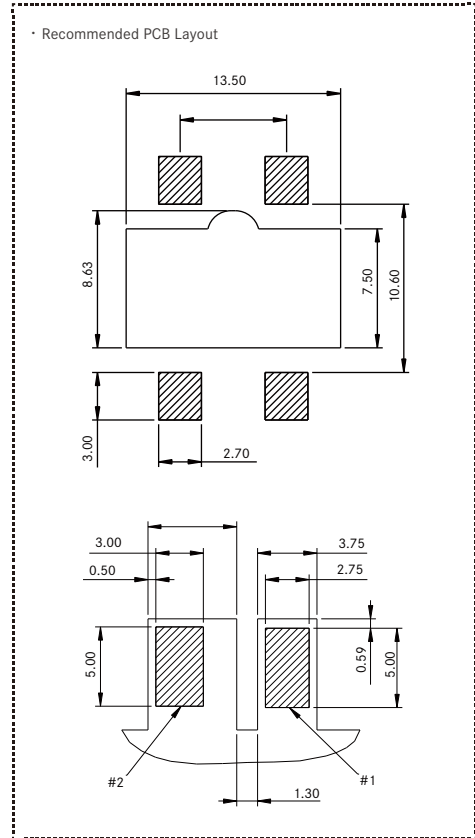
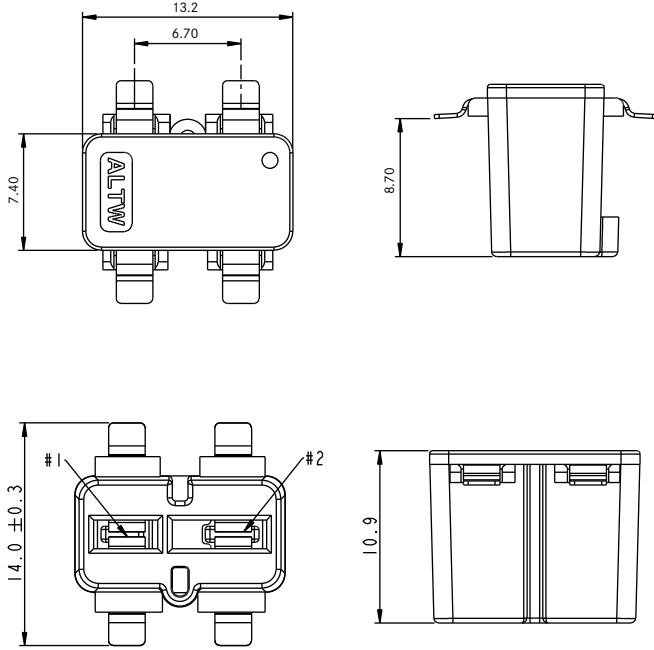
> For PCB Mount Type

(00) Applicable for PCB Mount Type

【Note】 Design and specification are subject to change without notice.

Physical Dimension | SSL 2.1

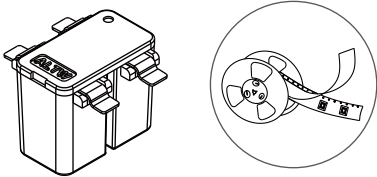
▾ SMT Receptacle



Unit: mm

Find Our Standard Products | SSL 2.1

∨ SSL 2.1 Inverted Thru Board

	
Part Number	SSL21-J2E00-000001

【Note】 Design and specification are subject to change without notice.

Specification | SSL 2.3

Identifications	SSL2.3 EZ-B
Description	Screw Base for E26/27 Bulb
Current Rating / Data	3A
Voltage Rating	500V AC/DC
Material	Terminal: Copper Alloy, Gold Plated, Nickel-under Plated All over Housing & Cover: Thermoplastic, UL94V-0 Rated
Temperature Range	-40°C ~ +105°C
Contact Resistance	≤ 20m Ω
Insulation Resistance	≥ 1000M Ω at 500VDC
Durability	100 cycles
Breakdown Voltage	2000V AC
More to know	UL1977 / cUL / CSA C22.2 / RoHS

Ordering Information | SSL 2.3

Connector Series

SSL2.3 - D - 2 - S - 00 - 0 - 00 - 001

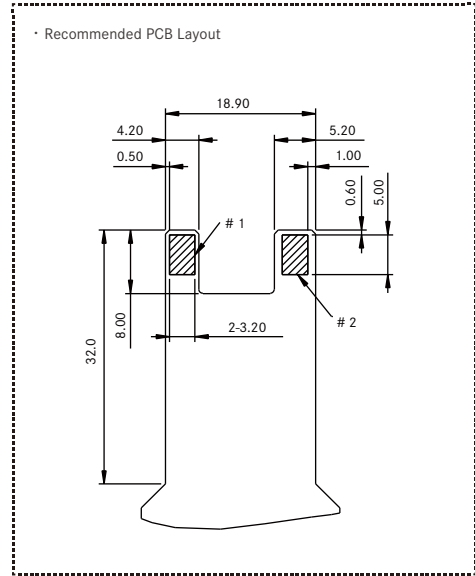
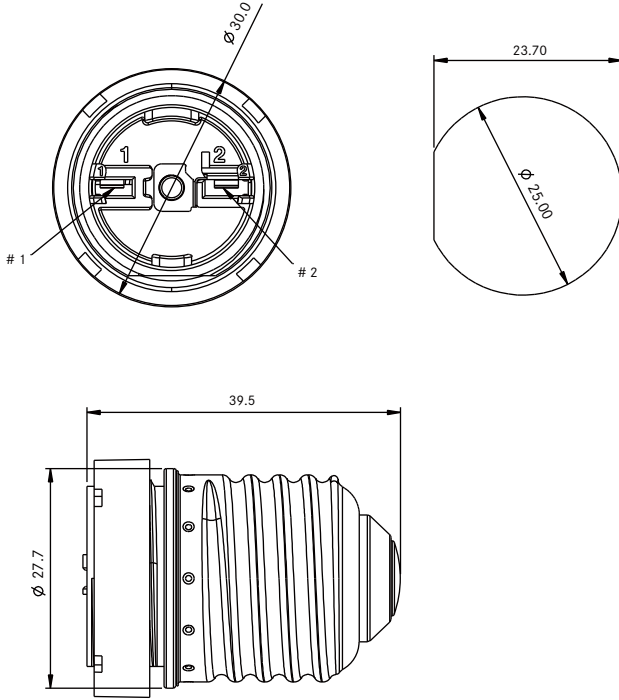
(23) SSL 2.3 EZ-Base**Connector (Housing) Gender****(D)** No Gender**Number of Contacts**

2 contacts

EX. **(2)** = 2 Contacts**Connector Type**> For PCB Mount Type**(S)** Screw Mount Type**Wires Assembly Options**> For PCB Mount Type**(00)** Applicable for PCB Mount Type**Assembly Option****(0)** Applicable for PCB Mount Type**Wire Size**> For PCB Mount Type**(00)** Applicable for PCB Mount Type

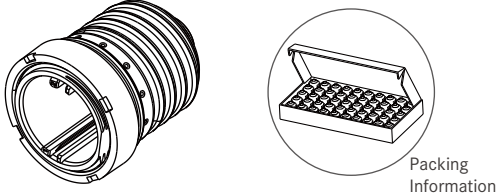
Physical Dimension | SSL 2.3

▾ SMT Receptacle



Find Our Standard Products | SSL 2.3

SSL 2.3 EZ-B

	 <p>Packing Information</p>
Part Number	SSL23-D2S00-000001

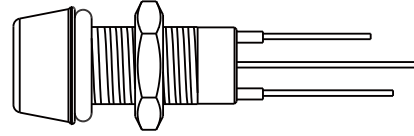
【Note】 Design and specification are subject to change without notice.

LED Indicator



Range Overview

▾ Receptacle



Specification

Identifications	M8 LED (Plastic or Metal)
Description	Receptacle with LED light
LED Size	Metal LED: $\phi 3\text{mm}$, $\phi 5\text{mm}$ Plastic LED: $\phi 3\text{mm}$
Material	Connector Body: Metal: Copper Alloy, Nickel Plated Plastic: PC+ABS
Waterproof Rating	IP67
Temperature Range	Metal: $-20^{\circ}\text{C} \sim +105^{\circ}\text{C}$ Plastic: $-20^{\circ}\text{C} \sim +85^{\circ}\text{C}$
Operating Voltage	4V
Light Color	Red, Blue, Green, White, Yellow, Red / Green
More to know	Absolute Maximum Ratings at $T_a=25^{\circ}\text{C}$ - Power Dissipation: 80~120mW Max - Peak Forward Current: 100mA Max - Continuous Forward Current: 20~35mA Max - Lead Soldering Temperature: 260°C for 5 Seconds

Ordering Information

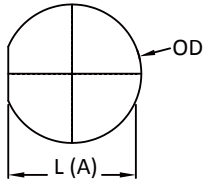
	1	2	3	4	5	6	7	8	9	10
Specification (L08) M8										
Number of LED (01) 1 LED										
Light Color Style (R) Red (B) Blue (G) Green										
			(W) White (A) Red/Green (Y) Yellow							
LED Size (A) \varnothing 3mm										
			(B) \varnothing 5mm							
Electrical Type (A) DC 4V										
Assemble Style > For Receptacle (S) Solder Type (P) 180° PCB Type										
Housing Material (M) Metal										
			(P) Plastic							
Backshell > For Receptacle (R) Circular / Rear Fastened										
Waterproof Rating (7) IP 67										
More Information > For Receptacle (001) Without Cable										

* Design and specification are subject to change without notice.

Physical Dimension

Receptacle

Panel Cut-Out

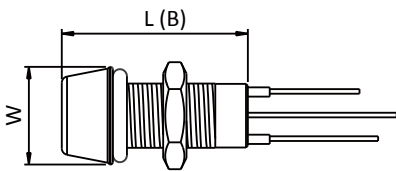


Size \ Dimension	L (A)	OD	L (B)	W
L08 - ϕ 3.0 (Plastic)	7.1	8.2	21.0	10.5
L08 - ϕ 3.0 (Metal)	7.1	8.2	20.0	10.5
L08 - ϕ 5.0 (Metal)	7.1	8.2	20.0	10.5

* Maximum Panel Thickness: 6.5mm

Dimensions are shown in millimeters

Connector Dimension



Find Our Standard Products

Receptacle

• Plastic connectors	<p>Receptacle</p> <p>3 Choose the color of LED: - Mono-color: Red (R) / Blue (B) / Green (G) / White (W) / Yellow (Y) The size of plastic LED: ϕ3mm</p>
	<p>LED M8 Plastic</p> <p>L08-01 3 AAS-PR700 1</p>

Receptacle

• Metal connectors	<p>Receptacle</p> <p>3 Choose the color of LED: - Mono-color: Red (R) / Blue (B) / Green (G) / White (W) / Yellow (Y) - Multi-color: Red & Green (A) 4 Choose the size of LED (ϕ3mm (A) or ϕ5mm (B))</p>
	<p>LED M8 Metal</p> <p>L08-01 3 4 AS-MR700 1</p>

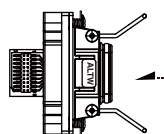
HDMI Connector



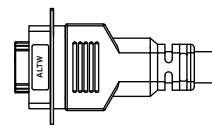
Range Overview

Receptacle to Overmolded with Cable

Rectangle Type

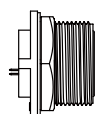


Receptacle

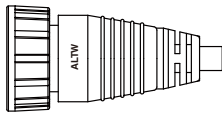


Overmolded with Cable

Circular Type

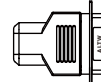


Receptacle



Overmolded with Cable

Accessories

Waterproof Cap
See page 21-17Waterproof Cap
See page 21-17

Specification

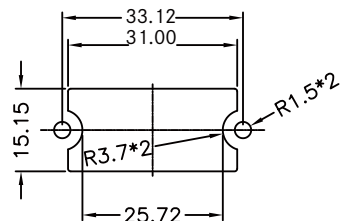
Identifications	HDMI connector
Description	Receptacle Overmolded with Cable
Current Rating / Data	0.5A
Material	Contacts: Phospor Bronze Connector Body (Housing): PBT Shell: Brass
Waterproof Rating	IP67 (Mated Waterproof)
Temperature Range	Receptacle: -20°C~80°C Overmolded with Cable: -20°C~80°C
Contact Resistance	≤ 20mΩ
Insulation Resistance	≥ 100mΩ at DC500V
More to know	Standard Cable Length: 01~05 M

Physical Dimension

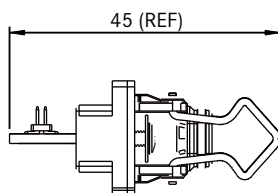
Receptacle

Panel Cut-Out

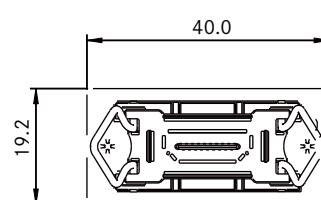
Rectangle Type



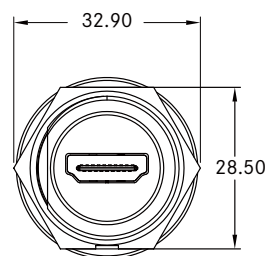
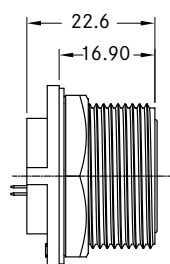
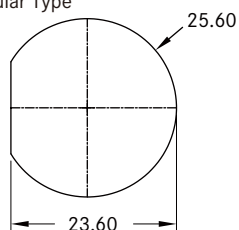
Connector Dimension



Connector Dimension

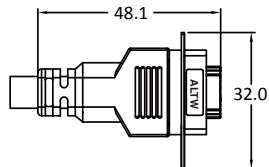


Circular Type



* Unit: mm

Overmolded with Cable



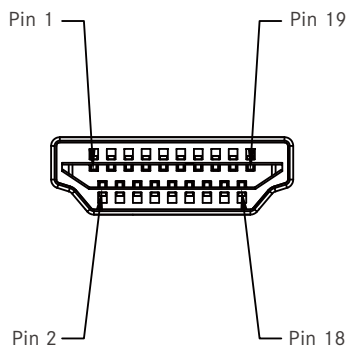
Rectangle Type



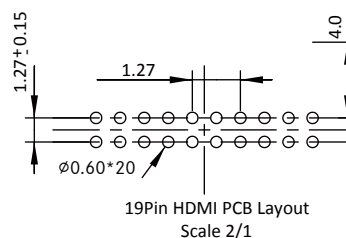
Circular Type

* Unit: mm

Contact Configuration



PCB Layoyt

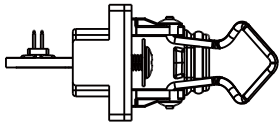


* Unit: mm

[Note] This only show contact configuration of Jack as your reference.

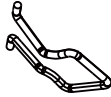
Product Features

Receptacle



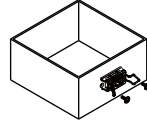
Rectangle Type

Mating Style 7



Latch (Q)

Connector Body(Style) 3

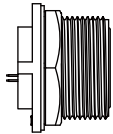


Front Fastened (P)

Backshell 8



Rectangle (S)



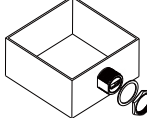
Circular Type

Mating Style 7



Screw Thread (S)

Connector Body(Style) 3



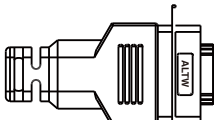
Front Fastened (P)

Backshell 8



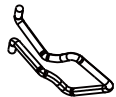
Circular (C)

Overmolded with Cable



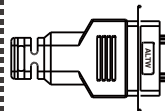
Rectangle Type

Mating Style 7



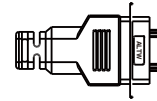
Latch (Q)

Connector Body(Style) 3

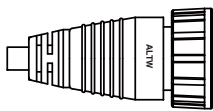


With Strain Relief (A)

Backshell 8



Straight (L)



Circular Type

Mating Style 7



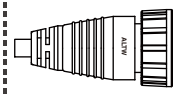
Screw Thread (S)

Connector Body(Style) 3



With Strain Relief (A)

Backshell 8



Straight (L)

Find Our Standard Products

Receptacle and Mating Pair

	Receptacle	Overmolded with Cable	Field Installable
<ul style="list-style-type: none"> Female Connector (Housing) Female Contacts Latch Screw Thread 	Rectangle Type Circular Type	Rectangle Type Circular Type	
Connector Style	Female Connector (F) Female Contacts (F)	Male Connector (M) Male Contacts (M)	Male Connector (M) Male Contacts (M)
Rectangle Type	HJ-19PFFR-QS7001	HP-19AMMM-QL7A XX *	-
Circular Type	HJ-19PMFP-SC7001	HP-19AFMM-SL7A XX *	-

* ~~XX~~: Choose UL20276 cable and select the cable length from 01~05m

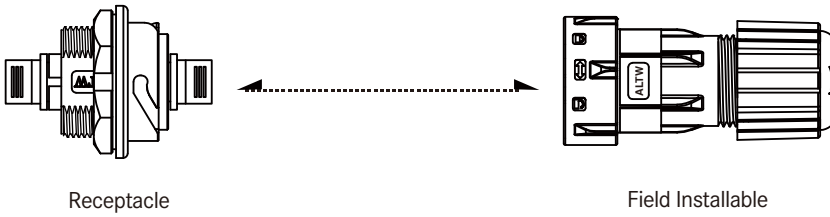
【Note】 Design and specification are subject to change without notice.

Fiber Optic Connector



Range Overview

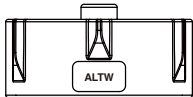
⌵ Receptacle to Field Installable



Receptacle

Field Installable

⌵ Accessories



Waterproof Cap
See page 21-18

Specification

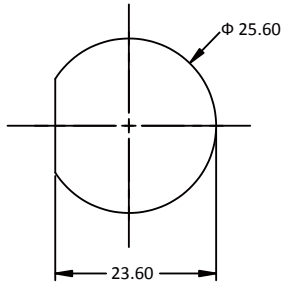
Identifications	LC Type SC Type
Description	Receptacle Field Installable
Material	Receptacle: Mousing: PPO Screw Nut: Nylon Field Installable: Clamp Ring: PPO Lock Nut: PPO Sealing Nut: Nylon
Waterproof Rating	IP67
Temperature Range	Receptacle: -40 °C ~ 105 °C Field Installable: -40 °C ~ 105 °C

* Design and specification are subject to change without notice.

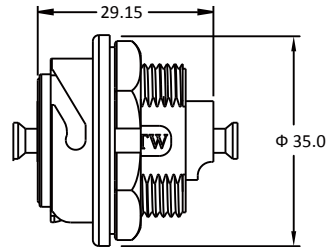
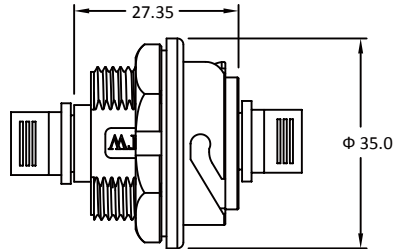
Physical Dimension

Receptacle

Panel Cut-Out

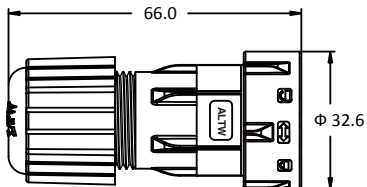


Connector Dimension



Unit: mm

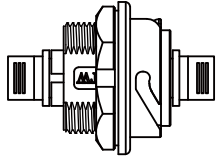
Field Installable



Unit: mm

Product Features

Receptacle

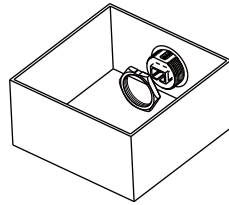


Mating Style 6



3 Points Lock Bayonet
(T)

Connector Body(Style) 3



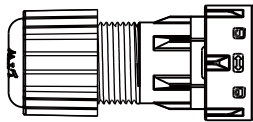
Rear Fastened (R)

Backshell 7



Circle (C)

Field Installable

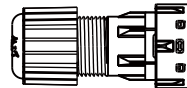


Mating Style 6



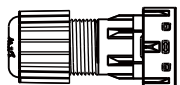
3 Points Lock Bayonet
(T)

Connector Body(Style) 3



Without Strain Relief
(B)


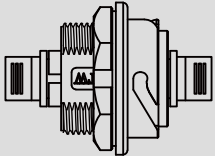
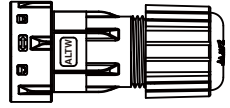
Backshell 7



Straight
(L)

Find Our Standard Products

▾ Receptacle and Mating Pair

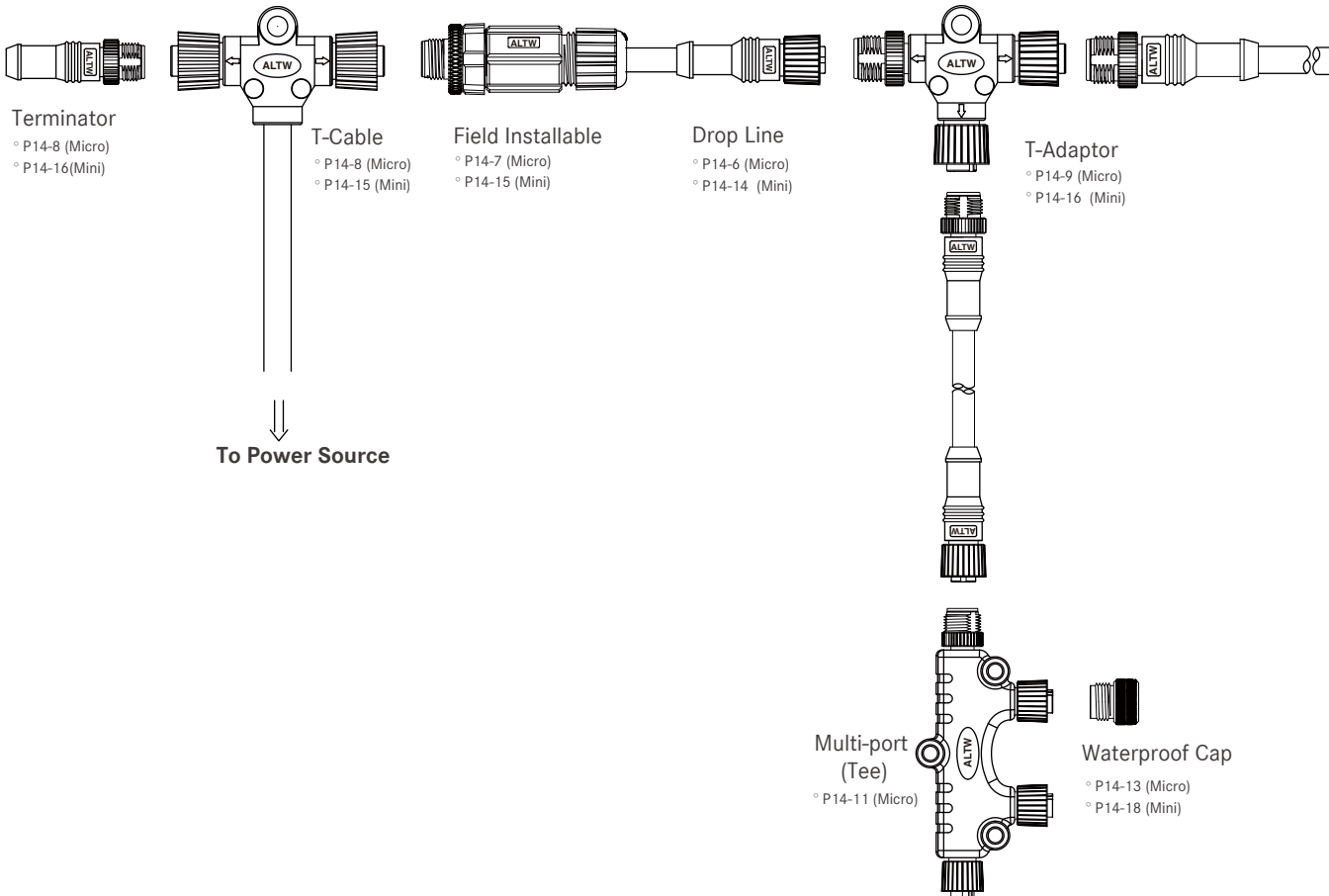
<ul style="list-style-type: none"> • Female Connector (Housing) • 3 Point Lock Bayonet 	<p>Receptacle </p> 	<p>Field Installable</p> 
Type	Female Connector (F)	Male Connector (M)
LC Type (L)	FB-00RLFJ-TC7001	FB-00BLMA-TL7001 FB-00BLMA-TL7002
SC Type (S)	FB-SMRSFJ-TC7001	FB-00BSMA-TL7001

FB-00BLMA-TL7001 (Cable OD: 2.5~2.8)
 FB-00BLMA-TL7002 (Cable OD: 4.5~6.8)
 FB-00BSMA-TL7001 (Cable OD: 2.4 max)

[Note] Design and specification are subject to change without notice.

NMEA 2000 Connector

Range Overview



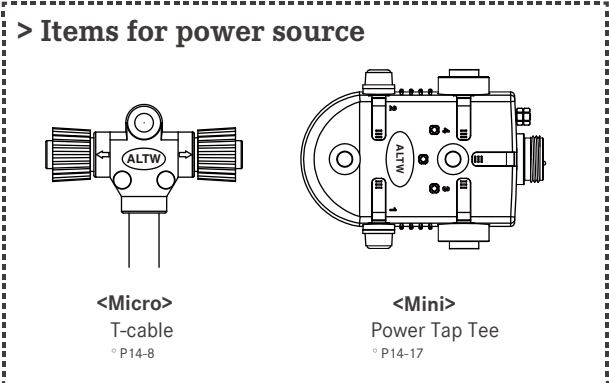
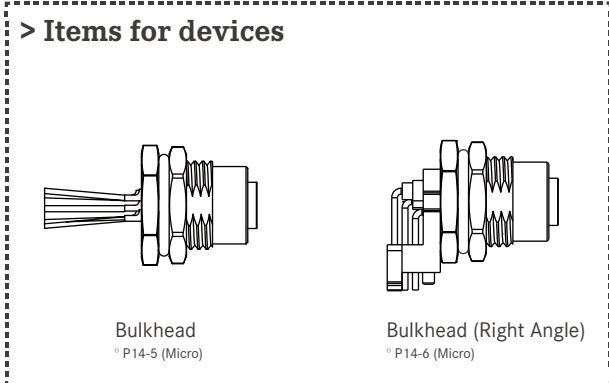
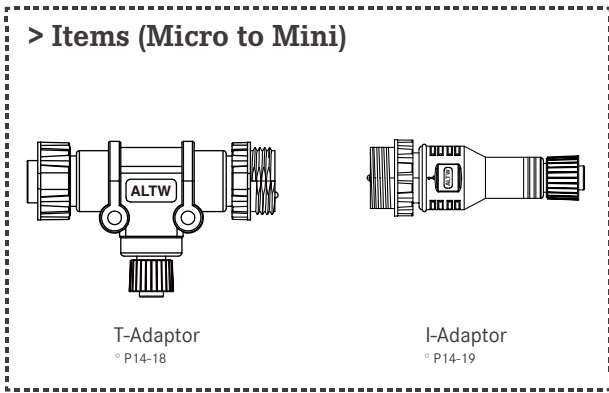
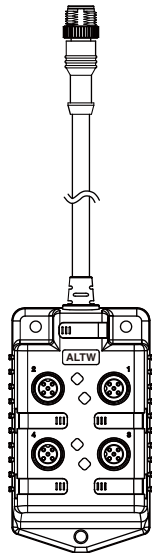
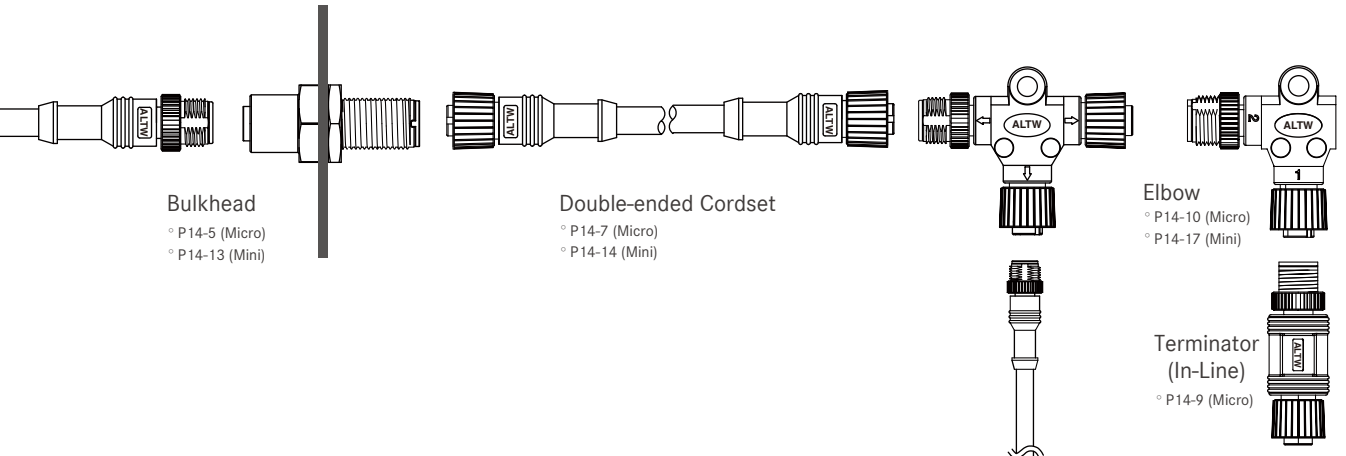
About NMEA 2000

Amphenol LTW Technology expands its coverage targeting the marine industry that features the NMEA 2000 standard.

The NMEA 2000 standard contains the requirements of a serial data communications network to inter-connect marine electronic equipment on

vessels. It is multi-master and self-configuring, and there is no central network controller. Equipment designed to this standard will have the ability to

share data, including commands and status with other compatible equipment over a status with other compatible equipment over a single channel.



* Design and specification are subject to change without notice.

Specification

Identifications	Micro(AWG: 22 AWG, 24 AWG) Mini(AWG: 18 AWG, 15 AWG)
Description	<p>Micro: Bulkhead (With Wire / Double-ended / Right Angle) Cable (Drop Line / Double-ended Cordset / Field Installable / T-Cable) Network Terminator (Single-ended / In-line) Adaptor (T-Adaptor / Elbow) Multi-port Waterproof Cap</p> <p>Mini: Bulkhead (Double-ended) Cable (Drop Line / Double-ended Cordset / Field Installable / T-Cable) Network Terminator (Single-ended) Adaptor (T-Adaptor / Elbow) Power Tap Tee Waterproof Cap</p> <p>Mini to Micro: Adaptor (T-Adaptor / I-Adaptor)</p>
Current Rating / Data	4A, 8A
Material	Contacts: Copper Alloy, Gold Plated Contacts Holder: PA
Waterproof Rating	IP67~68
Temperature Range	Receptacle: -40°C~85°C Overmolded with Cable: -20°C~80°C Field Installable: Nylon+GF: -40°C~105°C PU: -20°C~85°C * Higer working temperature upon request.


Contact Configuration

	Micro-C	Mini-C
	4A	8A
	FF or MM	FF or MM
4Pin		
5Pin		


4A 8A
Number of Contacts: Ex.2 contacts (02)
Connector (Housing) Gender: Male(M) or Female(F)
Contact Gender: Male(M) or Female(F)

More to Choose:

- Solder (**S**)
- Solder Cup



- Screw In (**B**)



Cabling Information

Micro

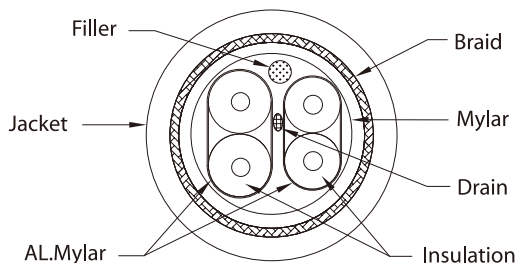
NMEA Approved

(A): (24#* 1P+AL) + (22#* 1P+AL) + Drain + Mylar + Braid

Conforming

(A): (24#* 1P+AL) + (22#* 1P+AL) + Drain + AL + Braid

(B): (22#* 1P+AL) + (18#* 1P+AL) + Drain + AL + Braid



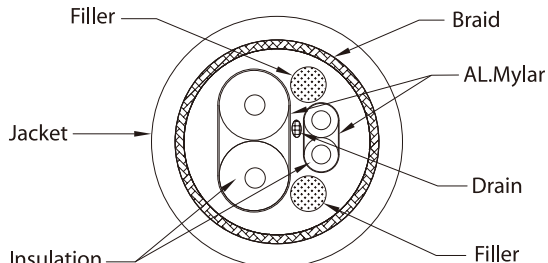
Mini

NMEA Approved

(C): (18#* 1P+AL) + (15#* 1P+AL) + Drain + Braid

Conforming

(C): (18#* 1P+AL) + (16#* 1P+AL) + Drain + AL+Braid



* Design and specification are subject to change without notice.

Find Our Standard Products

Micro > Bulkhead (Double-ended)

<ul style="list-style-type: none"> • 5 Contacts • Screw Thread • Unmated IP68 		
Type	Part Number	
None - Certified NMEA 2000 (4A, 60V)	MC-000505-0FM-BS001	
Certified NMEA 2000 (4A, 60V)	UMC-000505-0FM-BS001	

Micro > Bulkhead

<ul style="list-style-type: none"> • For device side • Unmated IP68 		
Type	Part Number	Part Number
None- Certified NMEA 2000 (4A, 60V)	MC-05PMMS-SF8001 MC-05PMMS-SH8001	MC-05PFFS-SF8001 MC-05PFFS-SH8001

Micro > Bulkhead (Right Angle)

<ul style="list-style-type: none"> • For device side • Unmated IP68 / Mated IP67 	<p>* IP 68 (Unmated)</p>	<p>* IP 67 (Mated)</p>
Type	Part Number	Part Number
None - Certified NMEA 2000 (4A, 60V)	12-05PMMR-SF7001 12-05PMMR-SF8001	12-05PFFR-SF7001 12-05PFFR-SF8001
None - Certified NMEA 2000 (Plastic / 4A, 60V)	12P-05PMMR-SF8001	12P-05PFFR-SF8001

Micro > Cable > Drop Line

<ul style="list-style-type: none"> • Mated IP68 		
Type	Part Number	Part Number
None - Certified NMEA 2000 (Metal Nut / 4A, 60V)	MC-05BMMM-SL8A <u>XX</u> * MC-05BMMM-SL8B <u>XX</u> *	MC-05BFFM-SL8A <u>XX</u> * MC-05BFFM-SL8B <u>XX</u> *
None- Certified NMEA 2000 (Plastic / 4A, 60V)	MCP-05BMMM-SL8A <u>XX</u> * MCP-05BMMM-SL8B <u>XX</u> *	MCP-05BFFM-SL8A <u>XX</u> * MCP-05BFFM-SL8B <u>XX</u> *
Certified NMEA 2000 (4A, 60V)	UMC-05BMMM-SL8A <u>XX</u> *	-

*XX: Cable length available in 1 (01), 2 (02), 5 (05), 10 (10)M.
Cabling Information refers to page

* Design and specification are subject to change without notice.

Micro > Cable > Double-ended Cordset

<ul style="list-style-type: none"> • Mated IP68 						
	*Cable 22+24+B PVC					
Type	End 1	End 2	End 1	End 2	End 1	End 2
	Male		Female		Male	Female
None - Certified NMEA 2000 (4A, 60V)	MC-000505-0MM-CS*		MC-000505-0FF-CS*		MC-000505-0MF-CS*	
None - Certified NMEA 2000 (Plastic / (4A, 30V))	PC-000505-0MM-CS*		PC-000505-0FF-CS*		PC-000505-0MF-CS*	
Certified NMEA 2000 (4A, 60V)	-		-		UMC-000505-0MF-CSA*	

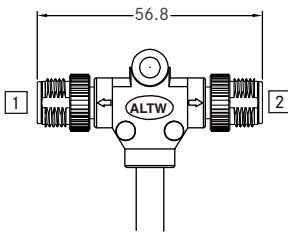
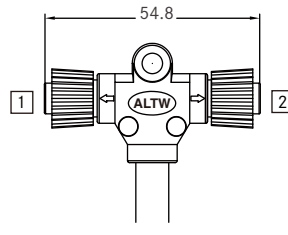
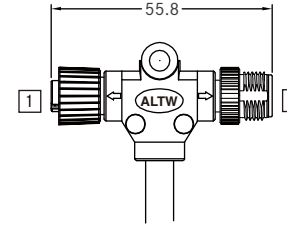
*XX: Cable length available in 1 (01), 2 (02), 5 (05), 10 (10)M.

Micro > Cable > Field Installable

<ul style="list-style-type: none"> • Screw-in Contacts • Mated IP68 		
	* Conforming to NMEA	
		* NMEA approved
Type	Part Number	Part Number
None - Certified NMEA 2000 (4A, 60V)	12-05BMMB-SL7001 12-05BMMB-SR7001	12-05BFFB-SL7001 12-05BFFB-SR7001
None - Certified NMEA 2000 (Plastic / (4A, 30V))	12P-05BMMB-SL7001 12P-05BMMB-SR7001	12P-05BFFB-SL7001 12P-05BFFB-SR7001
Certified NMEA 2000 (4A, 60V)	UMC-05BMMB-SL7001	UMC-05BFFB-SL7001

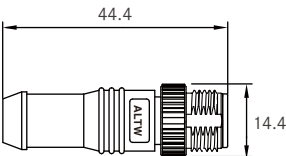
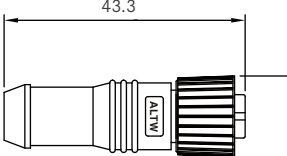
*Recommended Cable Information:
 - None-Certified: Ø4.5 ~ Ø6.0mm; 18AWG Max.
 - Certified NMEA 2000: Ø4.5 ~ Ø7.5mm; 18AWG Max.

Micro > Cable > T-Cable

<ul style="list-style-type: none"> • For Power Tap Connection • Mated IP68 						
	Type	End 1	End 2	End 1	End 2	End 1
	Male		Female		Female	Male
None - Certified NMEA 2000 (4A, 60V)	MC-050500-MM0-TSBXX*		MC-050500-FF0-TSBXX*		MC-050500-FM0-TSBXX*	
None - Certified NMEA 2000 (Plastic / 4A, 60V)	PC-050500-MM0-TSBXX*		PC-050500-FF0-TSBXX*		PC-050500-FM0-TSBXX*	
Certified NMEA 2000 (4A, 60V)	-		-		UMC-050500-FM0-TSAXX*	

*XX: Cable length available in 1 (01), 2 (02), 5 (05), 10 (10)M. Cabling Information refers to page

Micro > Network terminator > Terminator

<ul style="list-style-type: none"> • With 120Ω Resistor • Mated IP68 				
	Type	Part Number		Part Number
None - Certified NMEA 2000 (4A, 60V)	MC-05BMMT-SL8001		MC-05BFFT-SL8001	
None - Certified NMEA 2000 (Plastic / 4A, 60V)	MCP-05BMMT-SL8001		MCP-05BFFT-SL8001	
Certified NMEA 2000 (Plastic / 4A, 60V)	UMC-05BMMT-SL8001		UMC-05BFFT-SL8001	

* Design and specification are subject to change without notice.

Micro > Network Terminator > Terminator (In-Line)

<ul style="list-style-type: none"> • With 120Ω Resistor • Mated IP68 		
Type	End 1	End 2
	Male	Female
None - Certified NMEA 2000 (4A, 60V)	MC-000505-0MF-IS001	

Micro > Adaptor > T-Adaptor

<ul style="list-style-type: none"> • Mated IP68 		
Type	Part Number	
None - Certified NMEA 2000 (4A, 60V)	UMC-050505-FMF-TS001	

Micro > Adaptor > Elbow

• Mated IP68		
Type	Part Number	
None - Certified NMEA 2000 (4A, 60V)	MC-000505-0FM-ES001	

Micro > Adaptor > T-Adaptor

• Mated IP68		
Type	Part Number	Part Number
None - Certified NMEA 2000 (4A, 60V)	S-555500-FFFM00-S001	S-555555-FFFFFM-S001
Certified NMEA 2000 (4A, 60V)	E-555500-FFFM00-S001	E-555555-FFFFFM-S001

* Design and specification are subject to change without notice.

Micro > Multi-port > Box

• Unmated IP68		
Type	Part Number	
None - Certified NMEA 2000 (4A, 30V)	S-555500-FFFF00-SBXX*	
Certified NMEA 2000 (4A, 30V)	E-555500-FFFF00-SAXX*	

Micro > Cap > Waterproof Cap

		* Plastic	* Metal	
Size	Mating Pair	Mating Style	Mating Gender	Part Number
Micro	Receptacle	Screw Thread	Male	CAP-WBDMSPB2
	Receptacle and Overmolded with Cable		Male	CAP-WBDMSMA1 (Plastic)
			Male	CAP-WBDMSMA2 (Metal)
			Female	CAP-WBDFSMA1 (Plastic)
			Female	CAP-WBDFSMA2 (Metal)

Micro > Multi-port > Box

<ul style="list-style-type: none"> • Unmated IP68 		
Type	Part Number	
None - Certified NMEA 2000 (8A, 600V)	MN-000505-0FM-BS001	
Certified NMEA 2000 (8A, 600V)	UMN-000505-0FM-BS001	

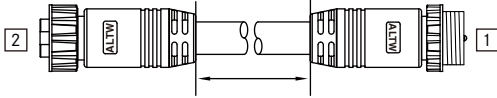
Mini > Cable > Drop Line

<ul style="list-style-type: none"> • Mated IP68 		
Type	Part Number	Part Number
None - Certified NMEA 2000 (8A, 30V)	MN-05AMMM-SL8CXX*	MN-05AFFM-SL8CXX*
Certified NMEA 2000 (8A, 600V)	UMN-05AMMM-SL8CXX*	-

*XX: Cable length available in 1 (01), 2 (02), 5 (05), 10 (10)M.

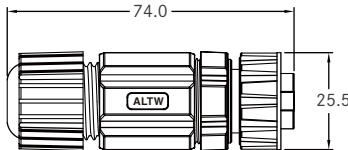
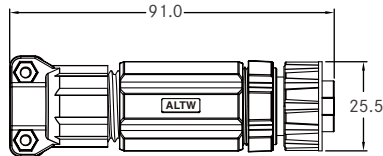
* Design and specification are subject to change without notice.

➤ Mini > Cable > Double-ended Cordset

<ul style="list-style-type: none"> • Mated IP68 	 <p>*Available in 1, 2, 5, 10 M</p>	
Type	Part Number	
None - Certified NMEA 2000 (8A, 30V)	MN-000505-0MF-CSCXX*	
Certified NMEA 2000 (8A, 600V)	UMN-000505-0MF-CSCXX*	

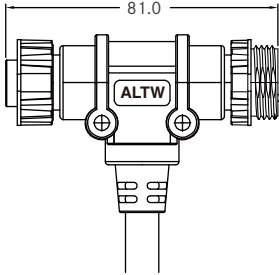
*XX: Cable length available in 1 (01), 2 (02), 5 (05), 10 (10)M. Cabling Information refers to page

➤ Mini > Cable > Field Installable

<ul style="list-style-type: none"> • Screw-in Contacts • Mated IP68 	<p>* Conforming to NMEA</p> 	<p>* NMEA approved</p> 
Type	Part Number	Part Number
None - Certified NMEA 2000 (8A, 600V)	MN-05BMMB-SL700 1	MN-05BFFB-SL700 1
Certified NMEA 2000 (8A, 600V)	UMN-05BMMB-SL700 1	UMN-05BFFB-SL700 1

*Recommended Cable Information:
 - None-Certified: Ø8 ~Ø11mm; 15AWG Max.
 - Certified NMEA 2000: Ø8 ~Ø12.2mm; 15AWG Max.

Mini > Cable > T-Cable

<ul style="list-style-type: none"> • Mated IP68 		
Type	Part Number	
None - Certified NMEA 2000 (8A, 30V)	MN-050500-FM0-TSCXX*	

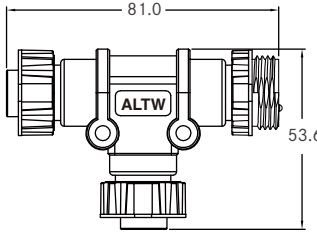
*XX: Cable length available in 1 (01), 2 (02), 5 (05), 10 (10)M.
Cabling Information:

Mini > Network Terminator > Terminator

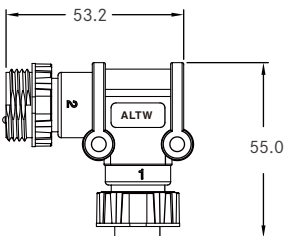
<ul style="list-style-type: none"> • With 120Ω Resistor • Mated IP68 	<ul style="list-style-type: none"> * Conforming to NMEA * Signal function LED 		<ul style="list-style-type: none"> * NMEA approved
Type	Part Number	Part Number	
None - Certified NMEA 2000 (8A, 250V)	MNL-05BMMT-SL8001	MNL-05BFFT-SL8001	
Certified NMEA 2000 (8A, 250V)	UMN-05AMMT-SL8001	UMN-05AFFT-SL8001	

* Design and specification are subject to change without notice.

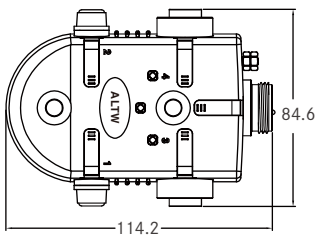
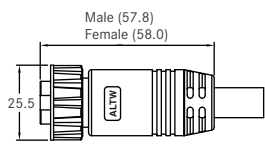
∟ Mini > Adaptor > T-Adaptor

• Mated IP68		
Type	Part Number	
None- Certified NMEA 2000 (8A, 300V)	MN-050505-FMF-TS001	
Certified NMEA 2000 (8A, 300V)	UMN-050505-FMF-TS001	

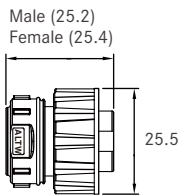
∟ Mini > Adaptor > Elbow

• Mated IP68		
Type	Part Number	
None- Certified NMEA 2000 (8A, 300V)	MN-000505-0FM-ES001	

➤ Mini > Power Tap Tee

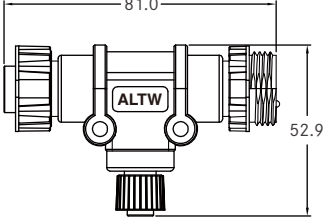
<ul style="list-style-type: none"> • With replaceable fuse • Mated IP68 		<p>Recommended Mating Pair MN-04AFFM-SL8DXX</p> <p>Male (57.8) Female (58.0)</p>  <p><small>*XX: Cable length available in 1(0)1, 2(0)2, 5(0)5, 10(10)M.</small></p>
Type	Part Number	
None- Certified NMEA 2000 (8A, 250V)	N-455000-MFF000-S001	
Certified NMEA 2000 (8A, 250V)	U-455000-MFF000-S001	

➤ Mini > Cap > Waterproof Cap

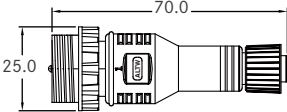
<ul style="list-style-type: none"> • 5 Contacts • Screw Thread • Mated IP68 				
Size	Mating Pair	Mating Style	Mating Gender	Part Number
Mini	Receptacle and Overmolded with Cable	Screw Thread	Female	CAP-WMNMSMA1
			Male	CAP-WMNFSA1

* Design and specification are subject to change without notice.

↳ Mini to Micro > Adaptor > T-Adaptor

• Mated IP68	
Type	Part Number
None- Certified NMEA 2000 (4A, 60V)	NC-050505-FMF-TS001
Certified NMEA 2000 (4A, 60V)	UNC-050505-FMF-TS001

↳ Mini to Micro > I-Adaptor

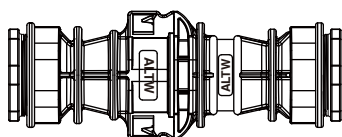
• Mated IP68	
Type	Part Number
None- Certified NMEA 2000 (4A, 60V)	NC-000505-0MF-IS001

Cable Joiner Connector



Range Overview

Field Installable



° Certificate:
ETL: UL6703A
TUV: 2 pfg 1915

M32



M20

Specification

Identifications (Cable OD)	6~10 mm, 8~10mm, 10~12mm, 12~16mm
Material	M20: Nylon M32: PPE
Waterproof Rating	IP67
Temperature Range	Field Installable: PPE: -40°C~105°C Nylon: -40°C~105°C

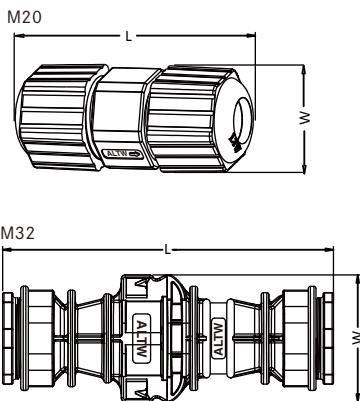
Ordering Information

	1	2	3	4	5	6	7
Specification							
(CX) Cable Joiner							
No. of Conductor							
(00) None				(04) 4 Conductors			
Connector Body (Style)							
(B) For Cable without Strain Relief							
AWG (Terminal)							
(B) 14~16AWG				(C) 10~12AWG			
(O) No Terminal							
Size							
(M20) M20							
(M32) M32							
Waterproof Rating							
(7) IP 67							
Jacket OD							
(001) 12mm~16mm							
(002) 10mm~12mm							
(003) 8mm~16mm							

Physical Dimension

▾ Cable Joiner

Connector Dimension



Size \ Dimension	L	W	Cable OD	AWG (Terminal)
M20	56.0	25.4	6~10	-
M32	130.2	50.0	12~16	-
	130.2	50.0	10~12	-
	130.2	50.0	8~10	-
	130.2	50.0	8~10	14~16
	130.2	50.0	12~16	10~12
	130.2	50.0	10~12	10~12

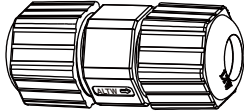
Unit: 00

【Note】 Design and specification are subject to change without notice.

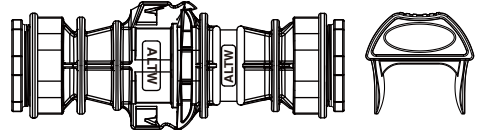
Find Our Standard Products

▾ Cable Joiner

M20



M32



- UV Resistant
- Unlock with tool
- Butt splice terminals optional
- ETL: UL6703A
- TUV: 2 pfg 1915

Size	AWG (Terminal)	Part Number
M20	Without Terminal (0)	CX-00B0M20-700 1
M32	14~16 (B)	CX-04BBM32-700 1
	10~12 (C)	CX-04BCM32-700 <u>XX</u> *
	Without Terminal (0)	CX-00B0M32-700 <u>XX</u> **

* M32 with terminal 10~12 AWG - Choose Cable OD: 10mm ~12mm / 12mm ~16mm

** M32 without terminal - Choose Cable OD: 8mm ~10mm / 10mm ~12mm / 12mm ~16mm

▾ Accessories > Unlock Tool

Customized - Upon Request

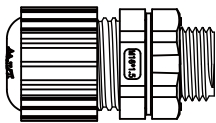
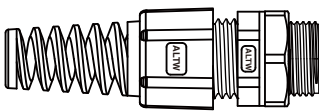
M32- Size	ULT-JOIN01
-----------	------------

Cable Gland

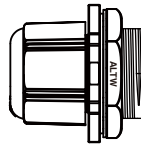


Range Overview

▷ Plastic Cable Gland



▷ Metal Cable Gland



Specification

Identifications	1"-20 UNF Metal, M8, M12, M16, M20, M25, M32, M40 PG7, PG9, PG11, PG13, PG16, PG29
Material	Connector Body (Plastic): Nylon 66, UL Recognized UV Resistant Connector Body (Metal): Zinc Alloy, Nickel plated (1"-20 Only)
Waterproof Rating	IP67~68
Temperature Range	Receptacle: -20°C ~ +105°C
More to know	Without Strain Relief / With Strain Relief Mating Style: Screw Thread

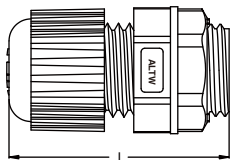
Ordering Information

	1	2	3
Specification			
(CSG) Cable Gland			
Screw Thread Type			
(20E) 1"-20 UNF Metal	(07G) PG7		
(08M) M8	(09G) PG9		
(12M) M12	(11G) PG11		
(16M) M16	(13G) PG13.5		
(20M) M20	(16G) PG16		
(25M) M25	(29G) PG29		
(32M) M32			
(40M) M40			
More information			
(001), (002), (003)...			

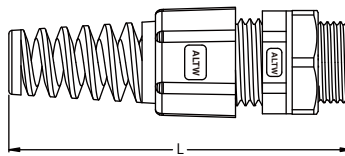
* Design and specification are subject to change without notice.

Physical Dimension

∟ Without Strain Relief



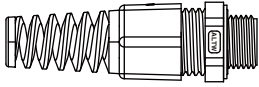
∟ With Strain Relief



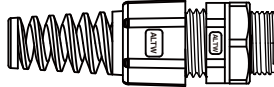
Size	Dimension (Without Strain Relief)		Dimension (With Strain Relief)		Maximum Panel Thickness
	Short	Long	Short	Long	
PG7	-	30.0mm	-	60.0mm	3.0mm
PG9	-	45.0mm	-	78mm	7.5mm
PG11	-	48.3mm	-	79.1mm	6.0mm
PG13	-	49.6mm	-	86.6mm	6.2mm
PG16	45.0mm	49.6mm	81.6mm	86.6mm	4.5mm (Short) 6.0mm (Long)
PG29	-	52.5mm	-	-	6.0mm
M8	22.0 mm	-	-	-	-
M12	30.0 mm	42.2mm	-	60.0mm	3.0mm
M16	40.0mm	45.0mm	75.3mm	78.0mm	3.0mm (Short) 7.5mm (Long)
M20	36.7mm	43.7mm	79.6 mm	86.6mm	6.2mm
M25	45.0mm	52.1mm	89.0 mm	96.0mm	6.2mm
M32	47.5 mm	52.5mm	-	-	6.0mm
M40	-	60.0mm	-	-	9.0mm
1"-20 UNF Metal	35.0mm		-	-	5.0mm

Find Our Standard Products

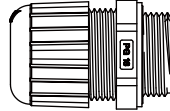
▾ Plastic Cable Gland



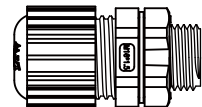
With Strain Relief / Without Screw Nut



With Strain Relief / With Screw Nut



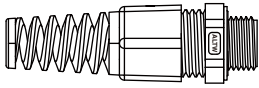
Without Strain Relief / Without Screw Nut



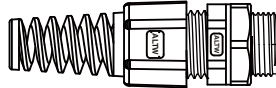
Without Strain Relief / With Screw Nut

	Thread Style	Cable OD	Part Number	Cable Information 3
PG Thread	PG7	4.5~6.5	CSG-07G00 3	001-Without strain relief ,Black 002-Without strain relief ,Gray 003-With strain relief ,Black 004-With strain relief ,Gray 005-Without strain relief ,Gray For Knock Hole
	PG9	6.0~10.0	CSG-09G00 3	001-Without strain relief ,Black 002-Without strain relief ,Gray 003-With strain relief ,Black 004-With strain relief ,Gray 005-Without strain relief ,Gray For Knock Hole
	PG11	6.0~10.0	CSG-11G00 3	001-Without strain relief ,Black 002-Without strain relief ,Gray 003-With strain relief ,Black 004-With strain relief ,Gray
	PG13	10.0~14.0	CSG-13G00 3	001-Without strain relief ,Black 002-Without strain relief ,Gray 003-With strain relief ,Black 004-With strain relief ,Gray
	PG16	10.0~14.0	CSG-16G00 3	001-Without strain relief ,Black (Long Body) 002-Without strain relief ,Gray (Long Body) 003-With strain relief ,Black (Long Body) 004-With strain relief ,Gray (Long Body)
				006-Without strain relief ,Gray (Short Body),without Screw Nut 007-Without strain relief ,Black (Short Body),without Screw Nut 008-With strain relief ,Black (Short Body),without Screw Nut 009-With strain relief ,Gray (Short Body)
				5.5~7.6
		Max 6.5	CSG-16G010	Without strain relief ,Black (Long Body) For RJ Cable Use
	PG29	16~22	CSG-29G00 3	001-Without strain relief ,Black 002-Without strain relief ,Gray
		18~25	CSG-29G00 3	003-Without strain relief ,Black 004-Without strain relief ,Gray

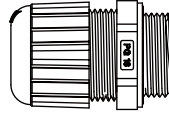
* Design and specification are subject to change without notice.



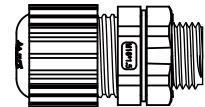
With Strain Relief / Without Screw Nut



With Strain Relief / With Screw Nut



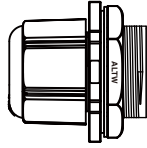
Without Strain Relief / Without Screw Nut



Without Strain Relief / With Screw Nut

	Thread Style	Cable OD	Part Number	Cable Information 3
Metric Thread	M8	2.5~3.0	CSG-08M00 3	001-Without strain relief,Black 002-Without strain relief ,Gray
	M12	4.5~6.5	CSG-12M00 3	001-Without strain relief,Black 002-Without strain relief ,Gray 003-With strain relief ,Black 004-With strain relief ,Gray 005-Without strain relief ,Black (Short Body),V0 F1 006-Without strain relief ,Black (Long Body),V0 F1
	M16	6.0~10.0	CSG-16M00 3	001-Without strain relief ,Black (Long Body) 002-Without strain relief ,Black (Long Body), UV Resistant 003-Without strain relief ,Gray (Long Body) 004-Without strain relief ,Black (Short Body) 005-Without strain relief ,Gray (Short Body) 006-With strain relief ,Black (Long Body) 007-With strain relief ,Gray (Long Body) 008-With strain relief ,Black (Short Body),without Screw Nut 009-With strain relief ,Gray (Short Body),without Screw Nut
	M20	10.0~14.0	CSG-20M00 3	001-Without strain relief ,Black (Long Body) 002-Without strain relief ,Black (Short Body),without Screw Nut 003-Without strain relief ,Gray (Long Body) 004-Without strain relief ,Gray (Short Body),without Screw Nut 005-With strain relief ,Black (Long Body) 006-With strain relief ,Gray (Long Body) 007-With strain relief ,Black (Short Body),without Screw Nut 008-With strain relief ,Gray (Short Body),without Screw Nut
	M25	13.0~18.0	CSG-25M00 3	001-Without strain relief ,Gray (Long Body) 002-Without strain relief ,Black (Short Body),without Screw Nut 003-Without strain relief ,Black (Long Body) 004-Without strain relief ,Gray (Short Body),without Screw Nut 005-With strain relief ,Black (Long Body) 006-With strain relief ,Gray (Long Body) 007-With strain relief ,Black (Short Body),without Screw Nut 008-With strain relief ,Gray (Short Body),without Screw Nut
	M32	16.0~22	CSG-32M00 3	001-Without strain relief ,Black (Long Body) 002-Without strain relief ,Gray (Long Body) 003-Without strain relief ,Black (Short Body),without Screw Nut 004-Without strain relief ,Gray (Short Body),without Screw Nut
		18.0~25.0	CSG-32M00 3	005-Without strain relief ,Black (Long Body) 006-Without strain relief ,Gray (Long Body) 007-Without strain relief ,Black (Short Body),without Screw Nut 008-Without strain relief ,Gray (Short Body),without Screw Nut
	M40	20~25	CSG-40M00 3	001-Without strain relief ,Black (Long Body) 002-Without strain relief ,Gray (Long Body)
		24~32	CSG-40M00 3	003-Without strain relief ,Black (Long Body) 004-Without strain relief ,Gray (Long Body)

↳ **Metal Cable Gland**



	Thread Style	Cable OD	Part Number	Cable Information
Unified Screw Thread	1"-20 UNF Metal	5.5-7.0	CSG-20E001	Without strain relief, Silver
		7.8-9.3	CSG-20E002	Without strain relief, Silver

* Design and specification are subject to change without notice.

Vent Connector



Range Overview

Pic			
Assembly Type	Screw M12 x 1.25	Screw M12 x 1.5	M12 x 1.5 Metal
Pic			
Assembly Type	Screw M12 x 1.5 with Nut	Snap-in	

Ordering Information

1 - 2 3

Specification
(VENT) Vent

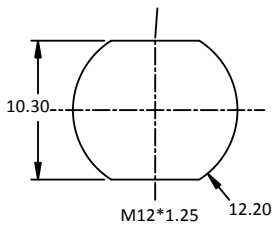
Type
(BD) M12 x 1.25 (BJ) M12 x 1.5

More Information
> For Receptacle
001, 002, 003.....
Without Cable: Different Versions

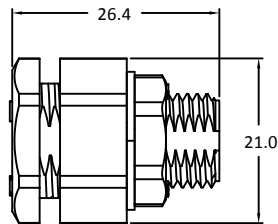
Physical dimension

Receptacle

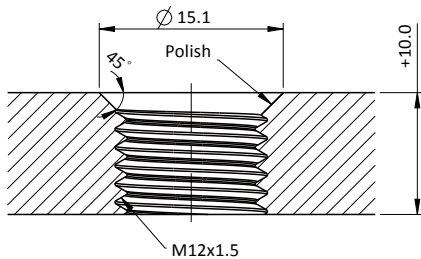
M12* 1.25
Panel Cut-Out



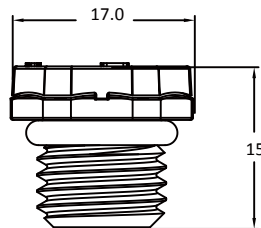
Connector Dimension



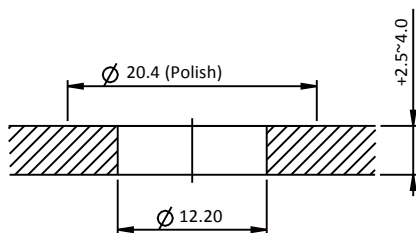
M12* 1.5
Panel Section



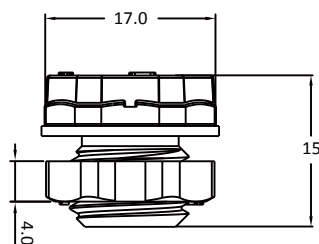
Connector Dimension



M12* 1.5
Panel Section



Connector Dimension

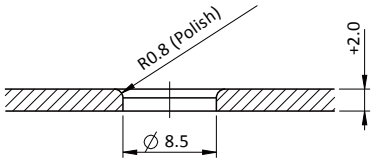


* Design and specification are subject to change without notice.

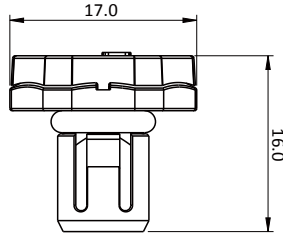
Physical dimension

└ Receptacle

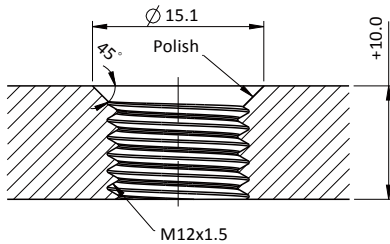
Snap-in
Panel Section



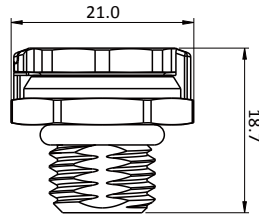
Connector Dimension



M12*1.5
Panel Section

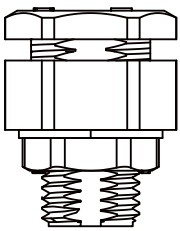


Connector Dimension



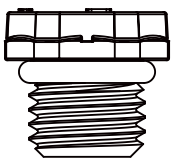
Find Our Standard Products

└ Screw M12 x 1.25



P/N	Air Permeability
VENT-BD001	12sec/100cm ³
VENT-BD002	10sec/100cm ³

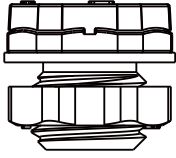
└ Screw M12 x 1.5



P/N	Air Permeability
VENT-BJ001	>260ml/min @70mbar
VENT-BJ004	>450ml/min @70mbar

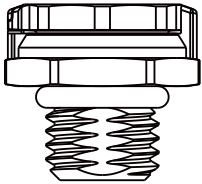
Find Our Standard Products

⌵ Screw M12 x 1.5 with Nut



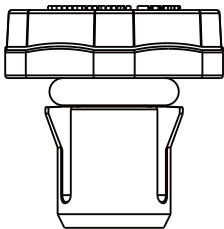
P/N	Air Permeability
VENT-BJ002	>260ml/min @70mbar

⌵ Screw M12 x 1.5 with Nut



P/N	Air Permeability
VENT-BJ002	>260ml/min @70mbar

⌵ Screw M12 x 1.5 with Nut



P/N	Air Permeability
VENT-BJ002	>260ml/min @70mbar

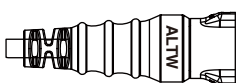
* Design and specification are subject to change without notice.

RBL Connector

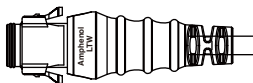


Range Overview

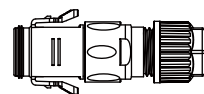
∟ In-line



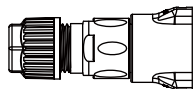
Overmolded with Cable



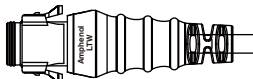
Overmolded with Cable



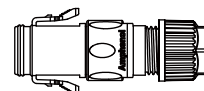
Field Installable



Field Installable

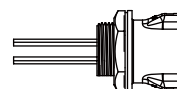


Overmolded with Cable

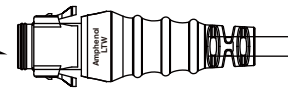


Field Installable

∟ Receptacle and Mating Pair

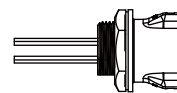


Receptacle

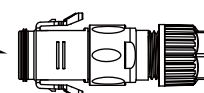


Overmolded with Cable

∟ Receptacle to Field Installable

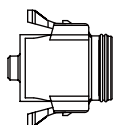


Receptacle



Field Installable

∟ Accessories



Waterproof Cap
See page 20-6

Specification

Identifications	C Size (Middle Size: 13/16"-28 UNS) / D-Size (Large Size:1"-28UNS)
Description	Receptacle Overmolded with Cable Field Installable
Current Rating / Data	5A, 10A, 20A
Material	Contacts: Copper Alloy, Tin Plated & Gold Plated (Selective) Connector Body (Housing) : m-PPE,540Z,Black
Waterproof Rating	IP67
Temperature Range	Receptacle: -40°C ~ +105°C Overmolded with Cable: -20°C~80°C Field Installable: -40°C~ +105°C
Contact Resistance	≤ 10mΩ
Insulation Resistance	≥ 100MΩ at DC500V
Durability	250 cycles
Breakdown Voltage	≥ AC1000V / 1 minute
More to know	Salt Spray Corrosion Test: 48H Standard Cable Length: 01~99M

【Note】 Design and specification are subject to change without notice.

Ordering Information

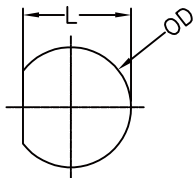
	1 - 2	3	4	5	6 - 7	8	9	10
Specification / Current Rating								
<u>>Middle size:13 / 16"-28 UNS</u>				<u>>>Large Size:1"-20UNS</u>				
(CD) 5A		(DD) 5A						
(CB) 10A		(DC) 20A						
Number of Contacts								
02、03、04.....								
EX. (04) = 4 Contacts								
Connector Body (Style)								
<u>> For Receptacle</u>			<u>> For Ovremolded with Cable</u>			<u>> For Field installable</u>		
(R) Rear Fastened			(A) With Strain Relief			(B) Without Strain Relief		
Connector (Housing) Gender								
(M) Male			(F) Female					
Contact Gender								
(M) Male								
(F) Female								
Assemble Style								
<u>> For Receptacle</u>			<u>> For Overmolded with Cable</u>					
(C) Crimp Type			(M) Overmolder with cable					
			<u>> For Field Installable</u>					
			(C) Field Installable(Crimp Type)					
Mating Style								
(R) Snap-in with Latch								
Backshell								
<u>> For Receptacle</u>			<u>> For Overmolded with Cable</u>			<u>> For Field</u>		
(C) Circular			(L) Straight			<u>Installable</u>		
(S) Square Flange			(R) Right Angle			(L) Straight		
Waterproof Rating								
(7) IP 67								
More information								
<u>> For Receptacle with Wireharness</u>				<u>> For Overmolded with Cable</u>				
(□) + (■) : Wire Type + Wire Length				(□) + (■) : Cable Type + Cable Length				
EX. (A10) = UL1015 Wire + 10 CM				EX. (01) = 1M				
<u>(□) : Wire Type</u>		<u>(■) : Wire Length</u>		<u>(□) : Cable Type</u>		<u>(■) : Cable Length</u>		
(A) UL1015 Wire		(10) 10CM		(A) UL2464 Cable		From 1M to 99M		
(B) UL1430 Wire		(30) 30CM						

Physical Dimension

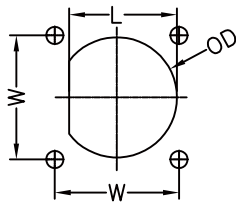
Receptacle

Panel Cut-Out

A Backshell: Circular



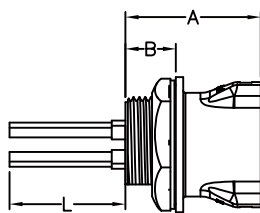
B Backshell: Square Flange



AMP		Dimension	Type	L	W	OD
Size	Current Rating (Code)	Female				
Middle Size	5A(CD)	A	19.4	-	22.3	20.8
		B				
	10A(CB)	A		-		
		B		22.3		
Large Size	5A(DD)	A	23.6	-	26.0	25.6
		B		26.0		
	20A(DC)	A		-		
		B		26.0		

Connector Dimension

A Backshell: Circular



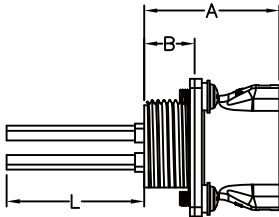
AMP		Dimension	A	B	OD	L(cm)	Panel Thickness Max
Size	Current Rating (Code)	Female					
Middle Size	5A(CD)	29.5	11.0	29.5	10 / 30	5.0	
	10A(CB)						
Large Size	5A(DD)	28.4	10.3	36.0	10 / 30	5.0	
	20A(DC)						

Physical Dimension

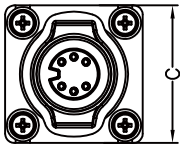
Receptacle

Connector Dimension

B Backshell: Square Flange

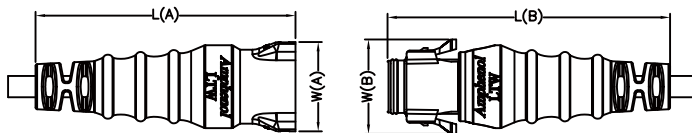


AMP		Dimension				L(cm)	Panel Thickness Max
Size	Current Rating (Code)	A	B	C	Female		
Middle Size	5A(CD)	29.5	11.0	30.0	10 / 30	-	
	10A(CB)						
Large Size	5A(DD)	28.4	10.3	36.0	10 / 30	-	
	20A(DC)						



Overmolded with Cable

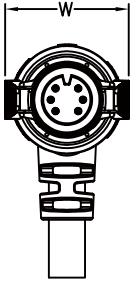
With Strain Relief / Straight



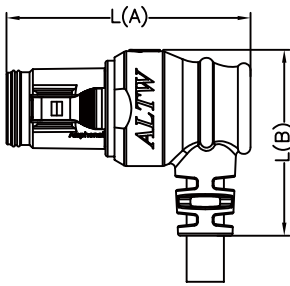
AMP		Dimension		L		W	
Size	Current Rating (Code)	Female (A)	Male (B)	Female (A)	Male (B)		
Middle Size	5A(CD)	79.4 (Ref.)	86.3 (Ref.)	27.3	28.8		
	10A(CB)						
Large Size	5A(DD)	90.0 (Ref.)	97.0 (Ref.)	32.5	34.3		
	20A(DC)						

Overmolded with Cable

With Strain Relief / Right Angle

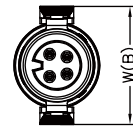
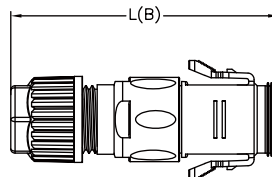
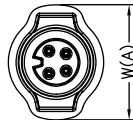
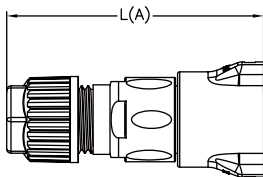


AMP		Dimension	L (A)	L (B)	W
Size	Current Rating (Code)	Male			
Middle Size	5A(CD)	53.8	40.6	28.8	
	10A(CB)				
Large Size	5A(DD)	-	-	-	
	20A(DC)				



Field Installable

Without Strain Relief / Straight



AMP		Dimension	L		W	
Size	Current Rating (Code)		Female (A)	Male (B)	Female (A)	Male (B)
Middle Size	5A(CD)	51.5 (Ref.)	56.2 (Ref.)	27.3	28.8	
	10A(CB)					
Large Size	20A(DC)	67.8 (Ref.)	71.3 (Ref.)	32.5	34.3	

Contact Configuration

▲ 5A ■ 10A ◆ 20A	Middle Size (C)									
	5A (CD)				10A (CB)					
	4	5	MM	FF	MF	FM	MM	FF	MF	FM
2 Pin (02)										
	C F	R C F	C F	R C F	C F	R C F	C F	R C F	C F	R C F
3 Pin (03)										
	C F	R C F	C F	R C F	C F	R C F	C F	R C F	C F	R C F
4 Pin (04)										
	C F	R C F	C F	R C F	C F	R C F	C F	R C F	C F	R C F
5 Pin (05)										
	C	C R	C	C R						
6 Pin (06)										
	C	C R	C	C R						
7 Pin (07)										
	C	C R	C	C R						
8 Pin (08)										
	C	C R	C	C R						
9 Pin (09)										
	C	C R	C	C R						
10 Pin (10)										
12 Pin (12)										
14 Pin (14)										
18 Pin (18)										

	Large Size (D)							
	5A (DD)				10A (DC)			
4 5	MM	FF	MF	FM	MM	FF	MF	FM
2 Pin (02)								
					C F	R C F	C F	R C F
3 Pin (03)								
					C F	R C F	C F	R C F
4 Pin (04)								
					C F	R C F	C F	R C F
5 Pin (05)								
6 Pin (06)								
7 Pin (07)								
8 Pin (08)								
9 Pin (09)								
10 Pin (10)								
	C	C R	C	C R				
12 Pin (12)								
	C	C R	C	C R				
14 Pin (14)								
	C	C R	C	C R				
18 Pin (18)								
	C	C R	C	C R				

R: Receptacle
C: Overmolded with cable
F: Field Installable



1 5A (CD/DD) 10A (CB) 20A (DC)

2 **Contact Number:**
 Ex. 2 Pin (02)

4 **Connector (Housing) Gender:**
 Male(M) or Female(F)

5 **Contact Gender:**
 Male(M) or Female(F)

6 **More to Choose:**
 • Crimp (C)

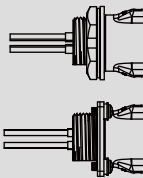
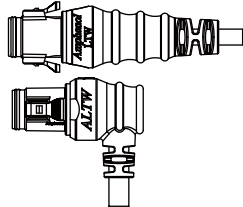
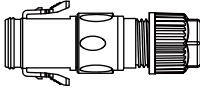



* More available: 1. Plated thickness

[Note] Design and specification are subject to change without notice.

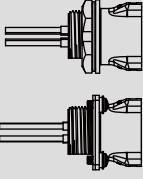
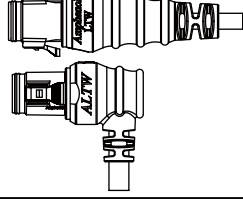
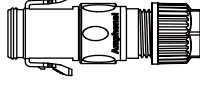
Find Our Standard Products

▾ Middle Size: 13/16"-28 UNS > Receptacle and Mating Pair

<ul style="list-style-type: none"> Female Connector (Housing) Snap-in with Latch 		Receptacle 	Overmolded with Cable 	Field Installable 
Current Rating (Code)	Contacts 2	Female Connector (F) Female Contacts (F)	Male Connector (M) Male Contacts (M)	Male Connector (M) Male Contacts (M)
5A (CD)	02 \ 03 \ 04 \ 05 \ 06 \ 07 \ 08 \ 09	CD- 2 RFFC-RC7BXX* CD- 2 RFFC-RS7BXX*	CD- 2 AMMM-RL7AXX** CD- 2 AMMM-RR7AXX**	CD-02BMMC-RL7001 CD-03BMMC-RL7001 CD-04BMMC-RL7001
10A (CB)	02 \ 03 \ 04	CB- 2 RFFC-RC7AXX* CB- 2 RFFC-RS7AXX*	CB- 2 AMMM-RL7AXX** CB- 2 AMMM-RR7AXX**	CB- 2 BMMC-RL7001

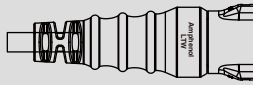
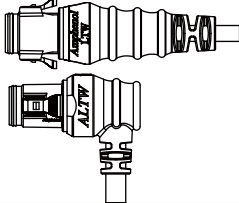
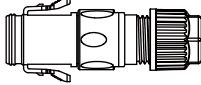
* XX: Receptacle With Wireharness: A10 - 10cm; A30 - 30cm
** XX: Choose the cable length from 01~99m

▾ Middle Size: 13/16"-28 UNS > Receptacle and Mating Pair

<ul style="list-style-type: none"> Female Connector (Housing) Snap-in with Latch 		Receptacle 	Overmolded with Cable 	Field Installable 
Current Rating (Code)	Contacts 2	Female Connector (F) Male Contacts (M)	Male Connector (M) Female Contacts (F)	Male Connector (M) Female Contacts (F)
5A (CD)	02 \ 03 \ 04 \ 05 \ 06 \ 07 \ 08 \ 09	CD- 2 RFMC-RC7BXX* CD- 2 RFMC-RS7BXX*	CD- 2 AMFM-RL7AXX* CD- 2 AMFM-RR7AXX*	CD-02.03.04BMFC-RL7001
10A (CB)	02 \ 03 \ 04	CB- 2 RFMC-RC7AXX* CB- 2 RFMC-RS7AXX*	CB- 2 AMMM-RL7AXX* CB- 2 AMFM-RR7AXX*	CB- 2 BMFC-RL7001

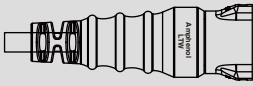
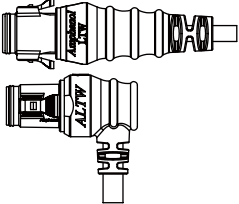
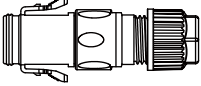
* XX: Receptacle With Wireharness: A10 - 10cm; A30 - 30cm
** XX: Choose the cable length from 01~99m

∟ Middle Size: 13/16"-28 UNS > In-Line

<ul style="list-style-type: none"> ● Female Connector (Housing) ● Snap-in with Latch 		Receptacle 	Overmolded with Cable 	Field Installable 
Current Rating (Code)	Contacts ②	Female Connector (F) Female Contacts (F)	Male Connector (M) Male Contacts (M)	Male Connector (M) Male Contacts (M)
5A (CD)	02、03、04、05、06、07、08、09	CD-② AFFM-RL7A \underline{XX} *	CD-② AMMM-RL7A \underline{XX} ** CD-② AMMM-RR7A \underline{XX} **	CD-02BMMC-RL7001 CD-03BMMC-RL7001 CD-04BMMC-RL7001
10A (CB)	02、03、04	CB-② AFFM-RL7A \underline{XX} *	CB-② AMMM-RL7A \underline{XX} ** CB-② AMMM-RR7A \underline{XX} **	CB-② BMMC-RL7001

* XX: Choose the cable length from 01~99m

∟ Middle Size: 13/16"-28 UNS > In-Line

<ul style="list-style-type: none"> ● Female Connector (Housing) ● Snap-in with Latch 		Receptacle 	Overmolded with Cable 	Field Installable 
Current Rating (Code)	Contacts ②	Female Connector (F) Male Contacts (F)	Male Connector (M) Female Contacts (M)	Male Connector (M) Female Contacts (M)
5A (CD)	02、03、04、05、06、07、08、09	CD-② AFFM-RL7A \underline{XX} *	CD-② AMFM-RL7A \underline{XX} ** CD-② AMFM-RR7A \underline{XX} **	CD-02BMMC-RL7001 CD-03BMMC-RL7001 CD-04BMMC-RL7001
10A (CB)	02、03、04	CB-② AFFM-RL7A \underline{XX} *	CB-② AMFM-RL7A \underline{XX} ** CB-② AMFM-RR7A \underline{XX} **	CB-② BMFC-RL7001

* XX: Choose the cable length from 01~99m

① — ② ③ ④ ⑤ ⑥ — ⑦ ⑧ ⑨ ⑩

【Note】 Design and specification are subject to change without notice.

∨ Middle Size: 13/16"-28 UNS >In-line

<ul style="list-style-type: none"> Female Connector (Housing) Snap-in with Latch 		Field Installable -----> Overmolded with Cable -----> Field Installable		
Current Rating (Code)	Contacts 2	Female Connector (F) Female Contacts (F)	Male Connector (M) Male Contacts (M)	Male Connector (M) Male Contacts (M)
5A (CD)	02 、 03 、 04	CD- 2 BFFC-RL7001	CD- 2 AMMM-RL7A \underline{XX} * CD- 2 AMMM-RR7A \underline{XX} *	CD- 2 BMMC-RL7001
10A (CB)	02 、 03 、 04	CB- 2 BFFC-RL7001	CB- 2 AMMM-RL7A \underline{XX} * CB- 2 AMMM-RR7A \underline{XX} *	CB- 2 BMMC-RL7001

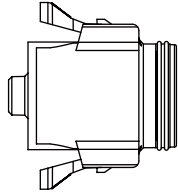
* XX: Choose the cable length from 01-99m

∨ Middle Size: 13/16"-28 UNS >In-line

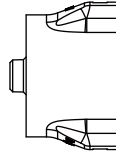
<ul style="list-style-type: none"> Female Connector (Housing) Snap-in with Latch 		Field Installable -----> Overmolded with Cable -----> Field Installable		
Current Rating (Code)	Contacts 2	Female Connector (F) Male Contacts (F)	Male Connector (M) Female Contacts (M)	Male Connector (M) Female Contacts (M)
5A (CD)	02 、 03 、 04	CD- 2 BFFC-RL7001	CD- 2 AMFM-RL7A \underline{XX} * CD- 2 AMFM-RR7A \underline{XX} *	CD- 2 BMFC-RL7001
10A (CB)	02 、 03 、 04	CB- 2 BFFC-RL7001	CB- 2 AMFM-RL7A \underline{XX} * CB- 2 AMFM-RR7A \underline{XX} *	CB- 2 BMFC-RL7001

* XX: Choose the cable length from 01-99m

↳ Accessories > Waterproof Cap



Mating Pair (Gender): Female



Mating Pair (Gender): Male

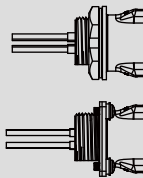

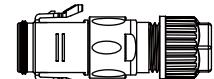
5 Choose Connector Gender Male (M) or Female (F)

Size	Mating Pair	Mating Style	Part Number
13/16"-28 UNS	Receptacle	Snap-in With Latch	CAP-WAC 5 RMA1
	Overmolded with Cable	Snap-in With Latch	
	Receptacle and Overmolded with Cable	Snap-in With Latch	

1 — 2 3 4 5 6 — 7 8 9 10

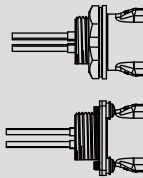
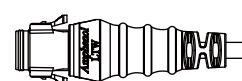
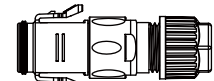
【Note】 Design and specification are subject to change without notice.

Large Size: 1"-20UNS >Receptacle and Mating Pair

<ul style="list-style-type: none"> Female Connector (Housing) Snap-in with Latch 		Receptacle 	Overmolded with Cable 	Field Installable 
Current Rating (Code)	Contacts 2	Female Connector (F) Female Contacts (F)	Male Connector (M) Male Contacts (M)	Male Connector (M) Male Contacts (M)
5A (DD)	10、12、14、18	DD-2 RFFC-RC7A ^{XX} * DD-2 RFFC-RS7A ^{XX} *	DD-2 AMMM-RL7A ^{XX} **	--
20A (DC)	02、03、04	DC-2 RFFC-RC7A ^{XX} * DC-2 RFFC-RS7A ^{XX} *	DC-2 AMMM-RL7A ^{XX} **	DC-2 BMMC-RL7001

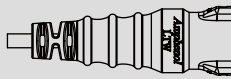
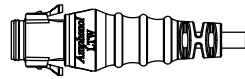
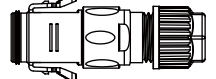
* XX: Receptacle With Wireharness: A10 - 10cm; A30 - 30cm
** XX: Choose the cable length from 01~99m

Large Size: 1"-20UNS >Receptacle and Mating Pair

<ul style="list-style-type: none"> Female Connector (Housing) Snap-in with Latch 		Receptacle 	Overmolded with Cable 	Field Installable 
Current Rating (Code)	Contacts 2	Female Connector (F) Male Contacts (M)	Male Connector (M) Female Contacts (F)	Male Connector (M) Female Contacts (F)
5A (DD)	10、12、14	DD-2 RFMC-RC7A ^{XX} * DD-2 RFMC-RS7A ^{XX} *	DD-2 AMFM-RL7A ^{XX} **	--
20A (DC)	02、03、04	DC-2 RFMC-RC7A ^{XX} * DC-2 RFMC-RS7A ^{XX} *	DC-2 AMFM-RL7A ^{XX} **	DC-2 BMFC-RL7001

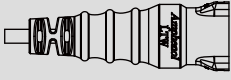
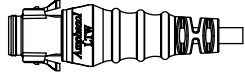
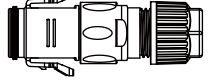
* XX: Receptacle With Wireharness: A10 - 10cm; A30 - 30cm
** XX: Choose the cable length from 01~99m

∟ Large Size: 1"-20UNS >In-Line

<ul style="list-style-type: none"> Female Connector (Housing) Snap-in with Latch 		Receptacle 	Overmolded with Cable 	Field Installable 
Current Rating (Code)	Contacts ②	Female Connector (F) Female Contacts (F)	Male Connector (M) Male Contacts (M)	Male Connector (M) Male Contacts (M)
5A (DD)	10、12、14、18	DD-② AFFC-RL7A <u>XX</u> *	DD-② AMMM-RL7A <u>XX</u> **	--
20A (DC)	02、03、04	DC-② AFFC-RL7A <u>XX</u> *	DC-② AMMM-RL7A <u>XX</u> **	DC-② BMMC-RL7001

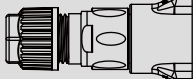
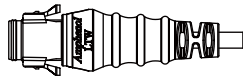
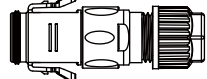
* XX: Choose the cable length from 01~99m

∟ Large Size: 1"-20UNS >In-Line

<ul style="list-style-type: none"> Female Connector (Housing) Snap-in with Latch 		Receptacle 	Overmolded with Cable 	Field Installable 
Current Rating (Code)	Contacts ②	Female Connector (F) Male Contacts (M)	Male Connector (M) Female Contacts (F)	Male Connector (M) Female Contacts (F)
5A (DD)	10、12、14	DD-② AFMC-RC7A <u>XX</u> *	DD-② AMFM-RL7A <u>XX</u> **	--
20A (DC)	02、03、04	DC-② AFMC-RC7A <u>XX</u> *	DC-② AMFM-RL7A <u>XX</u> **	DC-② BMFC-RL7001

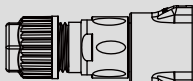
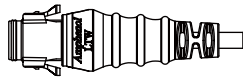
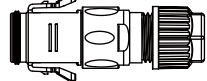
* XX: Choose the cable length from 01~99m

∟ Large Size: 1"-20UNS >In-Line

<ul style="list-style-type: none"> Female Connector (Housing) Snap-in with Latch 		Receptacle 	Overmolded with Cable 	Field Installable 
Current Rating (Code)	Contacts ²	Female Connector (F) Female Contacts (F)	Male Connector (M) Male Contacts (M)	Male Connector (M) Male Contacts (M)
5A (DD)	10、12、 14、18	--	DD- ² AMMM-RL7A <u>XX</u> **	--
20A (DC)	02、03、04	DC- ² RFFC-RL7A <u>XX</u> *	DC- ² AMMM-RL7A <u>XX</u> **	DC- ² BMMC-RL7001

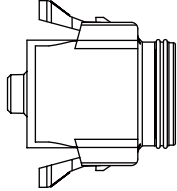
* XX: Choose the cable length from 01-99m

∟ Large Size: 1"-20UNS >In-Line

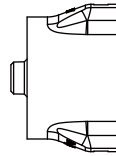
<ul style="list-style-type: none"> Female Connector (Housing) Snap-in with Latch 		Receptacle 	Overmolded with Cable 	Field Installable 
Current Rating (Code)	Contacts ²	Female Connector (F) Male Contacts (M)	Male Connector (M) Female Contacts (F)	Male Connector (M) Female Contacts (F)
5A (DD)	10、12、 14、18	--	DD- ² AMFM-RL7A <u>XX</u> **	--
20A (DC)	02、03、04	DC- ² RFMC-RL7A <u>XX</u> *	DC- ² AMFM-RL7A <u>XX</u> **	DC- ² BMFC-RL7001

* XX: Choose the cable length from 01-99m

∨ Accessories > Waterproof Cap



Mating Pair (Gender): Female



Mating Pair (Gender): Male

5 Choose Connector Gender Male (M) or Female (F)

Size	Mating Pair	Mating Style	Part Number
1"-20UNS	Receptacle	Snap-in With Latch	CAP-WAD 5 RMA1
	Overmolded with Cable	Snap-in With Latch	
	Receptacle and Overmolded with Cable	Snap-in With Latch	

1 — 2 3 4 5 6 — 7 8 9 10

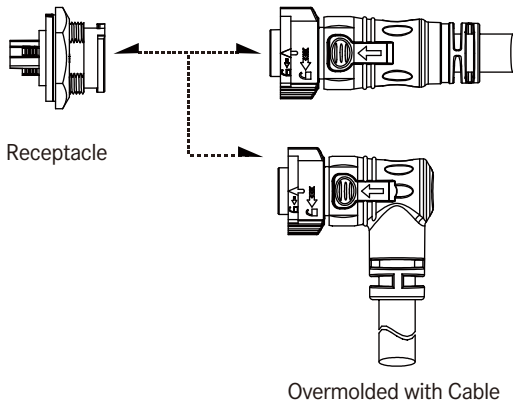
【Note】 Design and specification are subject to change without notice.

X-Lok Connector

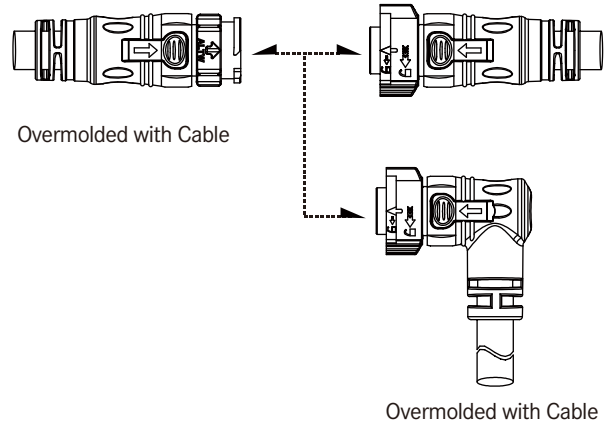


Range Overview

Receptacle to Overmolded with Cable



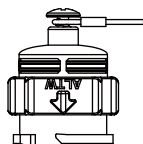
In Line



Accessories



Waterproof Cap



Waterproof Cap with
Fishe Line / Rubber Lead

Specification

Identifications	Power Group (B,C,D Size) Data Group (B,C,D Size)
Description	Receptacle Overmolded with Cable Field Installable (Upon Request)
Current Rating / Data	B Size (5A, 10A) C Size (5A, 10A, 20A) D Size (5A, 20A)
Material	Contacts: Copper Alloy, Gold Plated Connector Body (Housing) : Nylon+GF, UL Recognized Gasket & O-ring: Silicone
Waterproof Rating	IP68
Temperature Range	Receptacle: -40°C~105°C Overmolded With Cable: <ul style="list-style-type: none"> • Date group: -20°C~80°C • Power group:-20°C~105°C
Contact Resistance	≤ 10mΩ
Insulation Resistance	≥ 100MΩ at DC500V
Durability	1000 cycles
Breakdown Voltage	≥ AC 1600V / 1 minute
More to know	Salt Spray Corrosion: 48H Standard Cable Length: 01~99M

【Note】 Design and specification are subject to change without notice.

Ordering Information

1 - 2 3 4 5 6 - 7 8 9 10

Specification / Current Rating

>Standard Size >Middle Size
(BD) 5A **(CD)** 5A
(BB) 10A **(CB)** 10A
(CC) 20A
 >Large Size
(DD) 5A
(DC) 20A

Number of Contacts

02, 03....
 EX. **(02)** = 2 Contacts

Connector Body (Style)

> For Receptacle > For Overmolded with Cable
(P) Front Fastened **(A)** With Strain Relief
(R) Rear Fastened

Connector (Housing) Gender

(M) Male Connector **(F)** Female Connector

Contact Gender

(M) Male
(F) Female

Assemble Style

> For Receptacle > For Overmolded with Cable
(S) Solder Type **(M)** Overmolded with Cable
(B) Screw in Type

Mating Style

(Q) Push Lock

Backshell

> For Receptacle > For Overmolded with Cable
(C) Circular **(L)** Straight
(S) Square **(R)** Right Angle

Waterproof Rating

(8) IP 68

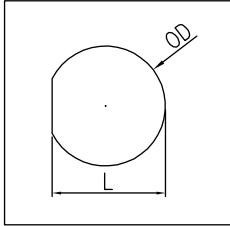
More Information

> For Receptacle > For Overmolded with Cable
(001), (002) **(□)**+**(■)** : Cable Type + Cable Length
 Without Cable : Different EX. **(A01)** = SJTW + 1M
 Versions **(□)** : Cable Type **(■)** : Cable Length
(A) UL2464 - Upon request From 1M to 99M
(D) UL 21388 - Data group EX. **(01)** = 1M
(E) SJTW - Power group

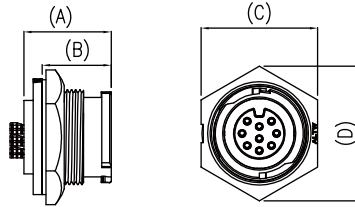
Physical Dimension | Data Group

Receptacle

Panel Cut-out



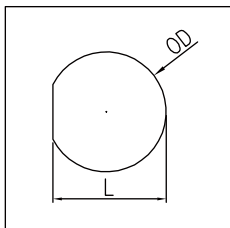
Front Fastened



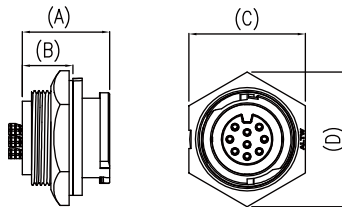
Size	Current Rating (Code)	L	OD	A	B	C	D	Pannel Thickness Max.
B	5A (BD)	14.8	15.6	18.8	14.0	20.6	23.7	4
	10A (BB)							
C	5A (CD)	19.4	20.8	19.0	15.0	25.4	29.3	4.2
	10A (CB)							
D	5A (DD)	23.6	25.6	18.0	14.9	28.6	33.0	3.6

Unit: mm

Panel Cut-out



Rear Fastened

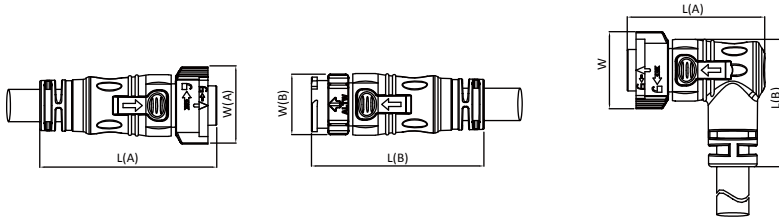


Size	Current Rating (Code)	L	OD	A	B	C	D	Panel Thickness Max.
B	5A (BD)	14.8	15.6	18.6	10.8	20.6	23.7	4.5
	10A (BB)							
C	5A (CD)	19.4	20.8	19.0	11.0	25.4	29.3	4.2
	10A (CB)							
D	5A (DD)	23.6	25.6	18.0	14.9	28.6	33.0	3.6

Unit: mm

[Note] Design and specification are subject to change without notice.

∟ Overmolded With Cable



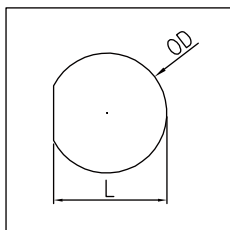
Size	Current Rating (Code)	Straight Style				Right Angle Style		
		L		W		L(A)	L(B)	W
		Female (A)	Male (B)	Female (A)	Male (B)	Female		
B	5A (BD)	53.4	53.0	25.0	20.1	45.2	34.0	25.0
	10A (BB)							
C	5A (CD)	64.1	62.7	28.0	22.4	50.0	46.2	28.0
	10A (CB)							
D	5A (DD)	62.4	61.8	36.0	27.0	63.0	49.5	36.0

Unit: mm

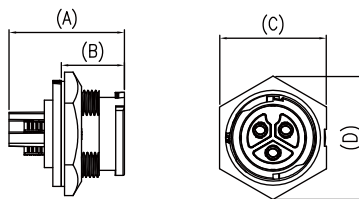
Physical Dimension | Power Group

∟ Receptacle

Panel Cut-out



Front Fastened

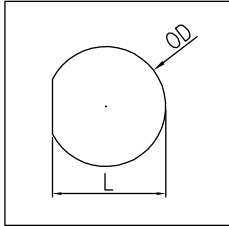


Size	Current Rating (Code)	L	OD	A	B	C	D	Panel Thickness Max.
B	5A (BD)	14.8	15.6	18.8	14.0	20.6	23.7	4
	10A (BB)							
C	20A (CC)	19.4	20.8	27.4	15.0	25.4	29.3	4.2
D	20A (DC)	23.6	25.6	26.3	14.9	28.6	33.0	3.6

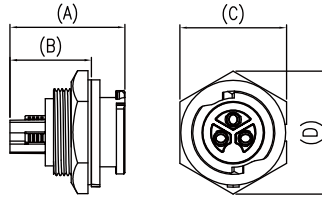
Unit: mm

Receptacle

Panel Cut-out



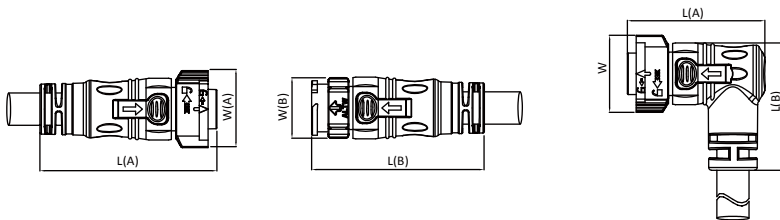
Rear Fastened



Size	Current Rating (Code)	L	OD	A	B	C	D	Panel Thickness Max.
B	5A (BD)	14.8	15.6	18.6	10.8	20.6	23.7	4.5
	10A (BB)							
C	20A (CC)	19.4	20.8	27.4	19.4	25.4	29.3	4.2
D	20A (DC)	23.6	25.6	26.3	18.1	28.6	33.0	3.6

Unit: mm

Overmolded With Cable






























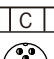


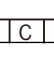


Size	Current Rating (Code)	Straight Style				Right Angle Style		
		L		W		L(A)	L(B)	W
		Female (A)	Male (B)	Female (A)	Male (B)	Female		
B	5A (BD)	53.4	53.0	25.0	20.1	45.2	34.0	25.0
	10A (BB)							
C	20A (CC)	64.1	62.7	28.0	22.4	50.0	46.2	28.0
D	20A (DC)	62.4	61.8	36.0	27.0	63.0	49.5	36.0

Unit: mm

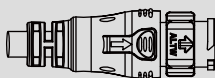
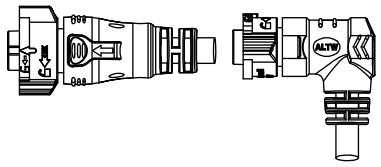


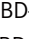



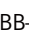

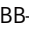
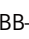
【Note】 Design and specification are subject to change without notice.

Contact Configuration

	Standard Size (B)				Middle Size (C)					
	Data / Power				Data				Power	
	5A (BD)		10A (BB)		5A (CD)		10A (CB)		20A (CC)	
4 5	MM or FF	MF or FM	MM or FF	MF or FM	MM or FF	MF or FM	MM or FF	MF or FM	MM or FF	MF or FM
2 Pin (02)										
	R C	R C	R C	R C					R C	R C
3 Pin (03)										
	R C	R C	R C	R C					R C	R C
4 Pin (04)										
	R C	R C	R C				R C	R C		
5 Pin (05)										
	R C	R C					R C	R C		
6 Pin (06)										
	R C	R C					R C			
7 Pin (07)										
	R C					R C				
8 Pin (08)										
	R C				R C	R C				
9 Pin (09)										
					R C	R C				
10 Pin (10)										
					R C					
12 Pin (12)										
					R C					
14 Pin (14)										
18 Pin (18)										

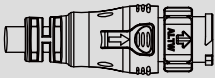
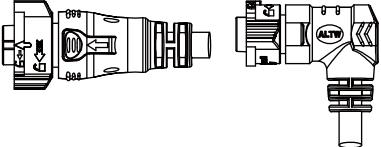










Find Our Standard Products

Standard Size: 5/8"-27 UNS > In-line

<ul style="list-style-type: none"> • Male Connector (Housing) • Male Contacts • Push Lock 				
Group	Current Rating (Code)	Contacts 	Male Connector (M) Male Contacts (M)	Female Connector (F) Female Contacts (F)
Data	5A (BD)	02,03,04, 05,06,07,08	BD-  AMMM-QL8DXX*	BD-  AFFM-QL8DXX* BD-  AFFM-QR8DXX*
	10A (BB)	02,03,04	BB-  AMMM-QL8DXX*	BB-  AFFM-QL8DXX* BB-  AFFM-QR8DXX*
Power	5A (BD)	03	BD-03AMMM-QL8EXX*	BD-03AFFM-QL8EXX* BD-03AFFM-QR8EXX*
	10A (BB)	02,03,04	BB-  AMMM-QL8EXX*	BB-  AFFM-QL8EXX* BB-  AFFM-QR8EXX*


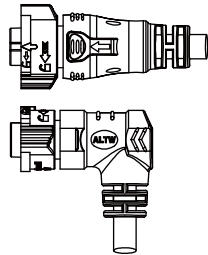
*XX: Choose the cable length from 01-99 m

Standard Size: 5/8"-27 UNS > In-line

<ul style="list-style-type: none"> • Male Connector (Housing) • Female Contacts • Push Lock 				
Group	Current Rating (Code)	Contacts 	Male Connector (M) Female Contacts (F)	Female Connector (F) Male Contacts (M)
Data	5A (BD)	02,03,04, 05,06	BD-  AMFM-QL8DXX*	BD-  AFMM-QL8DXX* BD-  AFMM-QR8DXX*
	10A (BB)	02,03	BB-  AMFM-QL8DXX*	BB-  AFMM-QL8DXX* BB-  AFMM-QR8DXX*
Power	5A (BD)	03	BD-03AMFM-QL8EXX*	BD-03AFMM-QL8EXX* BD-03AFMM-QR8EXX*
	10A (BB)	02,03	BB-  AMFM-QL8EXX*	BB-  AFMM-QL8EXX* BB-  AFMM-QR8EXX*

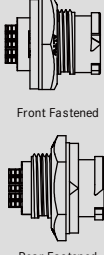
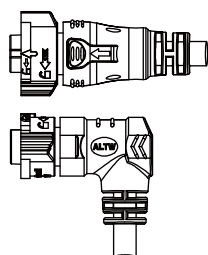
*XX: Choose the cable length from 01-99 m

Standard Size: 5/8"-27 UNS > Receptacle and Mating Pair

<ul style="list-style-type: none"> • Male Connector (Housing) • Male Contacts • Push Lock 			<p>Receptacle</p> 	<p>Overmolded with Cable</p> 
Group	Current Rating (Code)	Contacts ②	Male Connector (M) Male Contacts (M)	Female Connector (F) Female Contacts (F)
Data	5A (BD)	02,03,04,05,06,07,08	BD- ② PMMS-QC8001 BD- ② RMMS-QC8001	BD- ② AFFM-QL8DXX* BD- ② AFFM-QR8DXX*
	10A (BB)	02,03,04	BB- ② PMMS-QC8001 BB- ② RMMS-QC8001	BB- ② AFFM-QL8DXX* BB- ② AFFM-QR8DXX*
Power	5A (BD)	03	BD-03PMMS-QC8001 BD-03RMMS-QC8001	BD-03AFFM-QL8EXX* BD-03AFFM-QR8EXX*
	10A (BB)	02,03,04	BB- ② PMMS-QC8001 BB- ② RMMS-QC8001	BB- ② AFFM-QL8EXX* BB- ② AFFM-QL8RXX*

*XX: Choose the cable length from 01-99 m

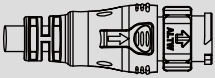
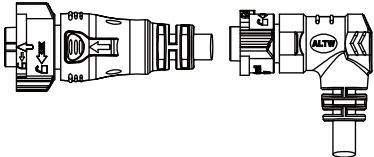


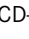
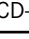

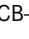

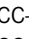
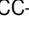
Standard Size: 5/8"-27 UNS > Receptacle and Mating Pair

<ul style="list-style-type: none"> • Male Connector (Housing) • Female Contacts • Push Lock 			<p>Receptacle</p> 	<p>Overmolded with Cable</p> 
Group	Current Rating (Code)	Contacts ②	Male Connector (M) Female Contacts (M)	Female Connector (F) Male Contacts (M)
Data	5A (BD)	02,03,04,05,06	BD- ② RMFS-QC8001 BD- ② RMFS-QC8001	BD- ② AFMM-QL8DXX* BD- ② AFMM-QR8DXX*
	10A (BB)	02,03	BB- ② RMFS-QC8001 BB- ② RMFS-QC8001	BB- ② AFMM-QL8DXX* BB- ② AFMM-QR8DXX*
Power	5A (BD)	03	BD-03RMFS-QC8001 BD-03RMFS-QC8001	BD-03AFMM-QL8EXX* BD-03AFMM-QR8EXX*
	10A (BB)	02,03	BB- ② RMFS-QC8001 BB- ② RMFS-QC8001	BB- ② AFMM-QL8EXX* BB- ② AFMM-QL8RXX*

*XX: Choose the cable length from 01-99 m

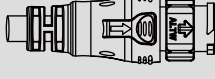
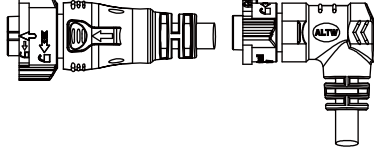



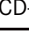




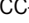
[Note] Design and specification are subject to change without notice.

∟ Middle Size 13/16"-28UNS > In Line

<ul style="list-style-type: none"> • Male Connector (Housing) • Male Contacts • Push Lock 			<p>Overmolded with Cable</p> 	<p>Overmolded with Cable</p> 
Group	Current Rating (Code)	Contacts 	Male Connector (M) Male Contacts (M)	Female Connector (F) Female Contacts (F)
Data	5A (BD)	08,09,10,12	CD-  AMMM-QL8DXX*	CD-  AFFM-QL8DXX* CD-  AFFM-QR8DXX*
	10A (BB)	04,05,06	CB-  AMMM-QL8DXX*	CB-  AFFM-QL8DXX*
Power	20A (CC)	02,03	CC-  AMMM-QL8EXX*	CC-  AFFM-QL8EXX* CC-  AFFM-QR8EXX*


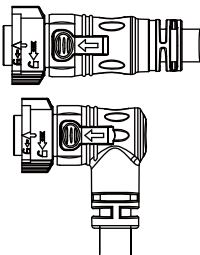
*XX: Choose the cable length from 01-99 m

∟ Middle Size 13/16"-28UNS > In Line

<ul style="list-style-type: none"> • Male Connector (Housing) • Female Contacts • Push Lock 			<p>Overmolded with Cable</p> 	<p>Overmolded with Cable</p> 
Group	Current Rating (Code)	Contacts 	Male Connector (M) Female Contacts (F)	Female Connector (F) Male Contacts (M)
Data	5A (BD)	07,08,09	CD-  AMFM-QL8DXX*	CD-  AFMM-QL8DXX* CD-  AFMM-QR8DXX*
	10A (BB)	04,05	CB-  AMFM-QL8DXX*	CB-  AFMM-QL8DXX*
Power	20A (CC)	02,03	CC-  AMFM-QL8EXX*	CC-  AFMM-QL8EXX* CC-  AFMM-QR8EXX*


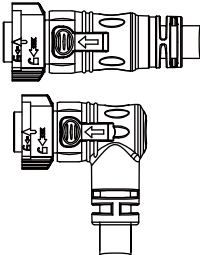
*XX: Choose the cable length from 01-99 m

➤ Middle Size 13/16"-28UNS > Receptacle and Mating Pair

<ul style="list-style-type: none"> • Male Connector (Housing) • Female Contacts • Push Lock 			<p>Receptacle</p>  <p>Front Fastened</p> <p>Rear Fastened</p>	<p>Overmolded with Cable</p> 
Group	Current Rating (Code)	Contacts ②	Male Connector (M) Male Contacts (M)	Female Connector (F) Female Contacts (F)
Data	5A (CD)	08,09,10,12	CD-② PMMS-QC8001 CD-② RMMS-QC8001	CD-② AFFM-QL8DXX* CD-② AFFM-QR8DXX*
	10A (CB)	04,05,06	CB-② PMMS-QC8001 CB-② RMMS-QC8001	CB-② AFFM-QL8DXX* CB-② AFFM-QR8DXX*
Power	20A (CC)	02,03	CC-② PMMS-QC8001 CC-② RMMS-QC8001	CC-② AFFM-QL8EXX* CC-② AFFM-QR8EXX*

*XX: Choose the cable length from 01-99 m

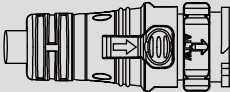
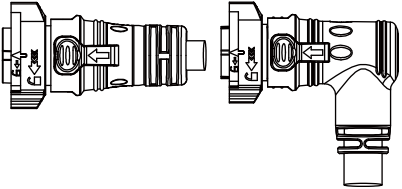
➤ Middle Size 13/16"-28UNS > Receptacle and Mating Pair

<ul style="list-style-type: none"> • Male Connector (Housing) • Female Contacts • Push Lock 			<p>Receptacle</p>  <p>Front Fastened</p> <p>Rear Fastened</p>	<p>Overmolded with Cable</p> 
Group	Current Rating (Code)	Contacts ②	Male Connector (M) Female Contacts (F)	Female Connector (F) Male Contacts (M)
Data	5A (CD)	07,08,09	CD-② PMFS-QC8001 CD-② RMFS-QC8001	CD-② AFMM-QL8DXX* CD-② AFMM-QR8DXX*
	10A (CB)	04,05	CB-② PMFS-QC8001 CB-② RMFS-QC8001	CB-② AFMM-QL8DXX* CB-② AFMM-QR8DXX*
Power	20A (CC)	02,03	CC-② PMFS-QC8001 CC-② RMFS-QC8001	CC-② AFMM-QL8EXX* CC-② AFMM-QR8EXX*

*XX: Choose the cable length from 01-99 m

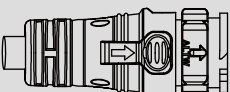
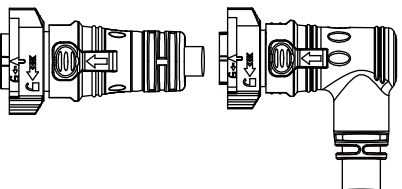
[Note] Design and specification are subject to change without notice.

∟ Large Size 1"-20UNEF > In Line

<ul style="list-style-type: none"> • Male Connector (Housing) • Male Contacts • Push Lock 			Overmolded with Cable ----->	Overmolded with Cable
				
Group	Current Rating (Code)	Contacts 2	Male Connector (M) Male Contacts (M)	Female Connector (F) Female Contacts (F)
Data	5A (DD)	14, 18	DD- 2 AMMM-QL8DXX*	DD- 2 AFFM-QL8DXX* DD-18AFFM-QR8DXX*
Power	20A (DC)	02,03,05	DC- 2 AMMM-QL8EXX*	DC- 2 AFFM-QL8EXX* DC- 2 AFFM-QR8EXX*

*XX: Choose the cable length from 01-99 m

∟ Large Size 1"-20UNEF > In Line

<ul style="list-style-type: none"> • Male Connector (Housing) • Female Contacts • Push Lock 			Overmolded with Cable ----->	Overmolded with Cable
				
Group	Current Rating (Code)	Contacts 2	Male Connector (M) Female Contacts (F)	Female Connector (F) Male Contacts (M)
Data	5A (DD)	12, 14, 18	DD- 2 AMFM-QL8DXX*	DD- 2 AFMM-QL8DXX* DD-18AFMM-QR8DXX*
Power	20A (DC)	02,03,05	DC- 2 AMFM-QL8EXX*	DC- 2 AFMM-QL8EXX* DC- 2 AFMM-QR8EXX*

*XX: Choose the cable length from 01-99 m

Large Size 1"-20UNEF > Receptacle and Mating Pair

<ul style="list-style-type: none"> • Male Connector (Housing) • Male Contacts • Push Lock 			<p>Receptacle -----> Overmolded with Cable</p> <p>Front Fastened</p> <p>Rear Fastened</p>	
Group	Current Rating (Code)	Contacts ②	Male Connector (M) Male Contacts (M)	Female Connector (F) Female Contacts (F)
Data	5A (DD)	14,18	DD- ② PMMS-QC800 1	DD- ② AFFM-QL8DXX* DD-18AFFM-QR8DXX*
Power	20A (DC)	02,03,05	DC- ② RMMS-QC800 1	DC- ② AFFM-QL8EXX* DC- ② AFFM-QR8EXX*

*XX: Choose the cable length from 01-99 m

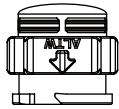
Large Size 1"-20UNEF > Receptacle and Mating Pair

<ul style="list-style-type: none"> • Male Connector (Housing) • Female Contacts • Push Lock 			<p>Receptacle -----> Overmolded with Cable</p> <p>Front Fastened</p> <p>Rear Fastened</p>	
Group	Current Rating (Code)	Contacts ②	Male Connector (M) Female Contacts (F)	Female Connector (F) Male Contacts (M)
Data	5A (DD)	12,14,18	DD- ② PMFS-QC800 1	DD- ② AFMM-QL8DXX* DD-18AFMM-QR8DXX*
Power	20A (DC)	02,03,05	DC- ② RMFS-QC800 1	DC- ② AFMM-QL8EXX* DC- ② AFMM-QR8EXX*

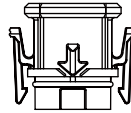
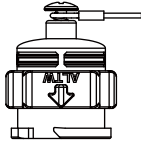
*XX: Choose the cable length from 01-99 m

[Note] Design and specification are subject to change without notice.

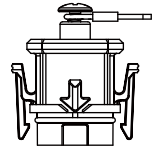
∨ Accessories > Waterproof Cap



For female connector



For male connector



3 More to choose: None (MA) / With Rubber Lead (PC)

4 More to choose: None (MA) / With Fish Line (CD)

5 More to choose: None (A) / With Fish Line (D)

Size	Mating Pair	Mating Style	Mating Pair (Gender)	P/N
Standard Size 5/8"-27 UNS	Receptacle	Push Lock	Male	CAP-WABMQ 3 1
	Overmolded with cable	Push Lock	Female	CAP-WABFQ 4 1
			Male	CAP-WABMQM 5 1
Middle Size 13/16"-28 UNS	Receptacle	Push Lock	Male	CAP-WACMQ 3 1
	Overmolded with cable	Push Lock	Female	CAP-WACFQ 4 1
			Male	CAP-WACMQM 5 1
Large Size 1/20" UNEF	Receptacle	Push Lock	Male	CAP-WADMQ 3 1
	Overmolded with cable	Push Lock	Female	CAP-WADFQ 4 1
			Male	CAP-WADMQM 5 1

Amphenol LTW Technology Co., Ltd.

5F-3, No.51, Sec.4, Zhongyang Rd., Tucheng Dist., New Taipei City 236, Taiwan
Telephone: +886-2-77416888 Fax: +886-2-77416999
www.amphenolltw.com

Kunshan Factory

No. 62, DaTong Road, Development Zone, Kunshan City, JiangSu Province, 215333 China
Telephone: +86-512-5761-0501
Fax: : +86-512-5761-0515

For further information, please contact :

Sales & Marketing Department | Email : sales@ltw-tech.com