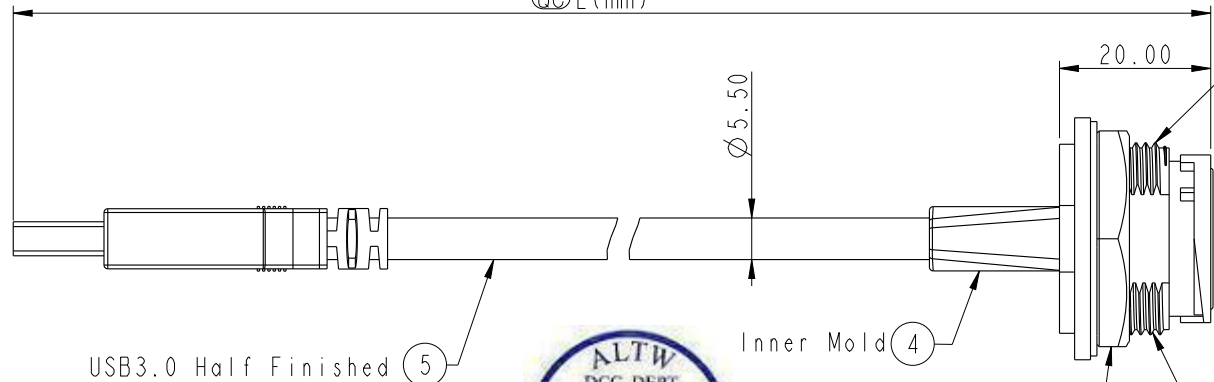


ALTW
CONFIDENTIAL
 2013-03-07
R&D DEPT.

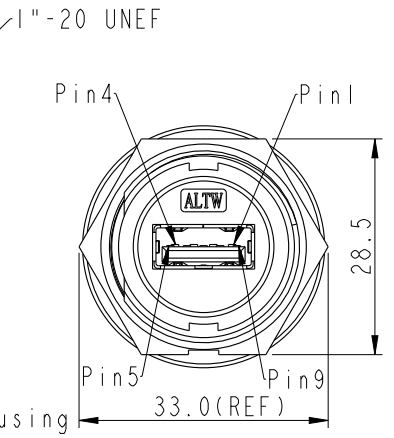
REV.	ECN NO.	DATE	SIGN	DESCRIPTION
A	Initial Release	2013-03-07	Tom_gu	Change Rev. I To Rev. A



Conn. 2



USB3.0 Half Finished (5)



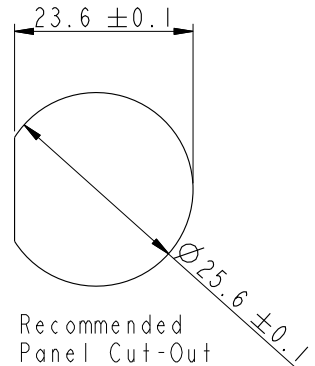
Conn. 1

Waterproof Rate: IP67

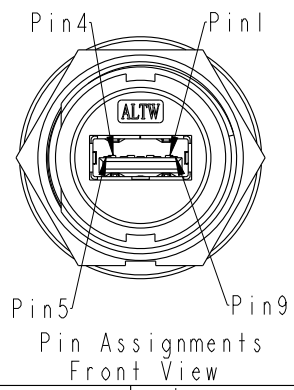
UA-30PMF-LD7B XX
 XX 100~300mm
 10 : 100mm
 30 : 300mm

With Liquid Glue

Gasket (3)



Recommended Panel Cut-Out



Pin Assignments Front View

Shield	Braid	編織	Shield	
9	Orange	28AWG 橙	9	Twist
8	Purple	28AWG 紫	8	
7	Drain	28AWG 地線	7	Twist
6	Yellow	28AWG 黃	6	
5	Blue	28AWG 藍	5	Twist
	Drain	28AWG 地線		
4	Black	28AWG 黑	4	Twist
3	Green	28AWG 綠	3	
2	White	28AWG 白	2	
1	Red	28AWG 紅	1	
Conn. 1	Wire Color		Conn. 2	
	Pin Out			

- * (C) Important Dimension.
- * Housing: ABS, Black
- * Screw Nut: Nylon+GF, Black
- * Gasket: Silicone, Gray
- * Jack: USB3.0-A Female Solder
- * Cable: USB 3.0, (IP*28#+D+Al/My)*2+IP*28#+2C*28#+F+Al+B, PVC Jacket, UV Resistant, OD=5.5mm, Black
- * Cable Length Tolerance: 100MM~300MM:±15mm
- * Use with waterproof cap or dust cap
Panel Thickness max: 2.8mm
- * Use without waterproof cap or dust cap
Panel Thickness max: 4.0mm
- * All of Drain twisted together.

Cable Length(L):100~300mm

UNIT:mm

TOLERANCE	
.X	±0.25
.XX	±0.1
.XXX	±0.05
ANGLES	±1°

TITLE USB3.0 Female Lock To A Plug			
SCALE 1:1	SIZE A4	SHEET 1 OF 1	
REV. A	WC-REV. A.1	(C): Inspection item	

Amphenol LTW
 安費諾亮泰企業股份有限公司

ITEM NO	DRAWN BY Tom_gu	DATE 2013-03-07
DWG NO UA-30PMF-LD7BXX	CHECKED BY Kevin_Wang	DATE 2013-03-07
CUSTOMER ALTW	APPROVED BY Victor	DATE 2013-03-07

THIS DOCUMENT IS SUBJECT TO CHANGE WITHOUT NOTICE. IT IS CONFIDENTIAL AND A PROPERTY OF AMPHENOL LTW. DISCLOSURE TO THIRD PARTY HAS TO BE AUTHORIZED BY AMPHENOL LTW.