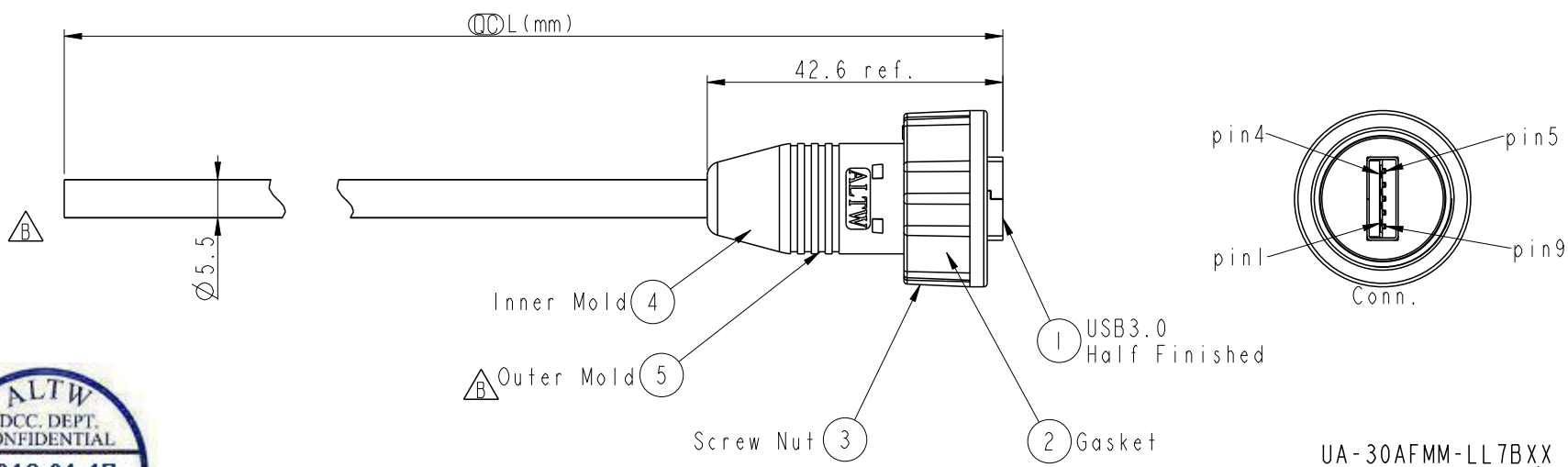


REV.	ECN NO.	DATE	SIGN	DESCRIPTION
B	LE31310053	2012/12/04	Kevin Wang	Modify the design and Note

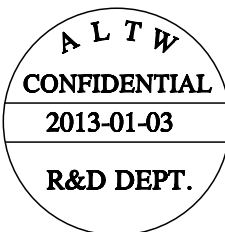


UA-30AFMM-LL7BXX

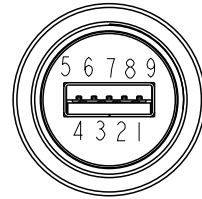
XX : 01~03Meters  
 01 : 01Meter  
 03 : 03Meters

Cable Length(L): 01~03Meters

- Note:
- \*  $\varnothing$  Important Dimension.
  - \* Waterproof Rate: IP67
  - \* Connector: USB3.0-A Male Solder, Black
  - \* Gasket: EPDM, Black
  - \* Cable: USB 3.0, (IP\*28#+D+Al/My)\*2+IP\*28#+2C\*28#+F+Al+B, Black, PVC Jacket, UV Resistant, OD=5.5mm
  - \* Cable Length Tolerance: 01M: ±40mm  
02M~03M: ±60mm
  - \* All of Drain twisted together.



Braid	編織	Shield	
Orange 28AWG	橙	9	Twist
Purple 28AWG	紫	8	
Drain 28AWG		7	
Yellow 28AWG	黃	6	Twist
Blue 28AWG	藍	5	
Drain 28AWG			Twist
Black 28AWG	黑	4	
Green 28AWG	綠	3	
White 28AWG	白	2	
Red 28AWG	紅	1	
Wire Color		Conn.	
Pin Out			



Pin Assignments Front View

UNIT:mm		TITLE USB 3.0, Cable Screw F Conn M Pin	<b>Amphenol LTW</b> 安費諾亮泰企業股份有限公司		ITEM NO	DRAWN BY Kevin Wang	DATE 2012/12/04
TOLERANCE ±0.5	SCALE 1:1	SIZE A4	SHEET 1	OF 1	DWG NO UA-30BFMM-SL7BXX	CHECKED BY Micky	DATE 2012/12/04
REV. B	WC-REV. A.3	$\varnothing$ : Inspection item			CUSTOMER ALTW	APPROVED BY Victor	DATE 2012/12/04

THIS DOCUMENT IS SUBJECT TO CHANGE WITHOUT NOTICE. IT IS CONFIDENTIAL AND A PROPERTY OF AMPHENOL LTW. DISCLOSURE TO THIRD PARTY HAS TO BE AUTHORIZED BY AMPHENOL LTW.