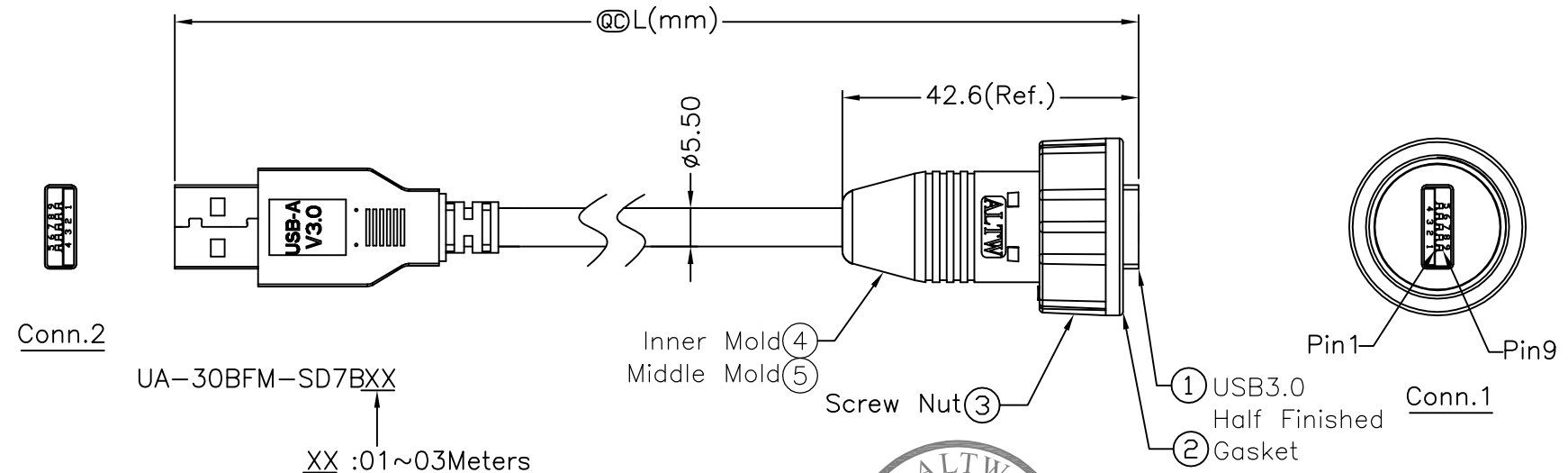


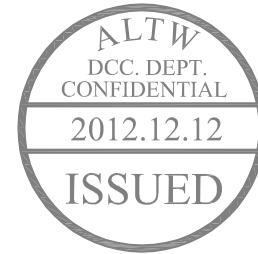
5	6	7	8
REV. A	ECN NO. Release	DATE 2012/12/06	SIGN Kevin Wang
			DESCRIPTION



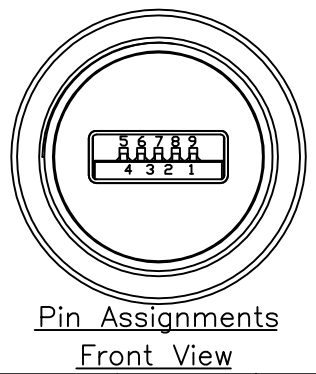
Conn.2

UA-30BFM-SD7BXX  
 XX :01~03Meters  
 01 :01Meter  
 03 :03Meters

Cable Length(L):01~03Meters



Shield	Braid	編織	Shield
9	Orange 28AWG	橙	9
8	Purple 28AWG	紫	8
7	Drain 28AWG		7
6	Yellow 28AWG	黃	6
5	Blue 28AWG	藍	5
	Drain 28AWG		
4	Black 28AWG	黑	4
3	Green 28AWG	綠	3
2	White 28AWG	白	2
1	Red 28AWG	紅	1
Conn.1	Wire Color		Conn.2



- Note:
- \* @D Important Dimension.
  - \* Waterproof Rate: IP67
  - \* Jack: USB3.0-A Male Solder
  - \* Gasket: EPDM, Black
  - \* Screw Nut: Nylon+GF, Black
  - \* Cable: USB 3.0, (1P\*28#+D+Al/My)\*2+1P\*28#+2C\*28#+F+Al+B, Black, PVC Jacket, UV Resistant, OD=5.5mm
  - \* Cable Length Tolerance: 01M:±40mm  
02M~03M:±60mm
  - \* All of Drain twisted together.

UNIT:mm	TITLE USB 3.0, Cable Screw F Conn M Pin to A Plug	<b>Amphenol LTW</b> 安費諾亮泰企業股份有限公司		ITEM NO	DRAWN BY Kevin Wang	DATE 2012/12/06
TOLERANCE ±0.5mm	SCALE Free	SHEET 1 OF 1		DWG NO UA-30BFM-SD7BXX	CHECKED BY Micky	DATE 2012/12/06
REV. A	SIZE A4	@C :Inspection Item		CUSTOMER ALTW	APPROVED BY Victor	DATE 2012/12/06

THIS DOCUMENT IS SUBJECT TO CHANGE WITHOUT NOTICE. IT IS CONFIDENTIAL AND A PROPERTY OF Amphenol LTW. DISCLOSURE TO THIRD PARTY HAS TO BE AUTHORIZED BY Amphenol LTW.

F  
F  
D  
C  
B  
A

1  
2  
3  
4  
5  
6  
7  
8