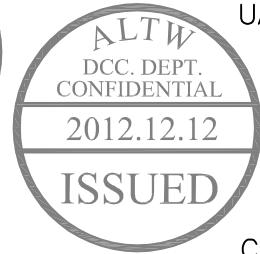
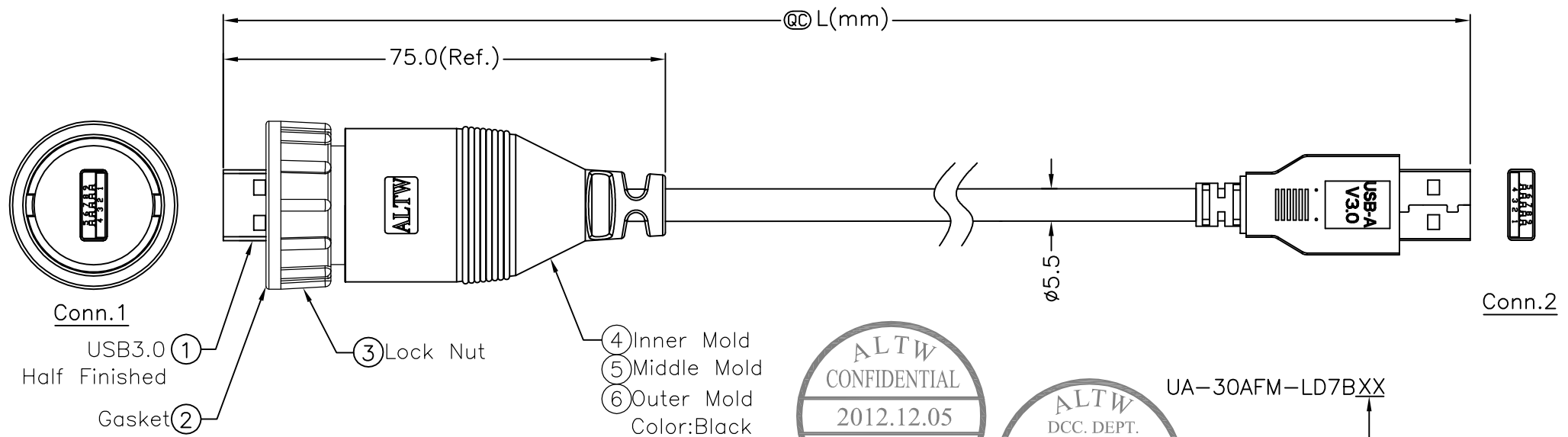


5	6	7	8
REV. A	ECN NO. Release	DATE 2012/12/05	SIGN Kevin Wang
			DESCRIPTION

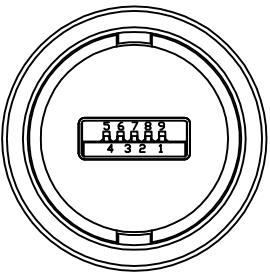
THIS DOCUMENT IS SUBJECT TO CHANGE WITHOUT NOTICE. IT IS CONFIDENTIAL AND A PROPERTY OF AMPHENOL LTW. DISCLOSURE TO THIRD PARTY HAS TO BE AUTHORIZED BY AMPHENOL LTW.



UA-30AFM-LD7BXX
 XX :01~03Meters
 01 :01Meter
 03 :03Meters
 Cable Length(L):01~03Meters

- Note:
- * @ Important Dimension.
 - * Waterproof Rate: IP67
 - * Connector: USB3.0-A Male, Black
 - * Gasket: Silicone, Gray
 - * Cable:USB 3.0,(1P*28#+D+AI/My)*2+1P*28#+2C*28#+F+AI+B, Black, PVC Jacket, UV Resistant,OD=5.5mm
 - * Cable Length Tolerance:01M:±40mm
02M~03M:±60mm
 - * All of Drain twisted together.

Shield	Braid	編織	Shield	
9	Orange 28AWG	橙	9	Twist
8	Purple 28AWG	紫	8	
7	Drain 28AWG		7	Twist
6	Yellow 28AWG	黃	6	
5	Blue 28AWG	藍	5	Twist
	Drain 28AWG			
4	Black 28AWG	黑	4	Twist
3	Green 28AWG	綠	3	
2	White 28AWG	白	2	
1	Red 28AWG	紅	1	
Conn.1	Wire Color		Conn.2	



Pin Assignments Front View

UNIT:mm	TITLE USB 3.0, Cable Lock F Conn M Pin To M Plug		Amphenol LTW		ITEM NO	DRAWN BY Kevin Wang	DATE 2012/12/05
TOLERANCE ±0.5mm	SCALE Free	SHEET 1 OF 1	安費諾亮泰企業股份有限公司		DWG NO UA-30AFM-LD7BXX	CHECKED BY Micky	DATE 2012/12/05
	REV. A	SIZE A4	:Inspection Item		CUSTOMER ALTW	APPROVED BY Maslow	DATE 2012/12/05