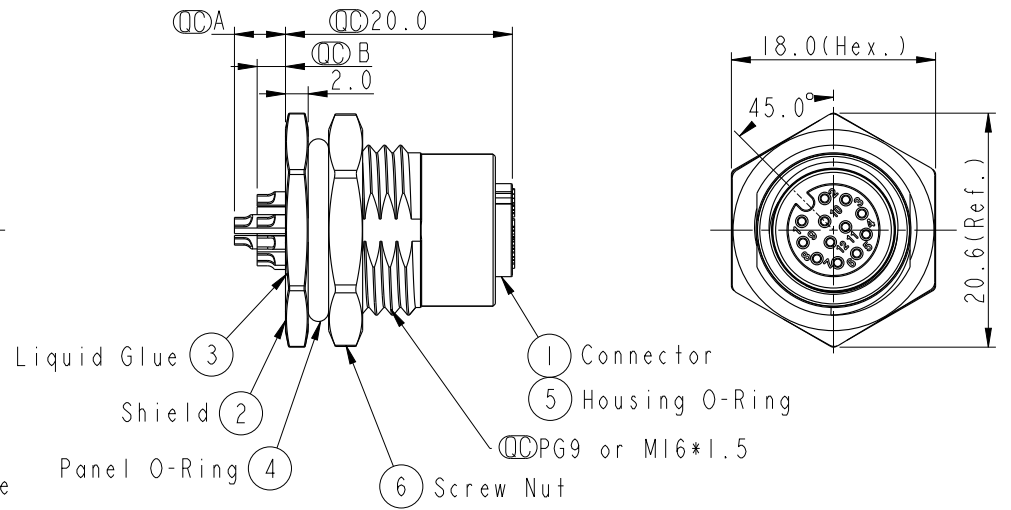
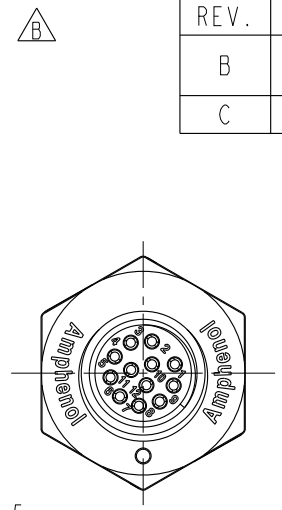
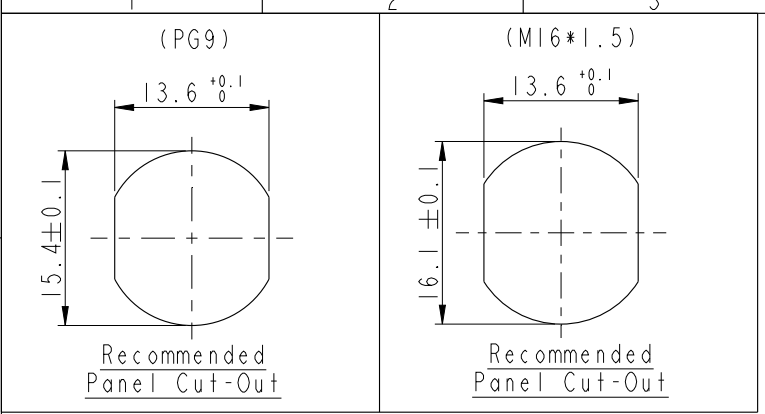


THIS DOCUMENT IS SUBJECT TO CHANGE WITHOUT NOTICE. IT IS CONFIDENTIAL AND A PROPERTY OF Amphenol LTW. DISCLOSURE TO THIRD PARTY HAS TO BE AUTHORIZED BY Amphenol LTW.

REV.	ECN NO.	DATE	SIGN	DESCRIPTION
B	LENI570203-210 LE31570188-191	2015/07/17	Yulong_wang	Change to Share Drawing.
C	LENI680907-918	2016/08/06	Yulong_wang	Add 6Pin & IP69K.



M 12A - XX P F F S - S F 8 XXX

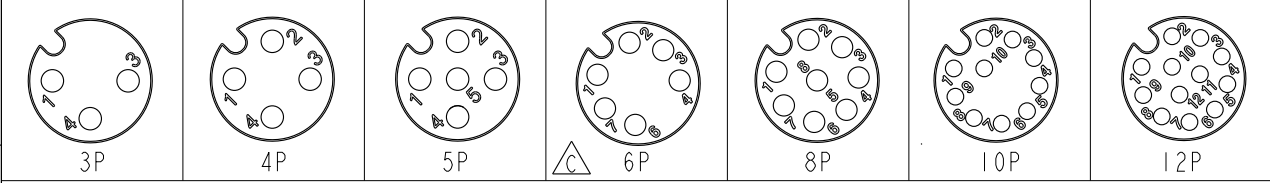
12A: A-Code

03: 3Pin  
04: 4Pin  
05: 5Pin  
06: 6Pin  $\triangle$   
08: 8Pin  
10: 10Pin  
12: 12Pin

P: Panel (板端)  
F: Female Connector (母座)  
S: Screw (螺紋式)  
S: Solder Type (焊接式)  
F: Female Pin (母Pin)

001: PG9  
002: M16\*1.5  
8: IP68/69K (防水等級68/69K)  $\triangle$

M12A-03PFFS-SF8XXX		2.5
M12A-04PFFS-SF8XXX		2.5
M12A-05PFFS-SF8XXX		2.5
M12A-06PFFS-SF8XXX		2.5
M12A-08PFFS-SF8XXX		2.5
M12A-10PFFS-SF8XXX	4.5	2.5
M12A-12PFFS-SF8XXX	4.5	2.5
Item No.	A	B
	Pin伸出長度	



Pin Assignment Front View

UNIT: mm	TOLERANCE	SCALE	SIZE	SHEET	OF
	.X ±0.25 .XX ±0.1 .XXX ±0.05 ANGLES ±1°	3:2	A4	1	1
	TITLE	REV.	WC-REV.	◎: Inspection item	
	M12 A-Code Female Conn. Solder Front Type	C	A.5		

**Amphenol LTW**  
安費諾亮泰企業股份有限公司

**ALTW**  
CONFIDENTIAL  
2016-08-06  
R&D DEPT.

**ALTW**  
DCC. DEPT.  
CONFIDENTIAL  
2016.08.19  
ISSUED

Note:

- \*  $\text{◎}$  Important Dimension.
- \*  $\triangle$  Waterproof Rate: IP68, IP69K.
- \* Housing: Nylon+GF, Black.
- \* Female Pin: Copper Alloy, Gold Plated.
- \* Shield: Zinc Alloy, Nickel Plated.
- \* Screw Nut: Zinc Alloy, Nickel Plated.
- \* Panel O-Ring: Viton, Black.
- \* Housing O-Ring: Viton, Green.
- \* Rated Voltage: 3 & 4Pin 250V dc. or ac.  
5Pin 60V dc. or ac.  
6~12Pin 30V dc. or ac.
- \* Rated Current: 3~5Pin 4A  
6~8Pin 2A  
10~12Pin 1.5A
- \* Operating Temperature: -40~105°C
- \* For Panel Thickness Max 4.5mm.
- \* Recommended Nut Torque: 4-6 Kgf.cm.

ITEM NO.	DRAWN BY	DATE
	Yulong_wang	2016-08-06
DWG NO.	CHECKED BY	DATE
M12A-XXPFFS-SF8XXX	Jinhai	2016-08-06
CUSTOMER	APPROVED BY	DATE
ALTW	Jerry	2016-08-06