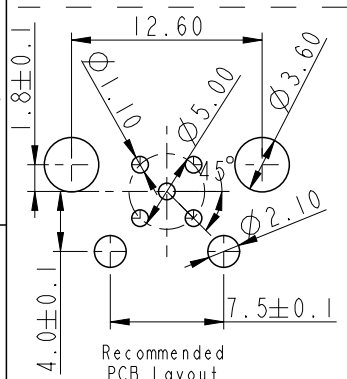
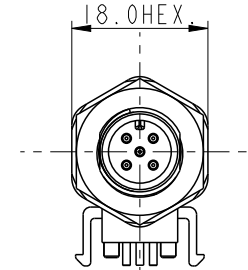
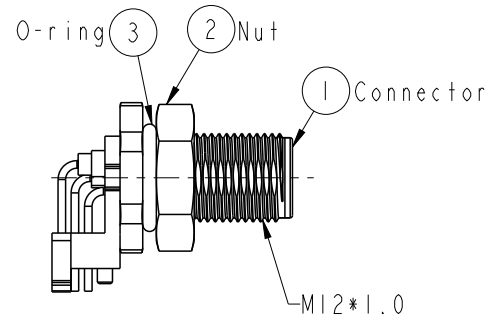
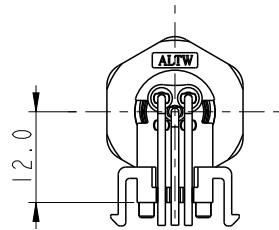
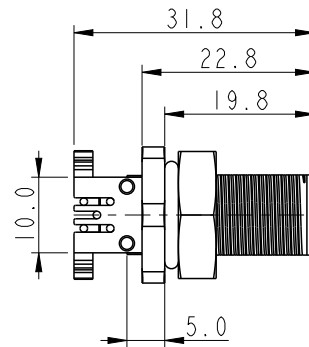
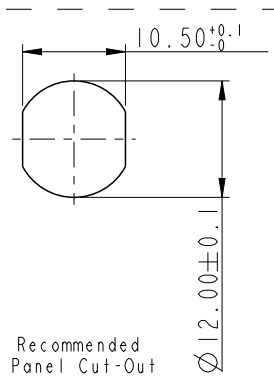
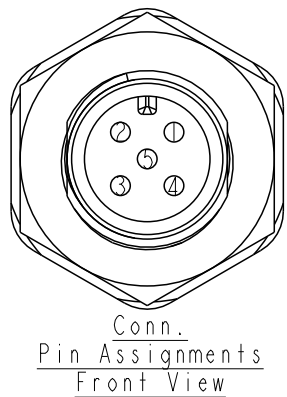


ALTW DCC.
2012.06.13
ISSUED

| REV. | ECN NO. | DATE | SIGN | DESCRIPTION |
|------|---------|------|------|-------------|
| | | | | |
| | | | | |



ALTW
CONFIDENTIAL
2012-06-06
R&D DEPT.



Note:

- * \varnothing Important Dimension To Check.
- * Waterproof Rate: IP68
IP68: 1M Depth Of Water In 24hours (防水等級: IP68)
(IP68: 1 米水深 24 小時)
- * Connector: Nylon+GF, Black
- * Male Pin: Copper Alloy, Gold Plated
- * Shell: Nylon+GF, Black
- * Nut: Nylon+GF, Black
- * O-ring: Silicon, Gray
- * Boardlock: PBT+PC, Black
- * For Panel Thickness Max. 4.0mm
- * For PCB Thickness Max. 1.6mm

| | | | | | | |
|------------|------|---|--------------------------------------|-------------------|-------------|------------|
| UNIT: mm | | TITLE | | ITEM NO. | DRAWN BY | DATE |
| | | SENSOR, M12, 90° PANEL 5PIN MCONN MPIN, PLASTIC | | 12P-05PMMR-SF8001 | Tao-cheng | 2012-06-06 |
| TOLERANCE | | SCALE | SIZE | DWG NO. | CHECKED BY | DATE |
| .X ±0.25 | | 1:1 | A4 | 12P-05PMMR-SF8001 | Jimmy | 2012-06-06 |
| .XX ±0.1 | REV. | WC-REV. | | CUSTOMER | APPROVED BY | DATE |
| .XXX ±0.05 | A | A.2 | | ALTW | Victor | 2012-06-06 |
| ANGLES ±1° | | | Amphenol LTW 安費諾亮泰企業股份有限公司 | | | |

THIS DOCUMENT IS SUBJECT TO CHANGE WITHOUT NOTICE. IT IS CONFIDENTIAL AND A PROPERTY OF Amphenol LTW. DISCLOSURE TO THIRD PARTY HAS TO BE AUTHORIZED BY Amphenol LTW.