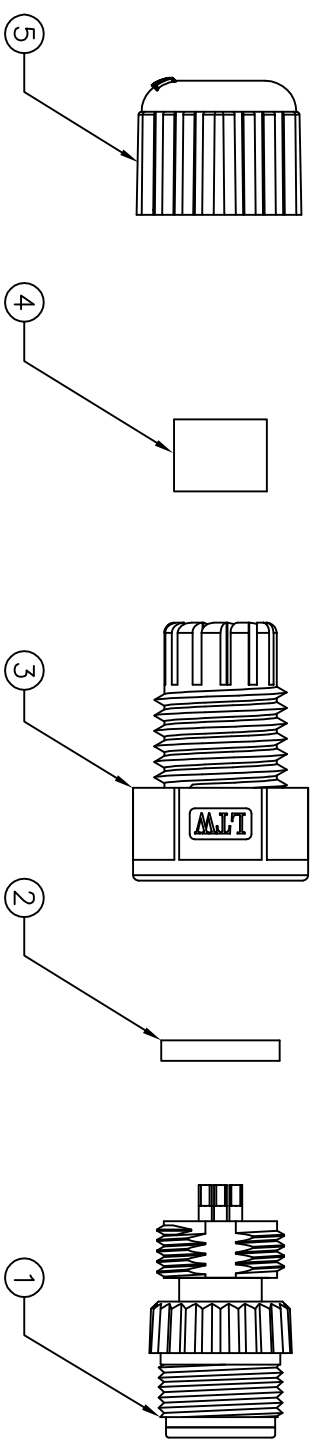
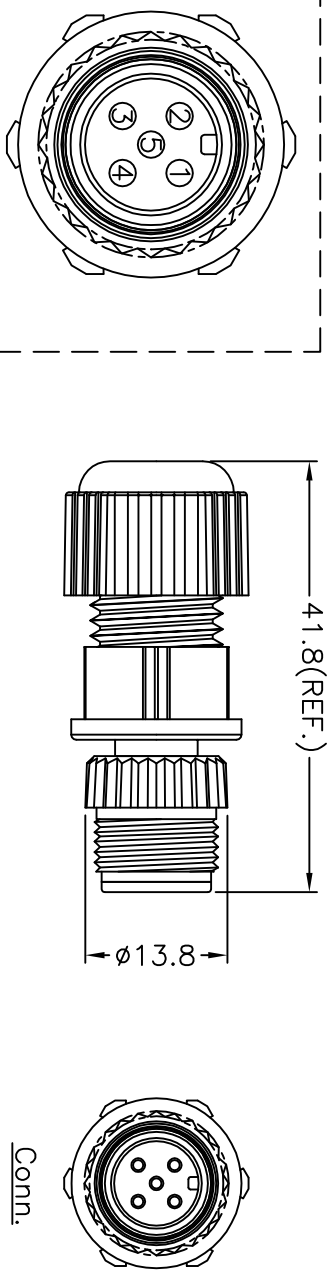


REV.	EGN. NO.	DATE	SIGN	DESCRIPTION



ALTW  
CONFIDENTIAL  
2006.12.21  
R&D DEPT.

ALTW  
DCC. DEPT.  
CONFIDENTIAL  
2007.01.02  
ISSUED



Pin Assignments  
Front View

- Note:
- \* @Important Dimension To Check.
  - \* Waterproof Rate: IP68
  - \* Housing: Black, Nylon+GF
  - \* Pin: Copper Alloy, Gold Plated
  - \* Nut: Black, Nylon+GF
  - \* Gasket: Black, EPDM
  - \* Clamp Ring: Black, Nylon
  - \* Sealing Nut: Black, Nylon
  - \* Seal: Black, EPDM
  - \* Seal For Cable OD:  $\phi 4.5\text{mm} \sim \phi 6.5\text{mm}$

UNIT:mm		TITLE	M12 Conn	SHEET	1 OF 1	ITEM NO	12P-05BMA-SL8001	DRAWN BY	Jason Mangas	DATE	2006/12/21
TOLERANCE	$\pm 0.5 \text{ mm}$	SCALE	Free	SIZE	A4	DWG NO	12P-05BMA-SL8001	CHECKED BY	Aian MJ Sundo	DATE	2006/12/21
REV.	A	DESCRIPTION	Assy Screw 5Pin M Conn M Pin	INSPECTION	Item	CUSTOMER	ALTW	APPROVED BY	Max Hung	DATE	2006/12/21
<h1>Amphenol LTW</h1> <p>安費諾亮泰企業股份有限公司</p>			<p>THIS DOCUMENT IS SUBJECT TO CHANGE WITHOUT NOTICE. IT IS CONFIDENTIAL AND A PROPERTY OF Amphenol LTW. DISCLOSURE TO THIRD PARTY HAS TO BE AUTHORIZED BY Amphenol LTW.</p>								