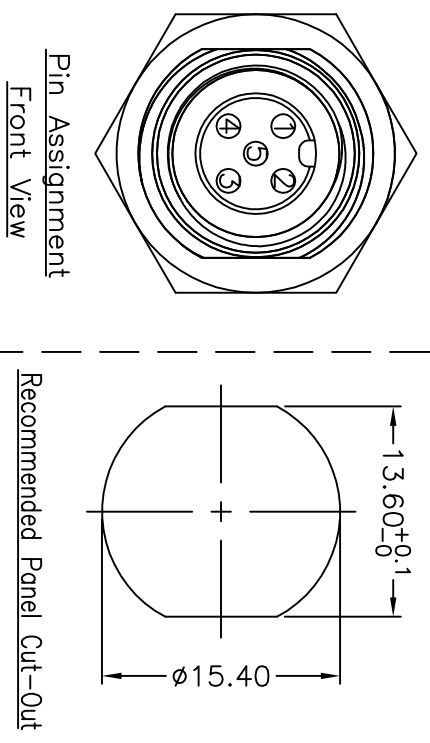
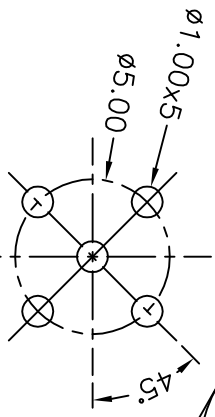
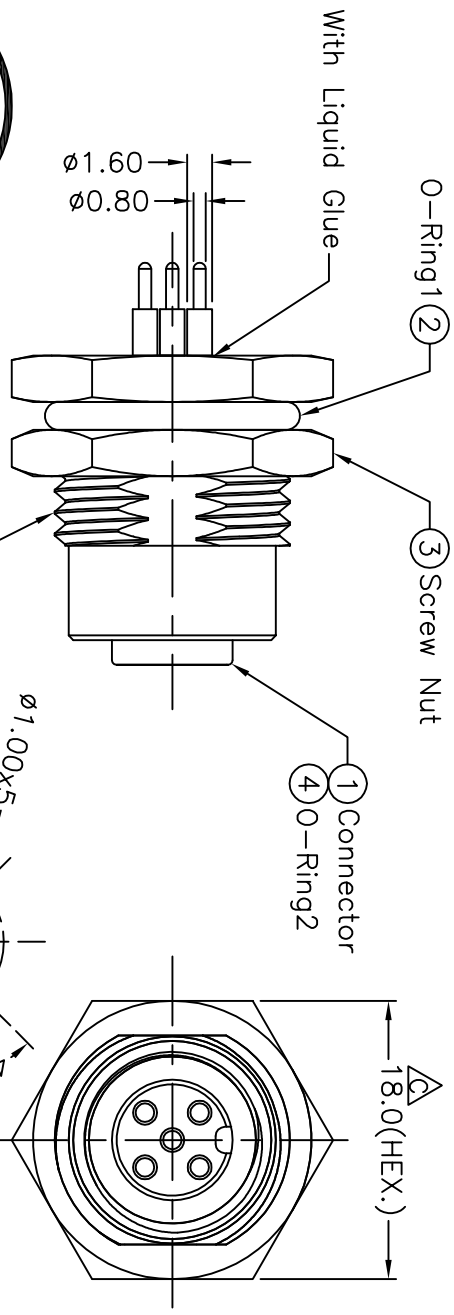
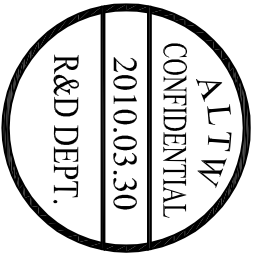
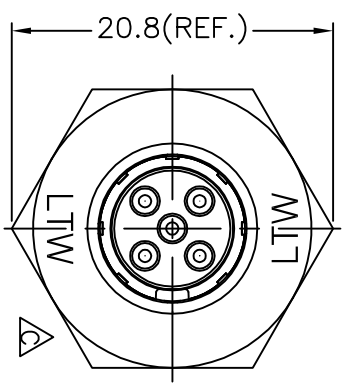
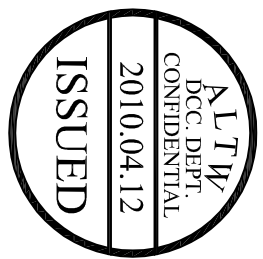


REV.	ECN NO.	DATE	SGN	DESCRIPTION
B	LEN-7A0016	2007/10/01	Zeus	Added Note
C	LEN-040045	2010/03/30	Vicky	REF. TO ECR/N.NOTE.



UNIT:mm		TITLE	M12 Conn
TOLERANCE		Panel Screw 5Pin F Conn F Pin	
.X	±0.25	SCALE	Free
.XX	±0.1	SIZE	A4
.XXX	±0.05	SHEET	1 OF 1
ANGLES	±1°	REV.	C
		Inspection Item	@@

Amphenol LTW
安費諾亮泰企業股份有限公司

ITEM NO	12-05PFFP-SF8001	DRAWN BY	Vicky	DATE	2010/03/30
DWG NO	12-05PFFP-SF8001	CHECKED BY	Simon	DATE	2010/03/30
CUSTOMER	ALTY	APPROVED BY	Lion	DATE	2010/03/30

- Note:
- * @D Important Dimension.
 - * Waterproof Rate:IP68.
 - IP68:1M Depth Of Water In 24hours.
 - * Housing:Nylon+GF,Black.
 - * Female Pin:Copper Alloy,Gold Plated.
 - * Shield:Zinc Alloy,Nickel Plated.
 - * Nut:Zinc Alloy,Nickel Plated.
 - * O-Ring1:EPDM,Black.
 - * O-Ring2:Viton,Green.
 - * For Panel Thickness Max 4.5mm.
 - * Nut Torque:4-6 Kgf.cm