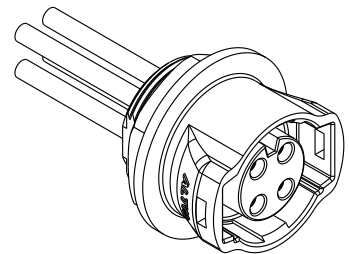
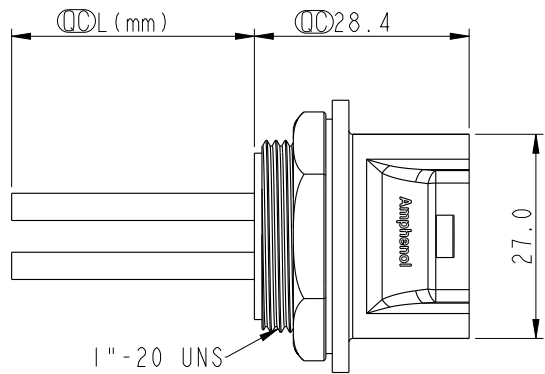
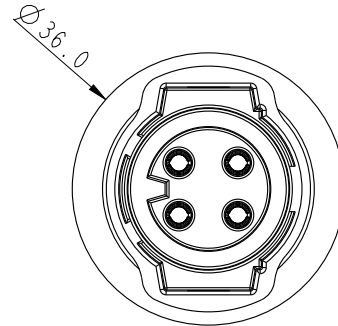
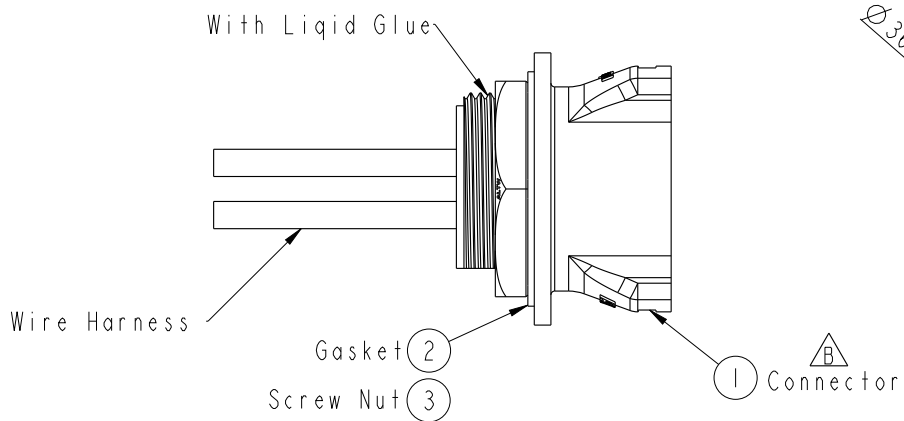


REV.	ECN NO.	DATE	SIGN	DESCRIPTION
B	LE315A0064~66	2015/09/23	Joyy	Update The Drawing

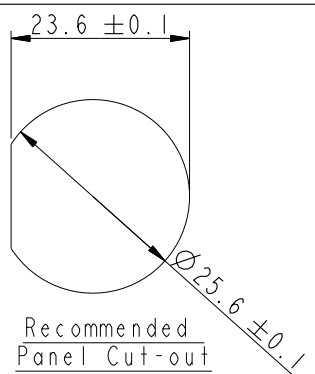
ALTW
CONFIDENTIAL
2015-09-23
R&D DEPT.



ALTW
DCC. DEPT.
CONFIDENTIAL
2015.10.20
ISSUED



- Note:
- * \varnothing Important Dimension To Check.
 - * Waterproof Rate: IP67
 - * Housing: M-PPE, Black.
 - * Female Pin: Copper Alloy, Gold Plated
 - * Gasket: Silicone, Gray.
 - * Screw Nut: Nylon+GF, Black.
 - * Wire Harness :UL1015 12#
 - * Panel Thickness Max: 5.0mm
 - * Recommended Nut Torque:4~7 kgf.cm
 - * Wire Harness Tolerance:100~300mm ± 15 mm
301~1000mm ± 20 mm
 - * Prohibiting the use of place in oils.



UNIT:mm TOLERANCE ± 0.5

TITLE LARGE PANEL RBL F CONN F PIN			
SCALE 1:1	SIZE A4	SHEET 1 OF 2	
REV. B	WC-REV. A.6	\varnothing : Inspection item	

Amphenol LTW
安費諾亮泰企業股份有限公司

ITEM NO	DRAWN BY Joyy	DATE 2015-09-23
DWG NO DC-XXRFFC-RC7AXX	CHECKED BY Lu Di	DATE 2015-09-23
CUSTOMER ALTW	APPROVED BY Jerry	DATE 2015-09-23

THIS DOCUMENT IS SUBJECT TO CHANGE WITHOUT NOTICE. IT IS CONFIDENTIAL AND A PROPERTY OF Amphenol LTW. DISCLOSURE TO THIRD PARTY HAS TO BE AUTHORIZED BY Amphenol LTW.

THIS DOCUMENT IS SUBJECT TO CHANGE WITHOUT NOTICE. IT IS CONFIDENTIAL AND A PROPERTY OF AMPHENOL LTW. DISCLOSURE TO THIRD PARTY HAS TO BE AUTHORIZED BY AMPHENOL LTW.

1 2 3 4 5 6 7 8

F

E

D

C

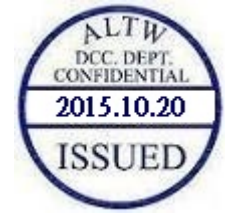
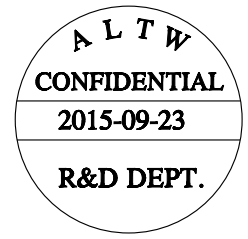
B

A

DC-XXRFFC-RC7AXX

Large Size Current Rating 20A
 XX: No. Of Pin (Pin 數)
 R: Panel Rear Mounting (後續嵌面板式)
 F: Female Connector (母座)
 F: Female Pin (母Pin)
 C: Crimp Type (壓線組裝式)

AXX : 100~1000mm
 A10 : 100mm
 A20 : 200mm
 :
 :
 A01 : 1000mm
 A: UL 1015
 B: UL 1430
 7: IP67 (防水等級 67)
 C: Circular (圓座)
 R: Snap In With Latch (彈臂卡合)



Pin Out	4 -- 3 White 白 2 -- 1 Black 黑	4 Green 綠 3 White 白 2 -- 1 Black 黑	4 Green 綠 3 White 白 2 Red 紅 1 Black 黑
Pin Assignments Front View	 2Pin	 3Pin	 4Pin

UNIT:mm			TITLE LARGE PANEL RBL F CONN F PIN	
TOLERANCE ±0.5		SCALE 1:1	SIZE A4	SHEET 2 OF 2
REV. B	WC-REV. A.6	QC: Inspection item		

Amphenol LTW
 安費諾亮泰企業股份有限公司

ITEM NO	DRAWN BY Joyy	DATE 2015-09-23
DWG NO DC-XXRFFC-RC7AXX	CHECKED BY Lu Di	DATE 2015-09-23
CUSTOMER ALTW	APPROVED BY Jerry	DATE 2015-09-23

1 2 3 4 5 6 7 8 FMM10702-01-02A1