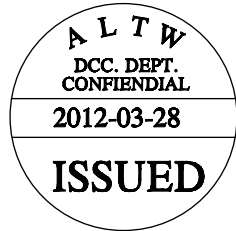
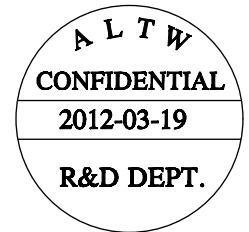
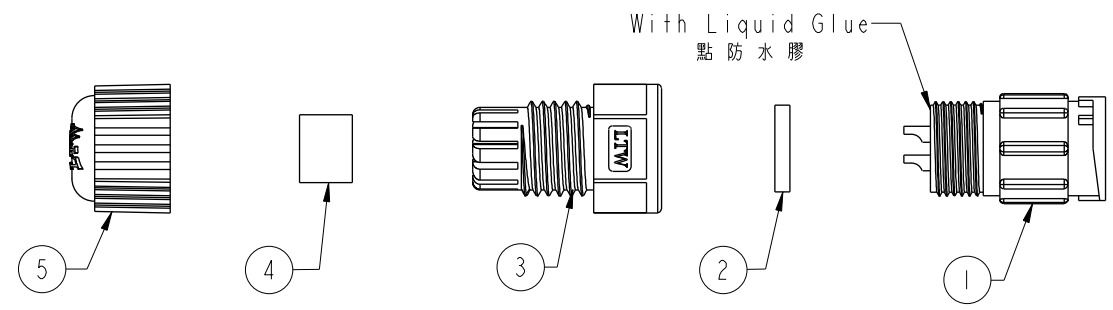
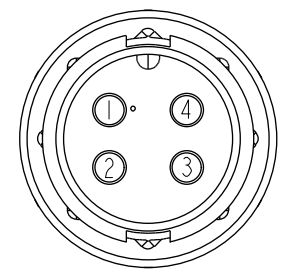
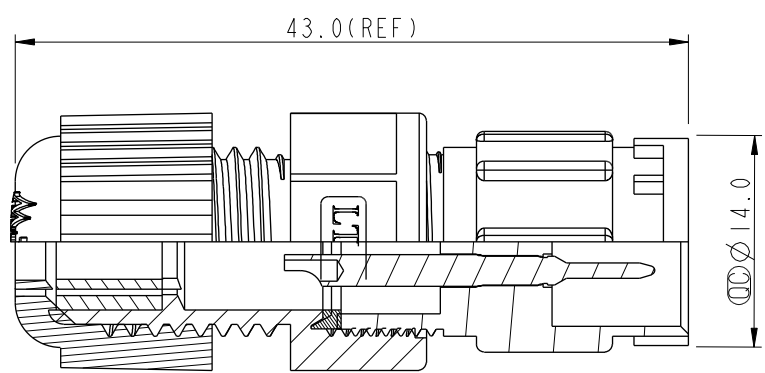


THIS DOCUMENT IS SUBJECT TO CHANGE WITHOUT NOTICE. IT IS CONFIDENTIAL AND A PROPERTY OF AMPHENOL LTW. DISCLOSURE TO THIRD PARTY HAS TO BE AUTHORIZED BY AMPHENOL LTW.

REV.	ECN NO.	DATE	SIGN	DESCRIPTION



- Note:
- \* Waterproof Rate: IP67
  - \*  $\text{CC}$  Important Dimension.  
( $\text{CC}$  為重點尺寸)
  - \* Seals for Cable OD:  $\varnothing 4.5\text{mm} \sim \varnothing 6.5\text{mm}$   
(防水墊圈線徑:  $\varnothing 4.5\text{mm} \sim \varnothing 6.5\text{mm}$ )
  - \* One Set Unassembled In One PE Bag  
(每一組未組裝, 放置於一個PE袋, 並封口)
  - \* Housing: Black, Nylon+GF
  - \* Male Pin: Bronze, Gold Plated
  - \* Gasket: Black, EPDM
  - \* Clamp Ring: Black, Nylon
  - \* Seals: Black, EPDM
  - \* Sealing Nut: Black, Nylon
  - \* Liquid Glue: Clear



Pin Assignments  
Front View 前視圖

UNIT: mm	$\text{CC}$	$\text{CC}$
TOLERANCE		
.X	$\pm 0.25$	
.XX	$\pm 0.1$	
.XXX	$\pm 0.05$	
ANGLES	$\pm 1^\circ$	

TITLE Standard Assy Lock 4P M Conn M Pin			
SCALE 1:1	SIZE A4	SHEET 1 OF 1	
REV. A	WC-REV. A.2	$\text{CC}$ : Inspection item	

**Amphenol LTW**  
安費諾亮泰企業股份有限公司

ITEM NO. BD-04BMMA-LL7001	DRAWN BY SamChang	DATE 2012-03-19
DWG NO. BD-04BMMA-LL7001	CHECKED BY Jeffrey	DATE 2012-03-28
CUSTOMER ALTW	APPROVED BY Kevin	DATE 2012-03-28