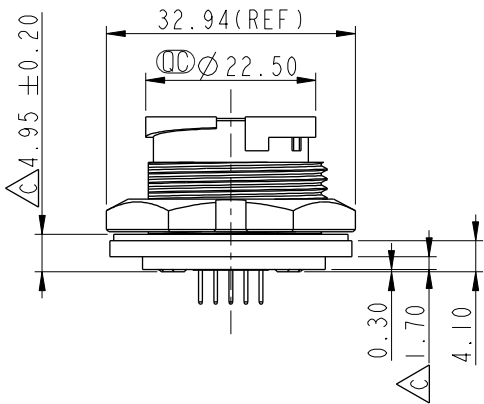
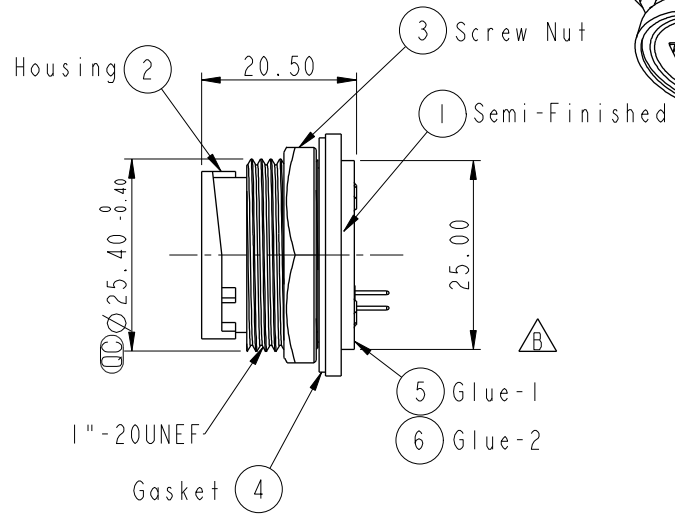
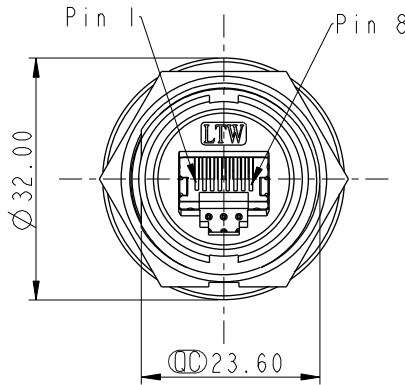
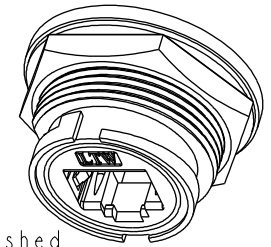
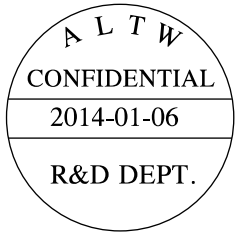
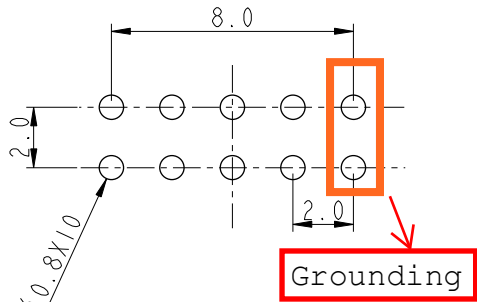


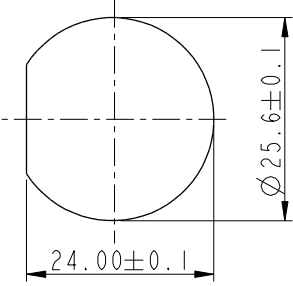
REV.	ECN NO.	DATE	SIGN	DESCRIPTION
A	Initial Release	2012/08/24	Tony	New Item.
B	LEN1380204	2013/08/20	Galaxy	Modify Balloom Mark.
C	LEN1410007	2013-11-21	Tony Chang	Add Dimension.



- Notes:
- \*  $\varnothing$  Important Dimension.
  - \* Waterproof Rate: IP67.
  - \* RJ45 Sheet: Nickel Plated.
  - \* Wafer: Black.
  - \* RJ45 Insret: Black.
  - \* Liquid Glue: Black.
  - \* Screw Nut: Nylon+GF, Black.
  - \* Gasket: EPDM, Black.
  - \* Use with Waterproof Cap or Dust Cap For Panel Thickness Max: 4.6mm.



PCB Layout 4:1



Recommended Panel Cut-Out

UNIT: mm		
TOLERANCE	.X ±0.25	.XX ±0.1
.XXX ±0.05		
ANGLES	±1°	

TITLE PANEL LOCK F CONN F PIN			
SCALE 1:1	SIZE A4	SHEET 1	OF 1
REV. C	WC-REV. C.1	$\varnothing$ : Inspection item	

**Amphenol LTW**  
安費諾亮泰企業股份有限公司

ITEM NO. RJS-5EPFFP-LC7002	DRAWN BY Tony	DATE 2013-11-21
DWG NO. RJS-5EPFFP-LC7002	CHECKED BY Micky	DATE 2013-11-21
CUSTOMER ALTW	APPROVED BY Victor	DATE 2013-11-21

THIS DOCUMENT IS SUBJECT TO CHANGE WITHOUT NOTICE. IT IS CONFIDENTIAL AND A PROPERTY OF AMPHENOL LTW. DISCLOSURE TO THIRD PARTY HAS TO BE AUTHORIZED BY AMPHENOL LTW.