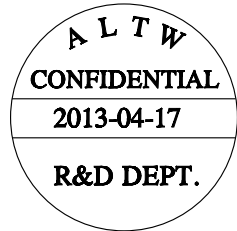
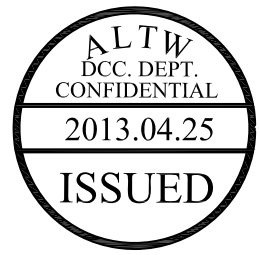
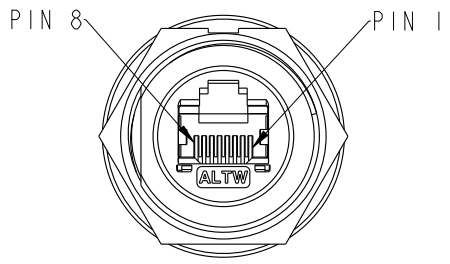
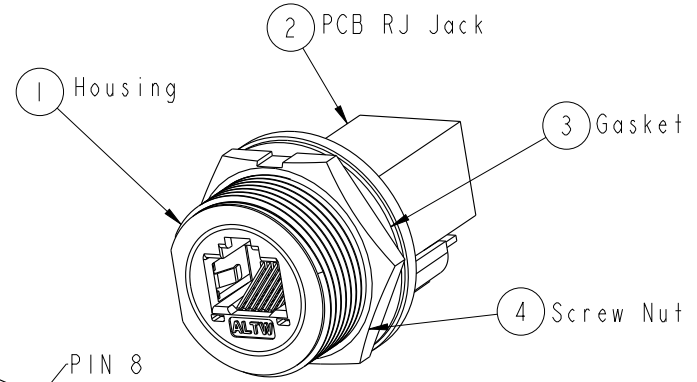
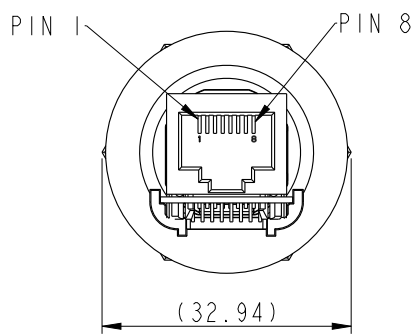
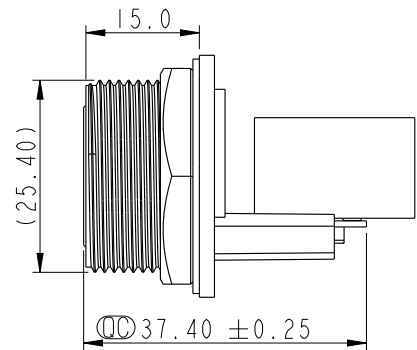
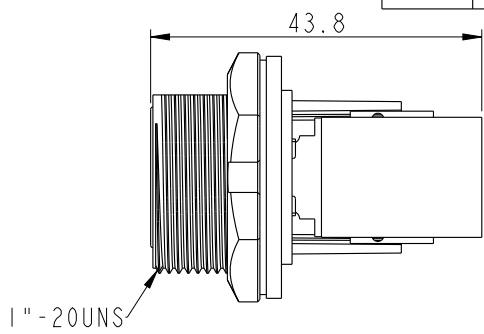
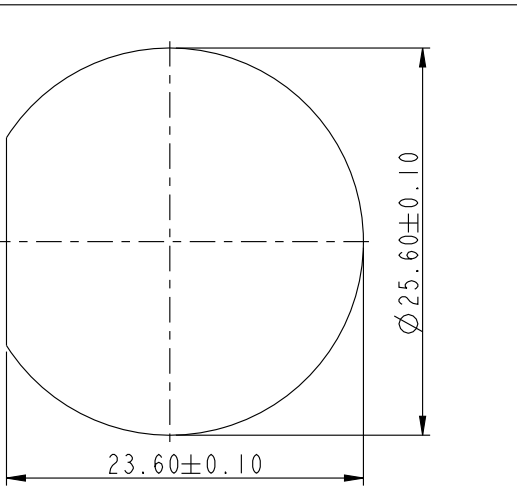


REV.	ECN NO.	DATE	SIGN	DESCRIPTION



- Note:
- * CC Important Dimension
 - * Waterproof Rate : IP67
 - * Housing : Nylon+GF, BLACK
 - * Screw Nut : Nylon+GF, BLACK
 - * Gasket : Silicone, UL 94V-0, Gray.
 - * PCB: FR-4
 - * Jack : PBT Polyester UL 94V-0
 - * Panel Thickness Max: 3.0mm
 - * Screw torsion value range: 8~15kgf-cm

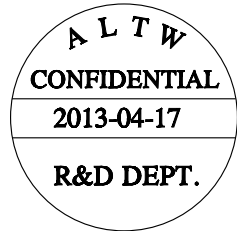
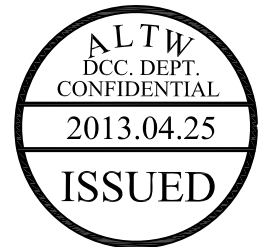
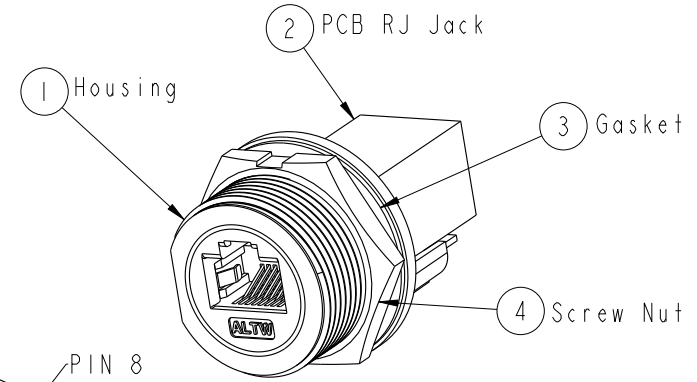
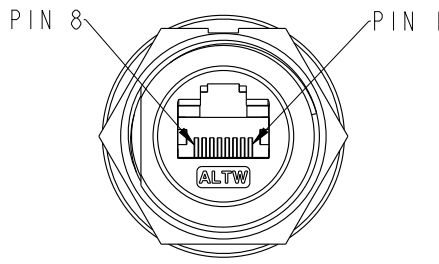
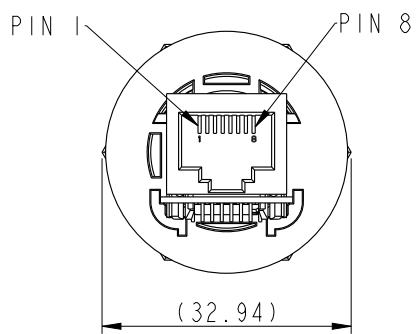
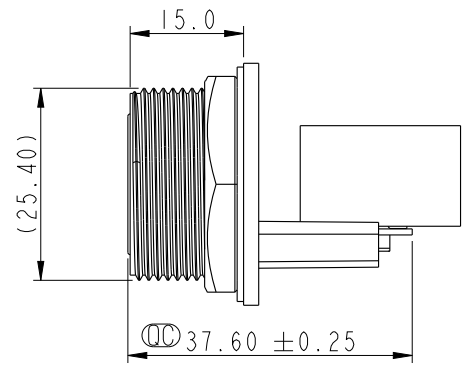
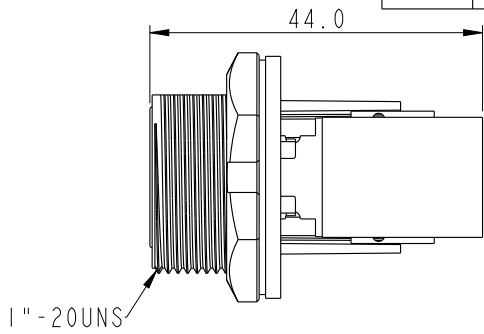


Recommended Panel Cut-out
Scale 2:1

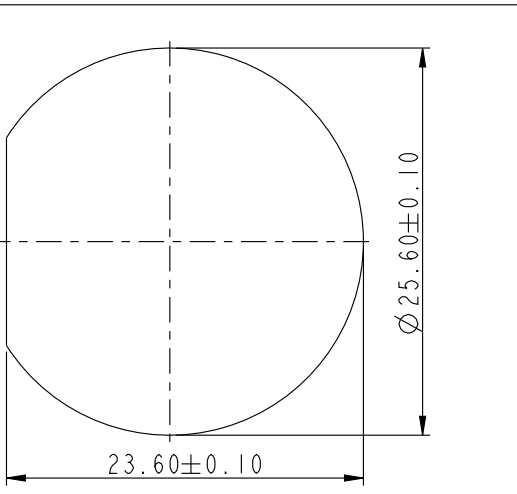
UNIT: mm		TITLE		ITEM NO		DRAWN BY		DATE
		RJ45, D SIZE, MATED WP		RDP-5SPFFH-SCM7001		Laurence_zang		2013-04-17
		SCALE 1:1		SIZE A4	SHEET 1 OF 1		CHECKED BY RAISON	
TOLERANCE	.X ±0.25 .XX ±0.1 .XXX ±0.05 ANGLES ±1°	REV. A	WC-REV. A.1	CC : Inspection item		APPROVED BY VICTOR		DATE 2013-04-17
Amphenol LTW 安費諾亮泰企業股份有限公司				CUSTOMER ALTW				

THIS DOCUMENT IS SUBJECT TO CHANGE WITHOUT NOTICE. IT IS CONFIDENTIAL AND A PROPERTY OF Amphenol LTW. DISCLOSURE TO THIRD PARTY HAS TO BE AUTHORIZED BY Amphenol LTW.

REV.	ECN NO.	DATE	SIGN	DESCRIPTION



- Note:
- * \varnothing Important Dimension
 - * Waterproof Rate : IP67
 - * Housing : Nylon+GF, BLACK
 - * Screw Nut : Nylon+GF, BLACK
 - * Gasket : Silicone, UL 94V-0, Gray.
 - * PCB: FR-4
 - * Jack : PBT Polyester UL 94V-0
 - * Panel Thickness Max: 3.0mm
 - * Screw torsion value range: 8~15kgf-cm



Recommended Panel Cut-out
Scale 2:1

UNIT: mm		TITLE RJ45, D SIZE, WATERPROOF			ITEM NO. RDP-5SPFFH-SCU7001	DRAWN BY Laurence_zang	DATE 2013-04-17
		SCALE 1:1 SIZE A4 SHEET 1 OF 1					
TOLERANCE .X ±0.25 .XX ±0.1 .XXX ±0.05 ANGLES ±1°		REV. A	WC-REV. A.1	\varnothing : Inspection item	CUSTOMER ALTW	APPROVED BY VICTOR	DATE 2013-04-17

Amphenol LTW
安費諾亮泰企業股份有限公司

THIS DOCUMENT IS SUBJECT TO CHANGE WITHOUT NOTICE. IT IS CONFIDENTIAL AND A PROPERTY OF Amphenol LTW. DISCLOSURE TO THIRD PARTY HAS TO BE AUTHORIZED BY Amphenol LTW.