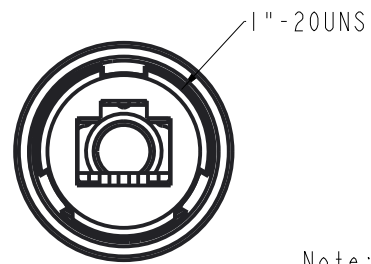
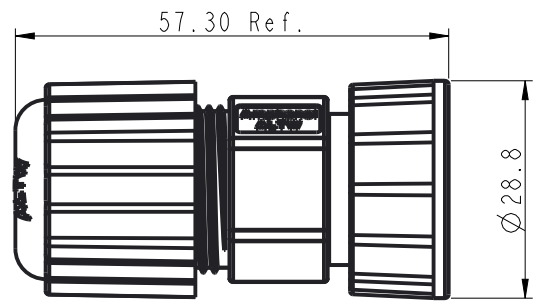
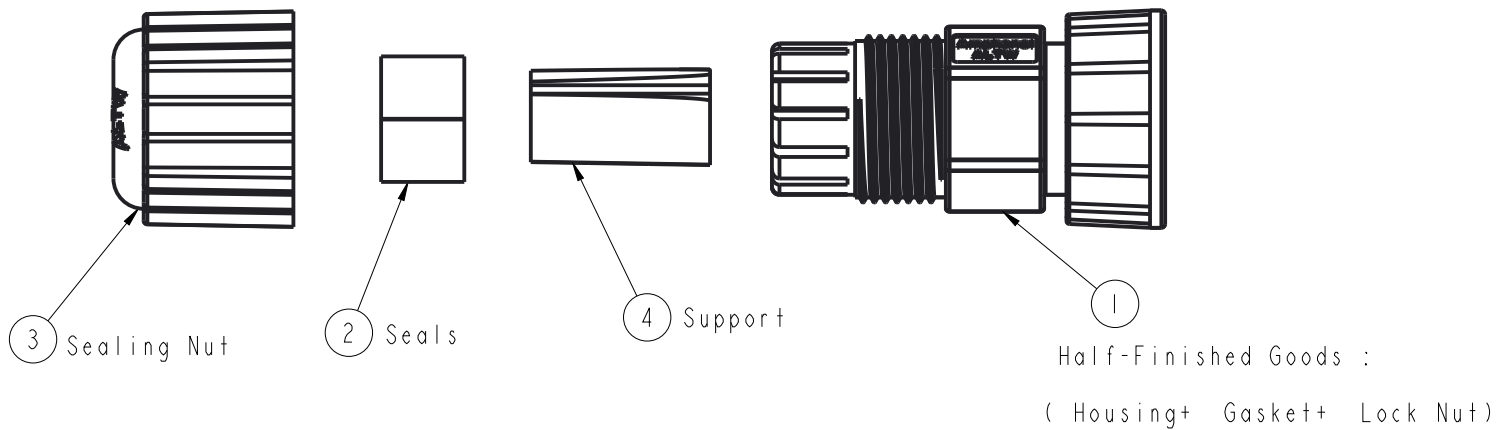


THIS DOCUMENT IS SUBJECT TO CHANGE WITHOUT NOTICE. IT IS CONFIDENTIAL AND A PROPERTY OF AMPHENOL LTW. DISCLOSURE TO THIRD PARTY HAS TO BE AUTHORIZED BY AMPHENOL LTW.

REV.	ECN NO.	DATE	SIGN	DESCRIPTION



- Note:
- * \varnothing Important Dimension
 - * Waterproof Rate : IP67 (Mating)
 - * Half-Finished Goods: Housing : Nylon, Black
Gasket : Silicon, Dgray; Screw Nut : Nylon, Black
 - * Support: Black, TPU
 - * Sealing Nut: Nylon+GF, Black
 - * Seals: Silicon, Dgray.
 - * Cable OD Max : 6.5mm
 - * One Set Unassembled in One PE Bag.

UNIT : mm			TITLE			ITEM NO.	DRAWN BY	DATE
			RJ45 FEED-THRU, 1"/20, DSIZE			RDP-00BMMS-SLM7001	Raison_liao	2013-04-16
TOLERANCE	.X	±0.25	SCALE	1:1	SIZE	A4	SHEET	1 OF 1
	.XX	±0.1	REV.	A	WC-REV.	A.6	OC: Inspection item	
	.XXX	±0.05	Amphenol LTW			DWG NO.	CHECKED BY	DATE
	ANGLES	±1°	安費諾亮泰企業股份有限公司			RDP-00BMMS-SLM7001	TONY	2013-04-16
						CUSTOMER	APPROVED BY	DATE
						ALTW	VICTOR	2013-04-16