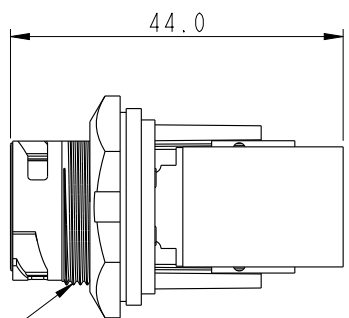


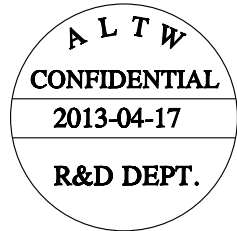
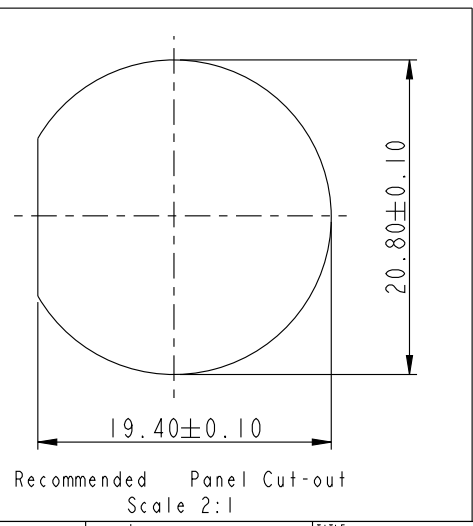
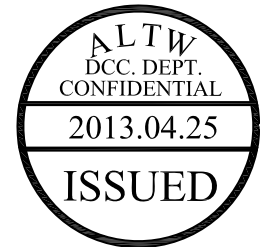
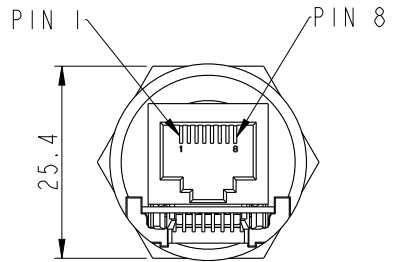
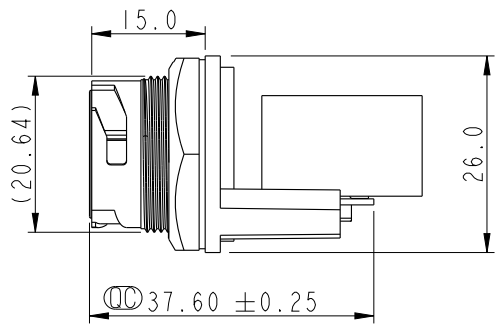
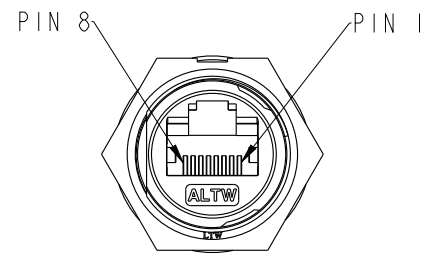
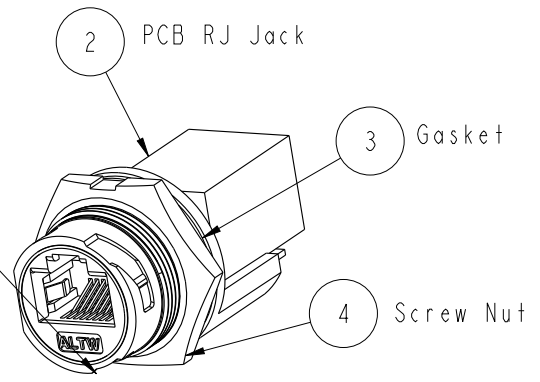
REV.	ECN NO.	DATE	SIGN	DESCRIPTION

F  
E  
D  
C  
B  
A

THIS DOCUMENT IS SUBJECT TO CHANGE WITHOUT NOTICE. IT IS CONFIDENTIAL AND A PROPERTY OF AMPHENOL LTW. DISCLOSURE TO THIRD PARTY HAS TO BE AUTHORIZED BY AMPHENOL LTW.



13/16"-28UNS



- Note:
- \*  $\varnothing$  Important Dimension
  - \* Waterproof Rate : IP67
  - \* Housing : Nylon+GF, BLACK
  - \* Screw Nut : Nylon+GF, BLACK
  - \* Gasket : Silicone, UL 94V-0, Gray.
  - \* PCB: FR-4
  - \* Jack : PBT Polyester UL 94V-0
  - \* Panel Thickness Max: 3.0mm
  - \* Screw torsion value range: 8~15kgf-cm

UNIT : mm		
TOLERANCE		
.X	±0.25	
.XX	±0.1	
.XXX	±0.05	
ANGLES	±1°	

TITLE RJ45, C SIZE, WATERPROOF			
SCALE 1:1	SIZE A4	SHEET 1 OF 1	
REV. A	WC-REV. A.2	$\varnothing$ : Inspection item	

**Amphenol LTW**  
安費諾亮泰企業股份有限公司

ITEM NO RCP-5SPFFH-TCU7001	DRAWN BY Laurence_zang	DATE 2013-04-17
DWG NO RCP-5SPFFH-TCU7001	CHECKED BY Raison	DATE 2013-04-17
CUSTOMER ALTW	APPROVED BY Victor	DATE 2013-04-17