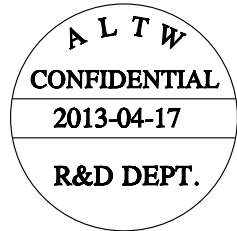
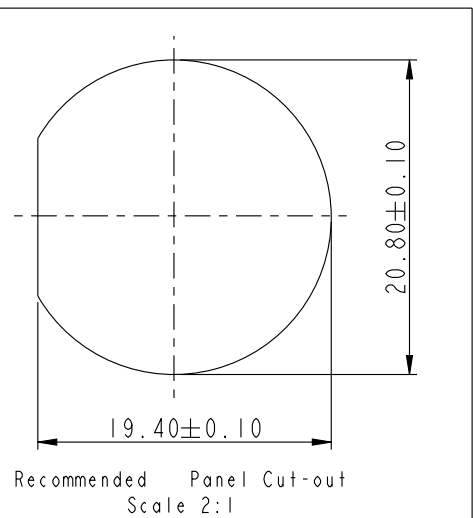
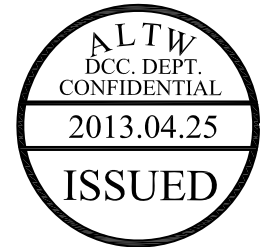
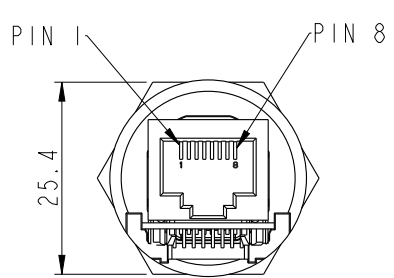
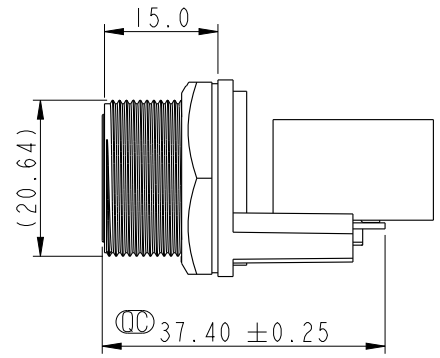
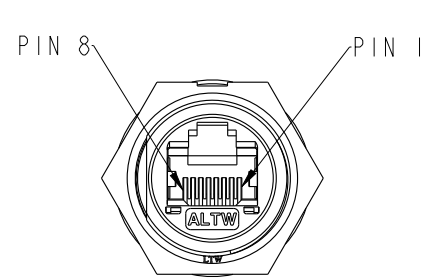
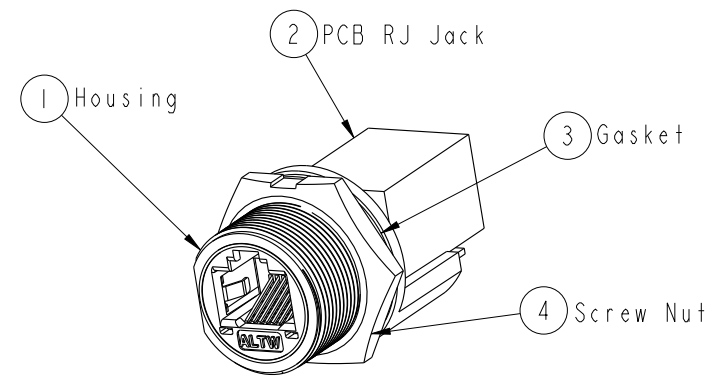
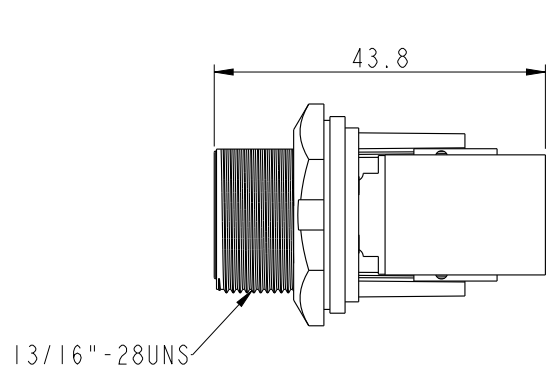


REV.	ECN NO.	DATE	SIGN	DESCRIPTION

F
E
D
C
B
A

THIS DOCUMENT IS SUBJECT TO CHANGE WITHOUT NOTICE. IT IS CONFIDENTIAL AND A PROPERTY OF AMPHENOL LTW. DISCLOSURE TO THIRD PARTY HAS TO BE AUTHORIZED BY AMPHENOL LTW.



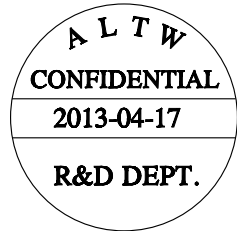
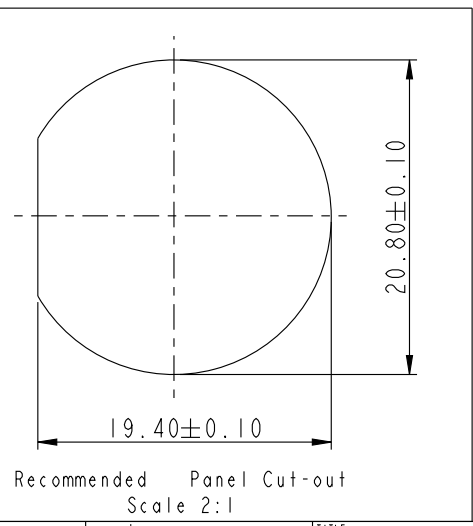
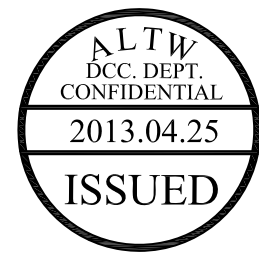
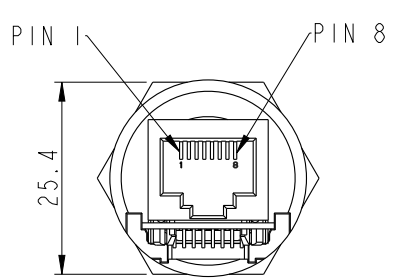
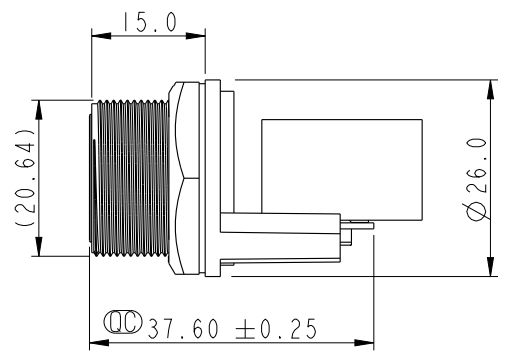
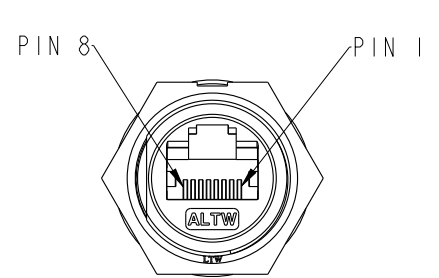
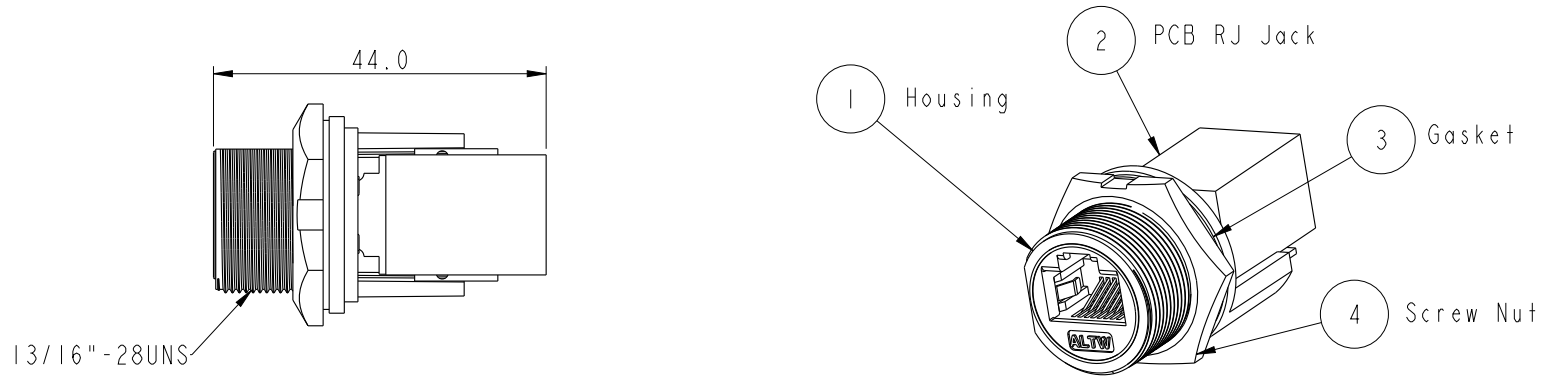
- Note:
- * Ⓞ Important Dimension
 - * Waterproof Rate : IP67
 - * Housing : Nylon+GF, BLACK
 - * Screw Nut : Nylon+GF, BLACK
 - * Gasket : Silicone, UL 94V-0, Gray.
 - * PCB: FR-4
 - * Jack : PBT Polyester UL 94V-0
 - * Panel Thickness Max: 3.0mm
 - * Screw torsion value range: 8~15kgf-cm

UNIT : mm TOLERANCE .X ±0.25 .XX ±0.1 .XXX ±0.05 ANGLES ±1°		TITLE RJ45,C SIZE, MATED WP		Amphenol LTW 安費諾亮泰企業股份有限公司		ITEM NO RCP-5SPFFH-SCM7001	DRAWN BY Laurence_zang	DATE 2013-04-17
		SCALE 1:1	SIZE A4	SHEET 1	OF 1	DWG NO RCP-5SPFFH-SCM7001	CHECKED BY Raison	DATE 2013-04-17
		REV. A	WC-REV. A.1	Ⓞ : Inspection item		CUSTOMER ALTW	APPROVED BY Victor	DATE 2013-04-17

1	2	3	4	5	6	7	8
REV.	ECN NO.	DATE	SIGN	DESCRIPTION			

F
E
D
C
B
A

THIS DOCUMENT IS SUBJECT TO CHANGE WITHOUT NOTICE. IT IS CONFIDENTIAL AND A PROPERTY OF AMPHENOL LTW. DISCLOSURE TO THIRD PARTY HAS TO BE AUTHORIZED BY AMPHENOL LTW.



- Note:
- * ⌀ Important Dimension
 - * Waterproof Rate : IP67
 - * Housing : Nylon+GF, BLACK
 - * Screw Nut : Nylon+GF, BLACK
 - * Gasket : Silicone, UL 94V-0, Gray.
 - * PCB: FR-4
 - * Jack : PBT Polyester UL 94V-0
 - * Panel Thickness Max: 3.0mm
 - * Screw torsion value range: 8~15kgf-cm

UNIT : mm		
TOLERANCE	±0.25	
.X	±0.1	
.XX	±0.05	
.XXX	±1°	
ANGLES		

TITLE RJ45, C SIZE, WATERPROOF			
SCALE 1:1	SIZE A4	SHEET 1 OF 1	
REV. A	WC-REV. A.1	⌀ : Inspection item	

Amphenol LTW
安費諾亮泰企業股份有限公司

ITEM NO. RCP-5SPFFH-SCU7001	DRAWN BY Laurence_zang	DATE 2013-04-17
DWG NO. RCP-5SPFFH-SCU7001	CHECKED BY Raison	DATE 2013-04-17
CUSTOMER ALTW	APPROVED BY Victor	DATE 2013-04-17

DATE 2013-04-17
DATE 2013-04-17
DATE 2013-04-17