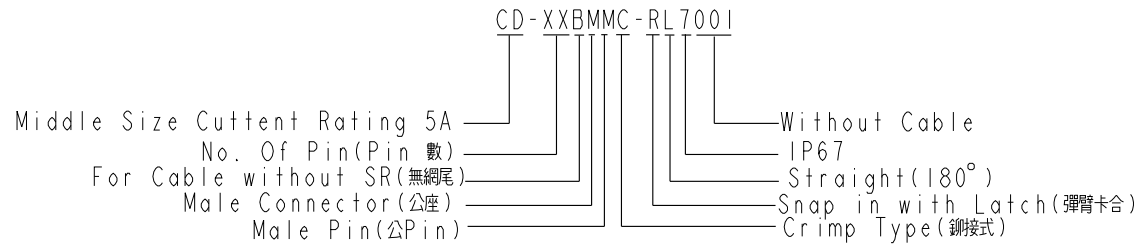
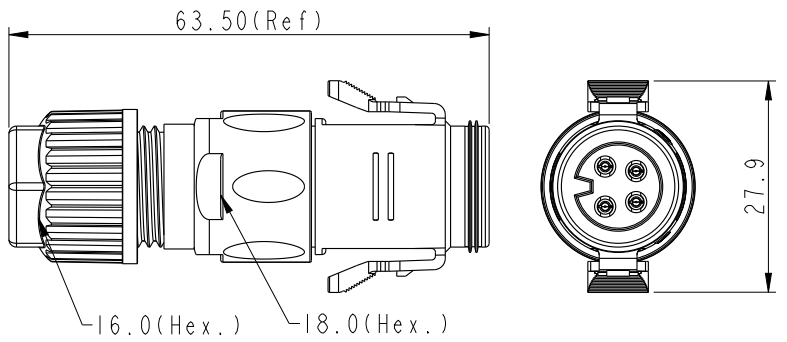
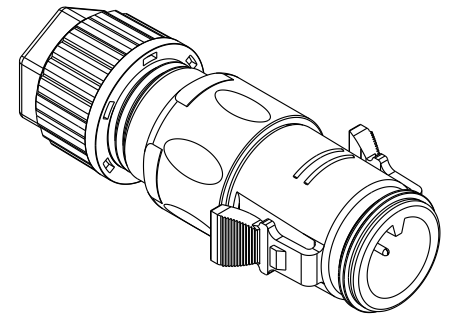
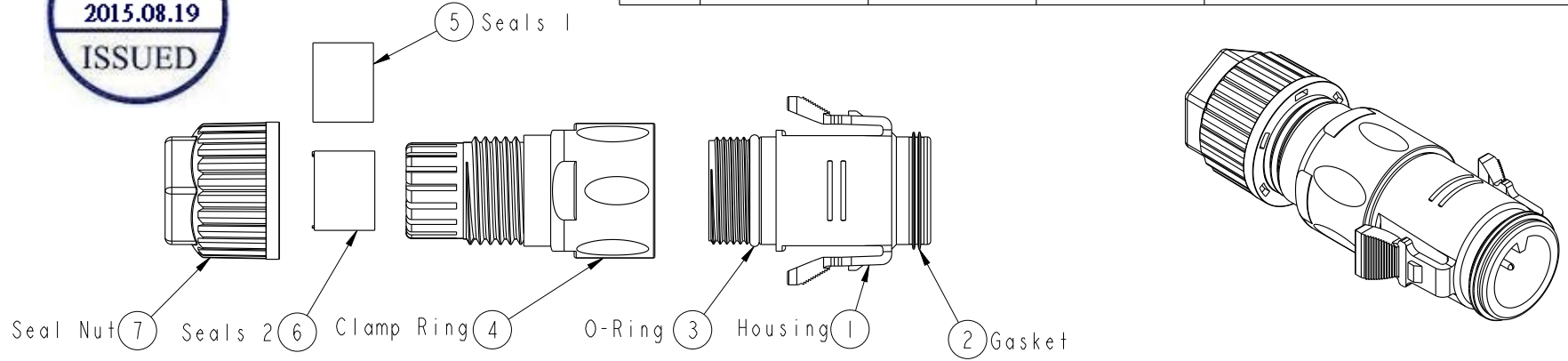
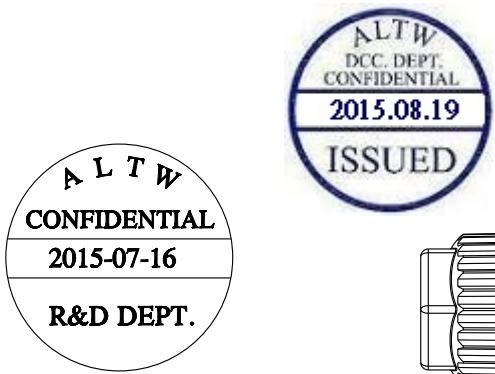


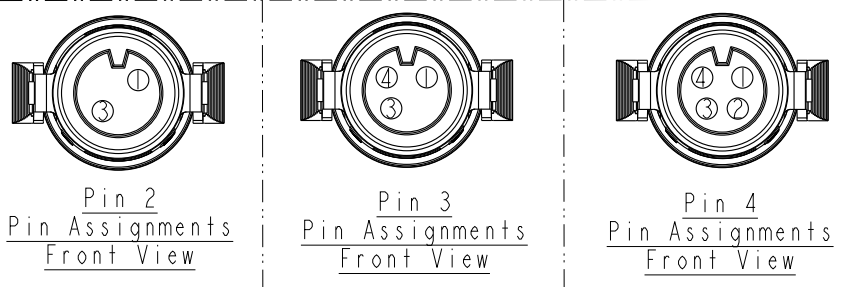
THIS DOCUMENT IS SUBJECT TO CHANGE WITHOUT NOTICE. IT IS CONFIDENTIAL AND A PROPERTY OF Amphenol LTW. DISCLOSURE TO THIRD PARTY HAS TO BE AUTHORIZED BY Amphenol LTW.

REV.	ECN NO.	DATE	SIGN	DESCRIPTION
A	Initial Release	2015/07/16	Mafei	Change Rev.01 To Rev.A



Middle Size Current Rating 5A
 No. Of Pin(Pin 數)
 For Cable without SR(無網尾)
 Male Connector(公座)
 Male Pin(公Pin)

- Note:
- * \varnothing Important Dimension To Check.
 - * Waterproof Rate: IP67 (Mating)
 - * Housing: M-PPE, Black, UL94 V-0, UL746C fl
 - * Conductor Current Rating: Max.5A Depends On Wire
 - * O-Ring: Silicone, Gray, UL94 V-0
 - * Seals: Silicone, Gray, UL94 V-0
 - * Clamp Ring: Nylon, Black, UL94 V-0, UL746C fl
 - * Sealing Nut: Nylon, Black, UL94 V-0, UL746C fl
 - * Seal 1 For Cable OD: \varnothing 4.5mm- \varnothing 7.5mm
 - * Seal 2 For Cable OD: \varnothing 7.5mm- \varnothing 9.5mm
 - * Prohibiting the use of place in oils.
 - * Clamp Ring Recommended Tightening Torque:
4~7 Kgf.cm(0.4~0.7 N.m)
 - * Sealing Nut Recommended Tightening Torque:
5~10 Kgf.cm(0.5~1 N.m)



UNIT:mm		TITLE	ASSY RBL M CONN M PIN	
TOLERANCE ± 0.5		SCALE	1:1	SIZE A4
REV.	A	WC-REV.	A.1	SHEET 1 OF 2
		QC: Inspection item		

Amphenol LTW		ITEM NO	CD-XXBMMC-RL7001	DRAWN BY	Mafei	DATE	2015-07-16
安費諾亮泰企業股份有限公司		DWG NO	CD-XXBMMC-RL7001	CHECKED BY	Arthur	DATE	2015-07-16
		CUSTOMER	ALTW	APPROVED BY	Jerry	DATE	2015-07-16

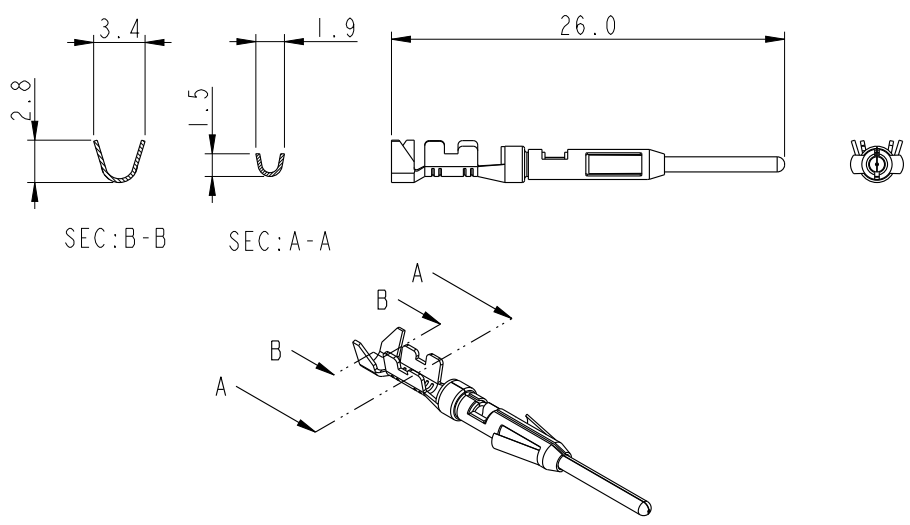
THIS DOCUMENT IS SUBJECT TO CHANGE WITHOUT NOTICE. IT IS CONFIDENTIAL AND A PROPERTY OF AMPHENOL LTW. DISCLOSURE TO THIRD PARTY HAS TO BE AUTHORIZED BY AMPHENOL LTW.

REV.	ECN NO.	DATE	SIGN	DESCRIPTION

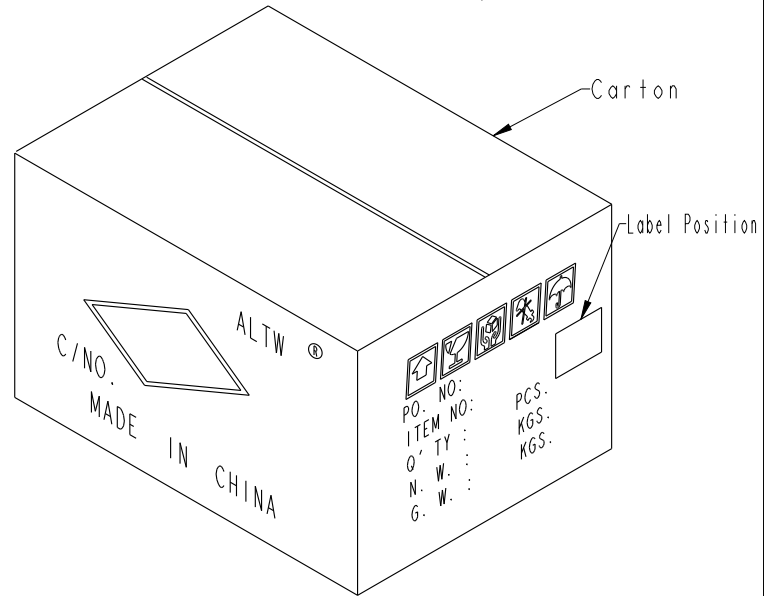
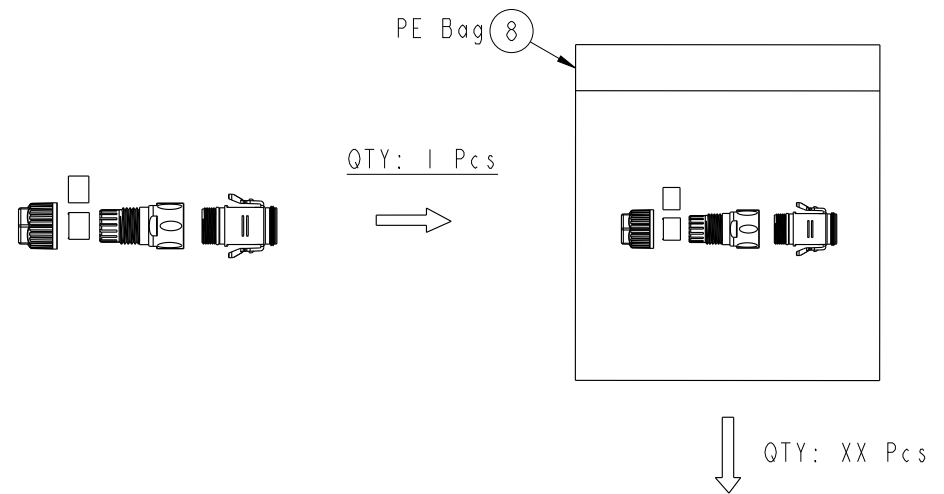
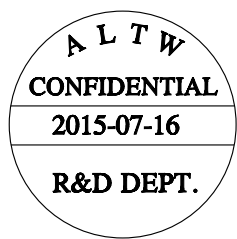
Optional Part: Terminal
P/N: SAM20D-XXG03

- 01: 3500Pcs/Reel
- 02: 500 Pcs Loose
- 03: 100 Pcs Loose

Contact Material: Copper Alloy, Gold Plated
Current Rating: 5A.
Wire Range: 20#~24#



Note:
* One Set Unassembled In One PE Bag.
(每一組未組裝, 放置於一個PE袋, 並封口)



UNIT: mm		
TOLERANCE	.X ±0.25	
	.XX ±0.1	
	.XXX ±0.05	
ANGLES	±1°	

TITLE ASSY RBL M CONN M PIN			
SCALE 1:1	SIZE A4	SHEET 2 OF 2	
REV. A	WC-REV. A.1	QC: Inspection item	

Amphenol LTW
安費諾亮泰企業股份有限公司

ITEM NO	DRAWN BY Mafei	DATE 2015/07/16
DWG NO CD-XXBMMC-RL7001	CHECKED BY Arthur	DATE 2015/07/16
CUSTOMER ALTW	APPROVED BY Jerry	DATE 2015/07/16