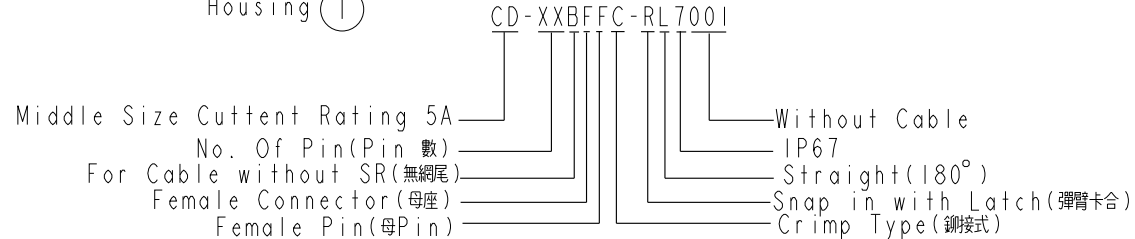
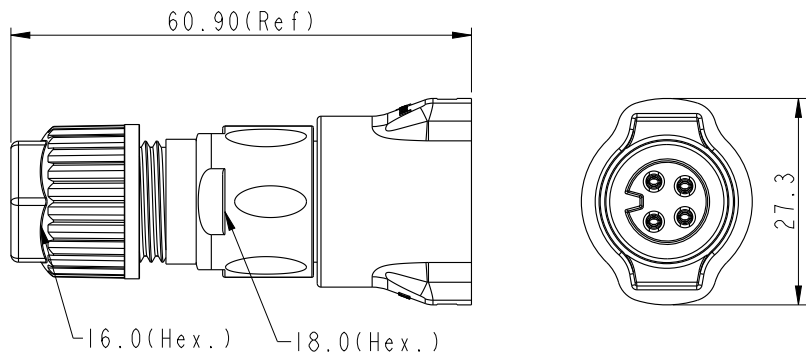
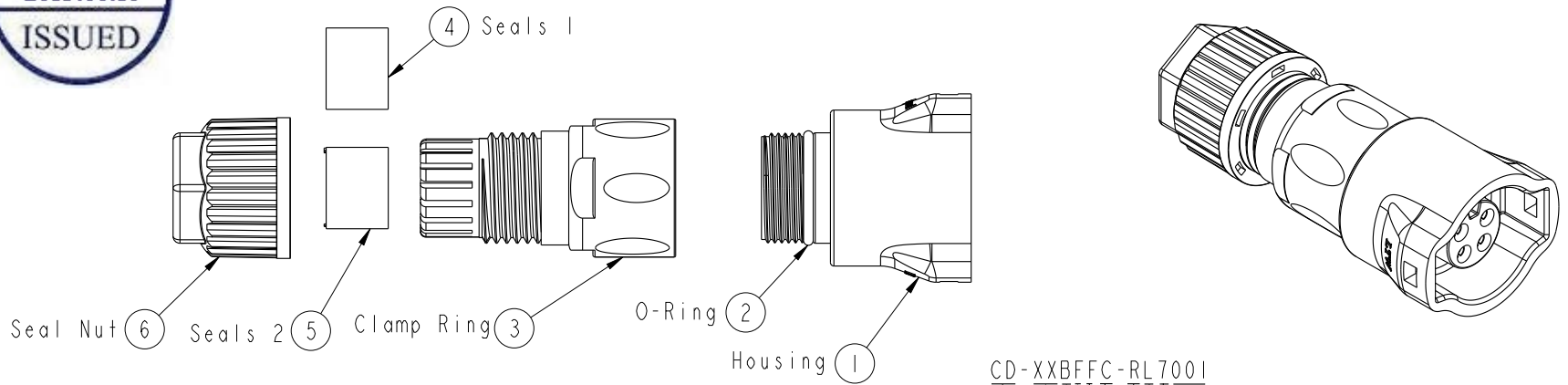
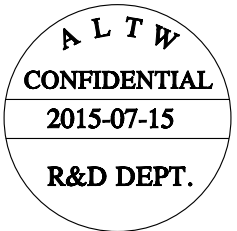
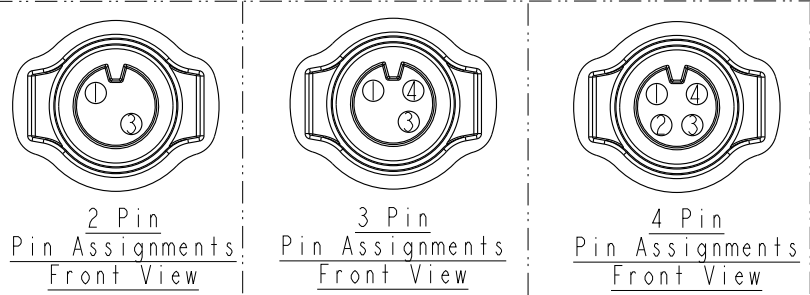


THIS DOCUMENT IS SUBJECT TO CHANGE WITHOUT NOTICE. IT IS CONFIDENTIAL AND A PROPERTY OF AMPHENOL LTW. DISCLOSURE TO THIRD PARTY HAS TO BE AUTHORIZED BY AMPHENOL LTW.

REV.	ECN NO.	DATE	SIGN	DESCRIPTION
A	Initial Release	2015/07/15	Mafei	Change Rev.01 To Rev.A



- Note:
- \*  $\varnothing$  Important Dimension To Check.
  - \* Waterproof Rate: IP67 (Mating)
  - \* Housing: M-PPE, Black, UL94 V-0, UL746C fl
  - \* Conductor Current Rating: Max.5A Depends On Wire
  - \* O-Ring: Silicone, Gray, UL94 V-0
  - \* Seals: Silicone, Gray, UL94 V-0
  - \* Clamp Ring: Nylon, Black, UL94 V-0, UL746C fl
  - \* Sealing Nut: Nylon, Black, UL94 V-0, UL746C fl
  - \* Seal 1 For Cable OD:  $\varnothing 4.5\text{mm} \sim \varnothing 7.5\text{mm}$
  - \* Seal 2 For Cable OD:  $\varnothing 7.5\text{mm} \sim \varnothing 9.5\text{mm}$
  - \* Prohibiting the use of place in oils.
  - \* Clamp Ring Recommended Tightening Torque: 4~7 Kgf.cm (0.4~0.7 N.m)
  - \* Sealing Nut Recommended Tightening Torque: 5~10 Kgf.cm (0.5~1 N.m)



UNIT:mm		TITLE	ASSY RBL 5A F CONN F PIN	
TOLERANCE		SCALE	SIZE	SHEET
$\pm 0.5$		1:1	A4	1 OF 2
REV.	A	WC-REV.	A.1	$\varnothing$ : Inspection item

**Amphenol LTW**  
安費諾亮泰企業股份有限公司

ITEM NO	DRAWN BY	DATE
	Mafei	2015/07/15
DWG NO	CHECKED BY	DATE
CD-XXBFFC-RL7001	Arthur	2015/07/15
CUSTOMER	APPROVED BY	DATE
ALTW	Jerry	2015/07/15

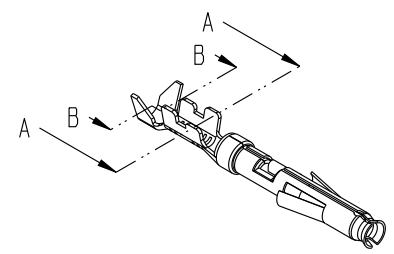
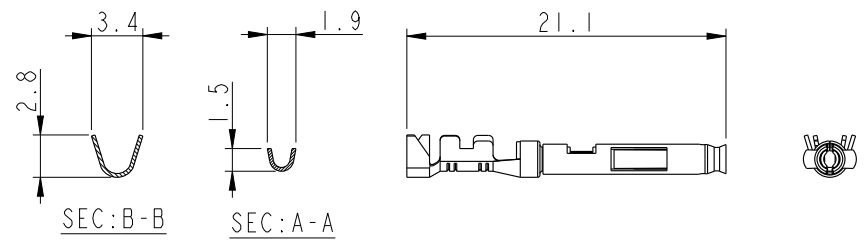
THIS DOCUMENT IS SUBJECT TO CHANGE WITHOUT NOTICE. IT IS CONFIDENTIAL AND A PROPERTY OF AMPHENOL LTW. DISCLOSURE TO THIRD PARTY HAS TO BE AUTHORIZED BY AMPHENOL LTW.

REV.	ECN NO.	DATE	SIGN	DESCRIPTION

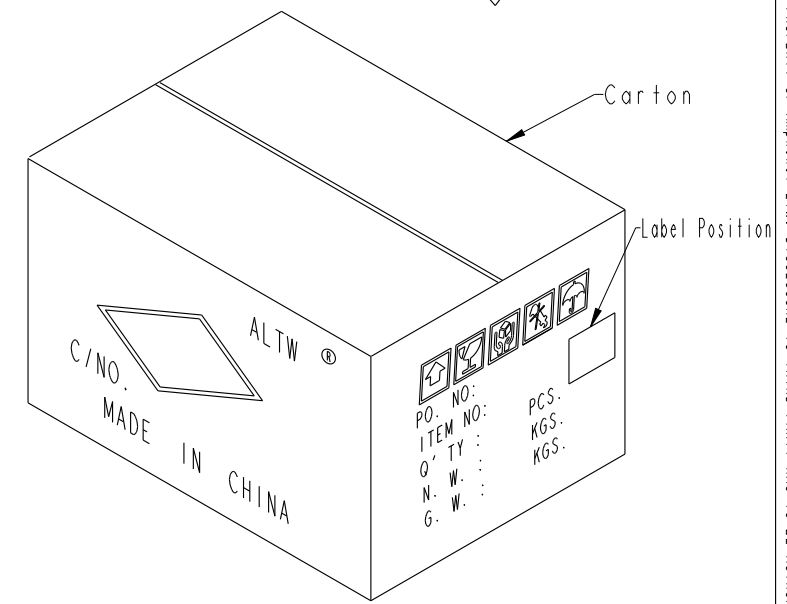
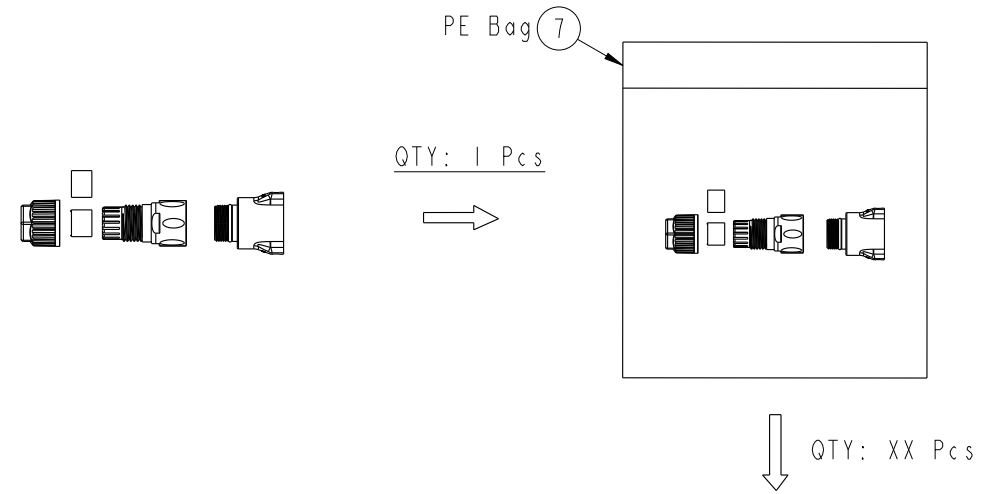
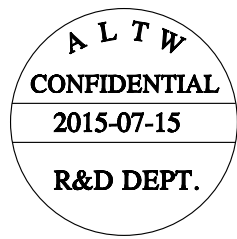
Optional Part: Terminal  
P/N: SAF20D-XXG03

- 01: 3500Pcs/Reel
- 02: 500 Pcs Loose
- 03: 100 Pcs Loose

Contact Material: Copper Alloy, Gold Plated  
Current Rating: 5A.  
Wire Range: 20#~24#



Note:  
\* One Set Unassembled In One PE Bag.  
(每一組未組裝，放置於一個PE袋，並封口)



UNIT: mm			TITLE ASSY RBL 5A F CONN F PIN
TOLERANCE .X ±0.25 .XX ±0.1 .XXX ±0.05 ANGLES ±1°	SCALE 1:1	SIZE A4	SHEET 2 OF 2
REV. A	WC-REV. A.1	QC: Inspection item	

**Amphenol LTW**  
安費諾亮泰企業股份有限公司

ITEM NO.	DRAWN BY Mafei	DATE 2015/07/15
DWG NO. CD-XXBFFC-RL7001	CHECKED BY Arthur	DATE 2015/07/15
CUSTOMER ALTW	APPROVED BY Jerry	DATE 2015/07/15