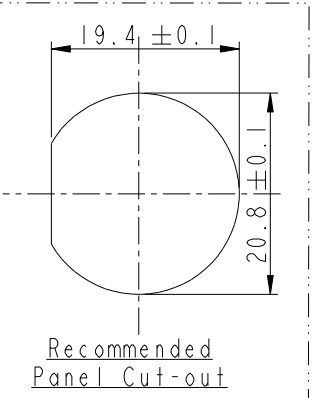
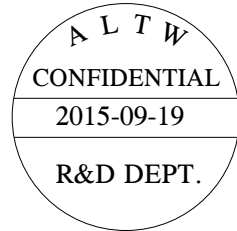
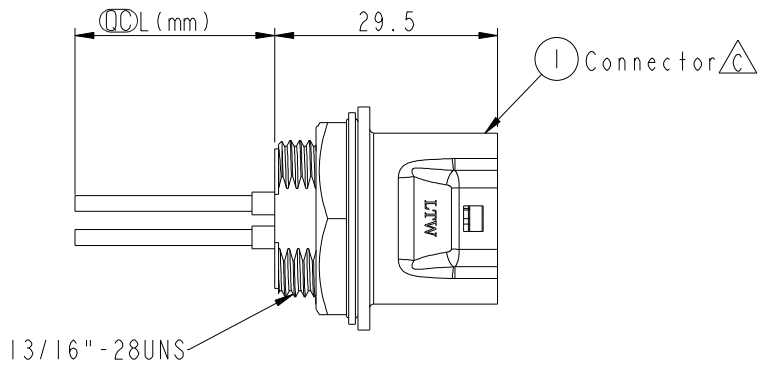
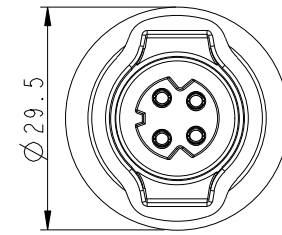
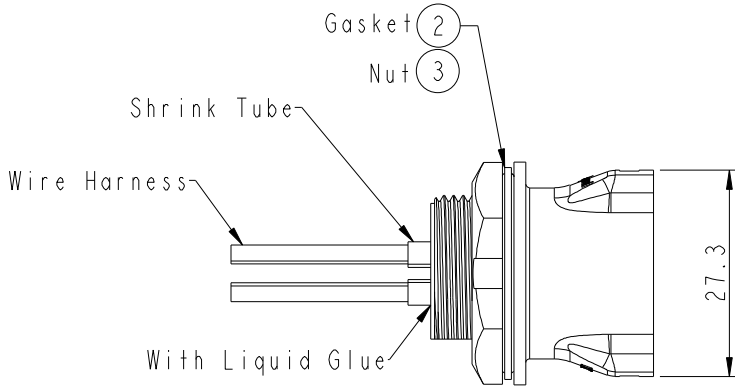
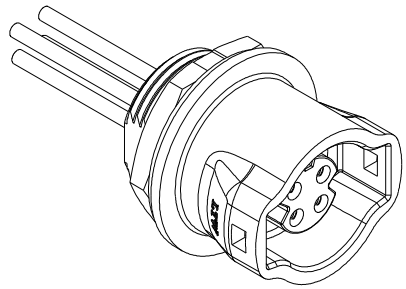


REV.	ECN NO.	DATE	SIGN	DESCRIPTION
B	LEN1580296~98	2015/08/13	Lu Di	Change To Common Drawing
C	LE315A0032~34	2015/09/19	Joyy	Update The Drawing



- Note:
- * \varnothing Important Dimension To Check.
 - * Waterproof Rate: IP67
 - * Housing: M-PPE, Black.
 - * Female Pin: Copper Alloy, Gold Plated.
 - * Gasket: Silicone, Black.
 - * Screw Nut: Nylon+GF, Black.
 - * Wire Harness: UL1015 16#
 - * Panel Thickness Max: 5.0mm
 - * Recommended Nut Torque: 4~7 kgf.cm
 - * Wire harness Tolerance: 100~300 ±15mm
301~1000 ±20mm
 - * Prohibiting the use of place in oils



A	UNIT: mm	TOLERANCE ±0.5		TITLE MIDDLE PANEL RBL F CONN F PIN		ITEM NO		DRAWN BY Joyy		DATE 2015-09-19	
	SCALE 1:1		SIZE A4	SHEET 1 OF 2		DWG NO CB-XXRFFC-RC7AXX		CHECKED BY Lu Di		DATE 2015-09-19	
	REV. C		WC-REV. A.2	\varnothing : Inspection item		CUSTOMER ALTW		APPROVED BY Jerry		DATE 2015-09-19	
				Amphenol LTW 安費諾亮泰企業股份有限公司						8 FMM10702-01-02A1	

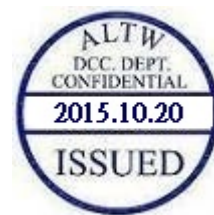
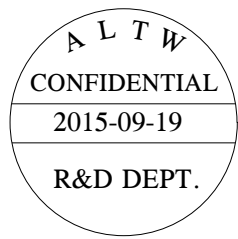
THIS DOCUMENT IS SUBJECT TO CHANGE WITHOUT NOTICE. IT IS CONFIDENTIAL AND A PROPERTY OF Amphenol LTW. DISCLOSURE TO THIRD PARTY HAS TO BE AUTHORIZED BY Amphenol LTW.

THIS DOCUMENT IS SUBJECT TO CHANGE WITHOUT NOTICE. IT IS CONFIDENTIAL AND A PROPERTY OF Amphenol LTW. DISCLOSURE TO THIRD PARTY HAS TO BE AUTHORIZED BY Amphenol LTW.



CB-XXRFFC-RC7AXX
 Middle Size Current Rating 10A
 XX: No. Of Pin (Pin 數)
 R: Panel Rear Mounting (後鎖嵌面板式)
 F: Female Connector (母座)
 F: Female Pin (母Pin)
 C: Crimp Type (夾線組裝式)

AXX: 100~1000mm
 A10: 100mm
 A20: 200mm
 ...
 A01: 1000mm
 A: UL 1015
 7: IP67 (防水等級 67)
 C: Circular (圓座)
 R: Snap in With Latch (彈臂卡合式)



Pin Out	4	--	4	Green 綠	4	Orange 橙
	3	Red 紅	3	Red 紅	3	Red 紅
	2	--	2	--	2	Brown 棕
	1	Black 黑	1	Black 黑	1	Black 黑
Pin Assignments Front View	 2Pin		 3Pin		 4Pin	

UNIT: mm TOLERANCE ±0.5	TITLE MIDDLE PANEL RBL F CONN F PIN			<h1>Amphenol LTW</h1> 安費諾亮泰企業股份有限公司	ITEM NO	DRAWN BY Joyy	DATE 2015-09-19
	SCALE 1:1	SIZE A4	SHEET 2 OF 2		DWG NO CB-XXRFFC-RC7AXX	CHECKED BY Lu Di	DATE 2015-09-19
	REV. C	WC-REV. A.2	QC: Inspection item		CUSTOMER ALTW	APPROVED BY Jerry	DATE 2015-09-19