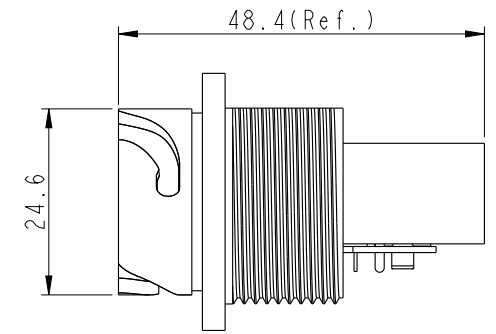
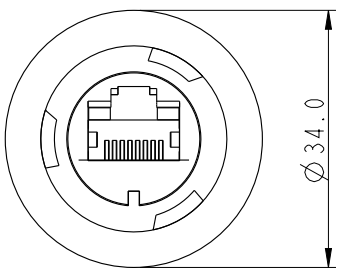
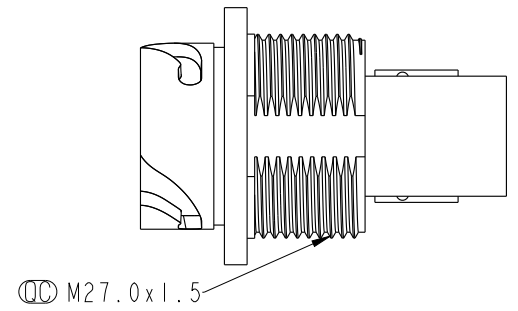
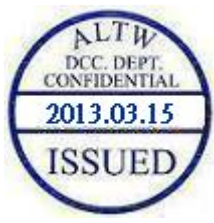
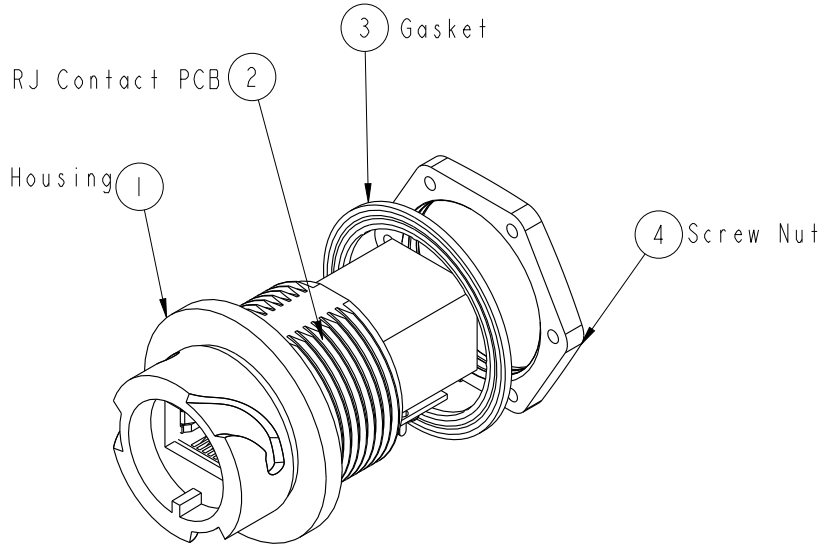
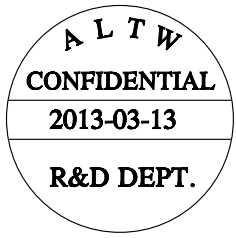
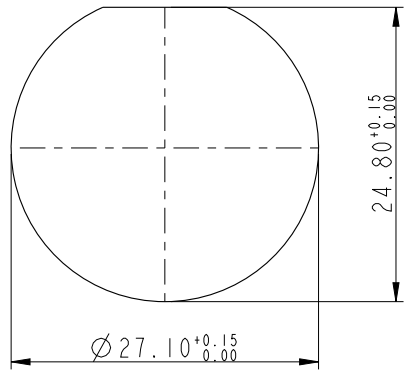


REV.	ECN NO.	DATE	SIGN	DESCRIPTION



Recommended PANEL KNOCKOUT



Note:

- * (M) Important Dimension
- * Waterproof Rate : IP67 (Unmating Waterproof)
- * Housing : Nylon+GF, BLACK
- * RJ45 Jack : Cat 5e, Shield
- * Gasket : Silicone, UL 94V-0, Gray.
- * Screw Nut : Nylon+GF, BLACK
- * Contact: Phosphor Bronze, Gold Flash Over Nickel
- * For Panel Thickness Max: 3.0mm
- * Screw torsion value range: 8~15kgf-cm
- * RoHS Compliant. -20°C to 105°C

UNIT : mm		TITLE		ITEM NO		DRAWN BY		DATE
		RJ45 ODVA, PANEL, REAR LOCK UNMATED WATERPROOF		ROP-5SRFFH-TCU7001		Laurence_zang		2013-03-13
TOLERANCE	.X ±0.25 .XX ±0.1 .XXX ±0.05 ANGLES ±1°	SCALE	SIZE	SHEET	OF	CHECKED BY	DATE	
REV.	A	WC-REV.	A.1	(M)	Inspection item	ROP-5SRFFH-TCU7001	Raison	2013-03-13
				CUSTOMER		APPROVED BY		DATE
				ALTW		Victor		2013-03-13

Amphenol LTW
安費諾亮泰企業股份有限公司

THIS DOCUMENT IS SUBJECT TO CHANGE WITHOUT NOTICE. IT IS CONFIDENTIAL AND A PROPERTY OF AMPHENOL LTW. DISCLOSURE TO THIRD PARTY HAS TO BE AUTHORIZED BY AMPHENOL LTW.