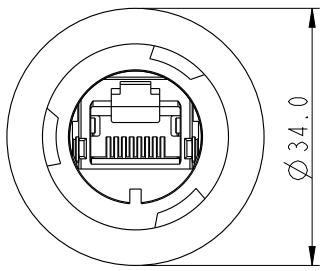
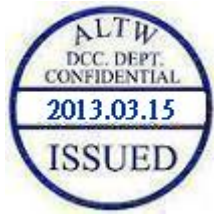
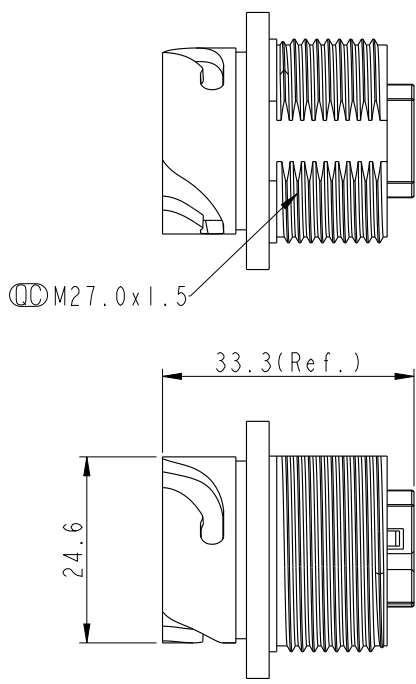
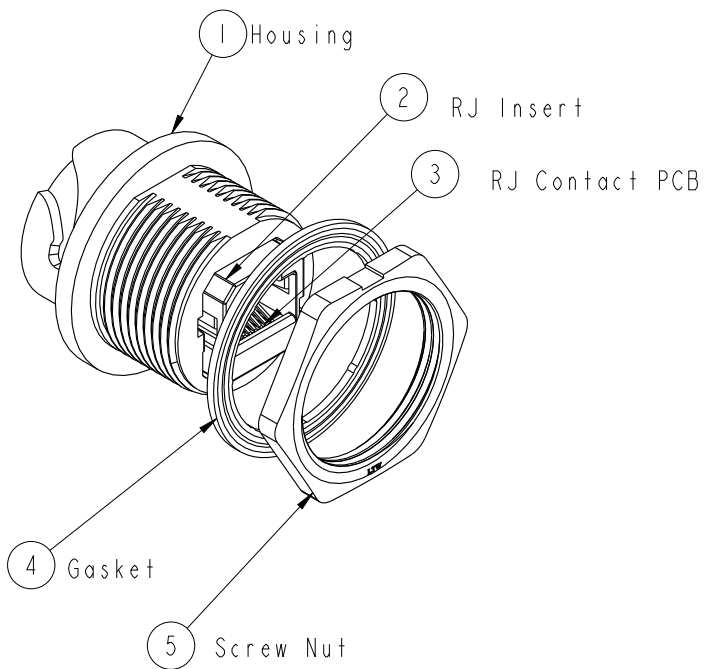
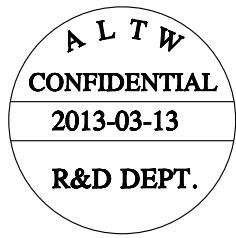
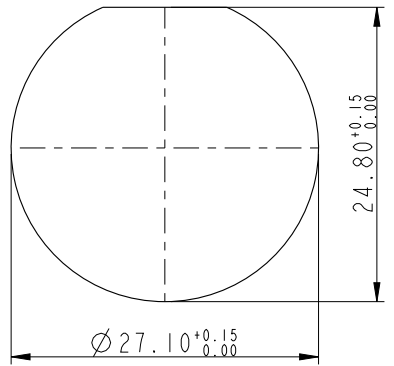


REV.	ECN NO.	DATE	SIGN	DESCRIPTION



Recommended PANEL KNOCKOUT



Note:

- * (CC) Important Dimension
- * Waterproof Rate : IP67 (Mating)
- * Housing : Nylon+GF, BLACK
- * RJ45 Jack : Cat 5e, Shield
- * Gasket : Silicone, UL 94V-0, Gray.
- * Screw Nut : Nylon+GF, BLACK
- * Contact: Phosphor Bronze, Gold Flash Over Nickel
- * For Panel Thickness Max: 3.0mm
- * Screw torsion value range: 8~15kgf-cm
- * RoHS Compliant. -20°C to 105°C

UNIT : mm		
TOLERANCE	.X ±0.25	
.XX ±0.1		
.XXX ±0.05		
ANGLES	±1°	

TITLE RJ45 ODVA, PANEL, FRONT LOCK			
SCALE 1:1	SIZE A4	SHEET 1 OF 1	
REV. A	WC-REV. A.1	(CC): Inspection item	

Amphenol LTW
安費諾亮泰企業股份有限公司

ITEM NO. ROP-5SRFFH-TCM7001	DRAWN BY Laurence_zang	DATE 2013-03-13
DWG NO. ROP-5SRFFH-TCM7001	CHECKED BY Raison	DATE 2013-03-13
CUSTOMER ALTW	APPROVED BY Victor	DATE 2013-03-13

THIS DOCUMENT IS SUBJECT TO CHANGE WITHOUT NOTICE. IT IS CONFIDENTIAL AND A PROPERTY OF Amphenol LTW. DISCLOSURE TO THIRD PARTY HAS TO BE AUTHORIZED BY Amphenol LTW.

F
E
D
C
B
A