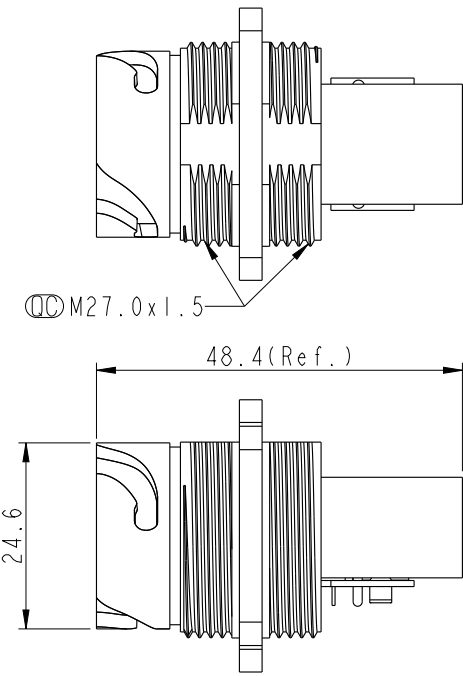
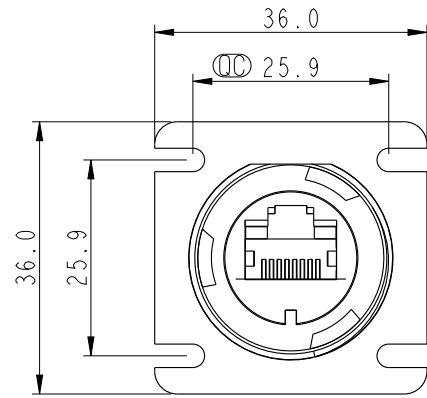
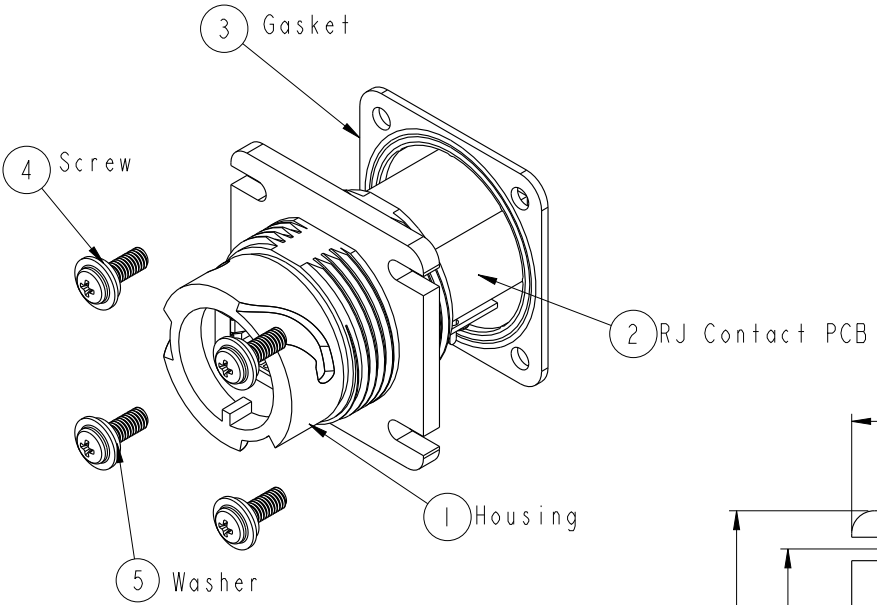
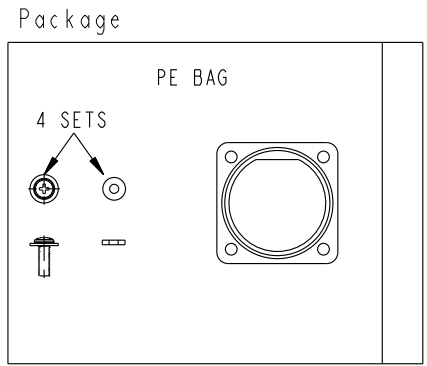
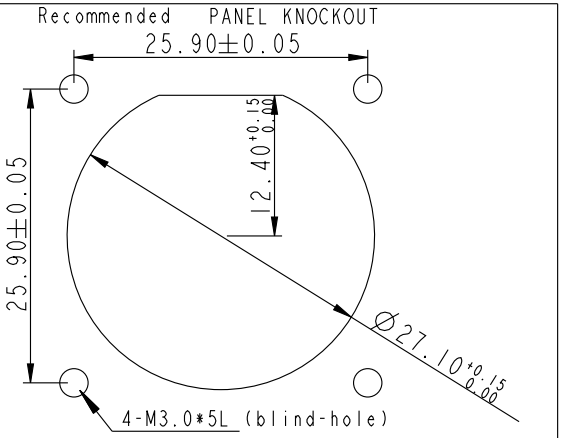


REV.	ECN NO.	DATE	SIGN	DESCRIPTION

ALTW
CONFIDENTIAL
 2013-03-13
R&D DEPT.



ALTW
DCC. DEPT.
CONFIDENTIAL
 2013.03.15
ISSUED



- Note:
- * \varnothing Important Dimension
 - * Waterproof Rate : IP67 (Unmating Waterproof)
 - * Housing : Nylon+GF, BLACK
 - * RJ45 Jack : Cat 5e, Shield
 - * Gasket : Silicone, UL 94V-0, Gray.
 - * Screw : SUS30X, M3.0x L=8.0mm
 - * Contact: Phosphor Bronze, Gold Flash Over Nickel
 - * For Panel Thickness Max: 3.0mm
 - * Screw torsion value range: 8~15kgf-cm
 - * RoHS Compliant. -20°C to 105°C

UNIT: mm		
TOLERANCE	.X ±0.25	
.XX ±0.1		
.XXX ±0.05		
ANGLES	±1°	

TITLE RJ45 ODVA, PANEL, FRONT LOCK UNMATED WATERPROOF			
SCALE 1:1	SIZE A4	SHEET 1 OF 1	
REV. A	WC-REV. A.3	\varnothing : Inspection item	

Amphenol LTW
 安費諾亮泰企業股份有限公司

ITEM NO. ROP-5SPFFH-TSU7001	DRAWN BY Laurence_Zang	DATE 2013-03-13
DWG NO. ROP-5SPFFH-TSU7001	CHECKED BY Raison	DATE 2013-03-13
CUSTOMER ALTW	APPROVED BY Victor	DATE 2013-03-13

THIS DOCUMENT IS SUBJECT TO CHANGE WITHOUT NOTICE. IT IS CONFIDENTIAL AND A PROPERTY OF Amphenol LTW. DISCLOSURE TO THIRD PARTY HAS TO BE AUTHORIZED BY Amphenol LTW.