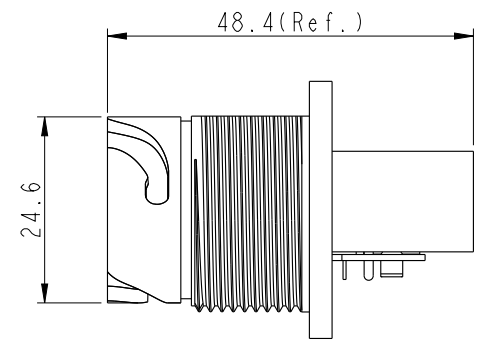
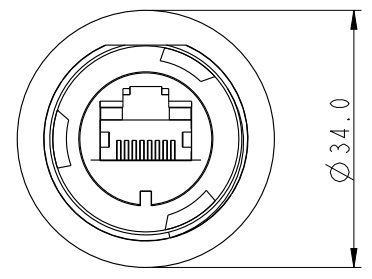
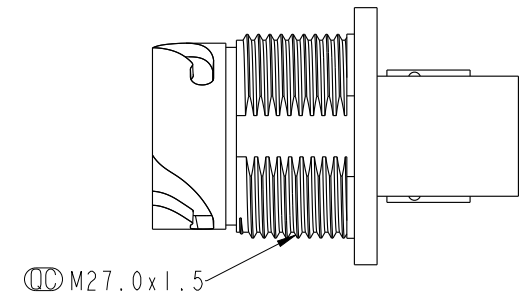
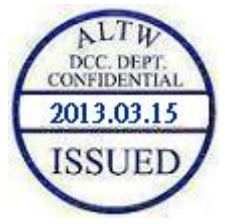
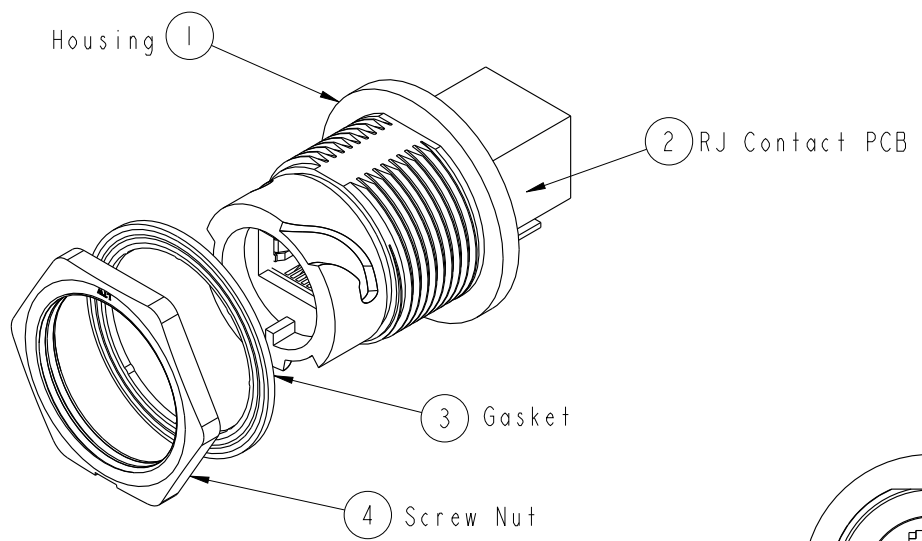
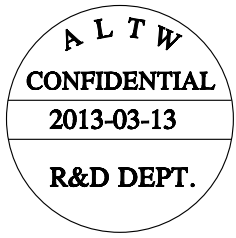
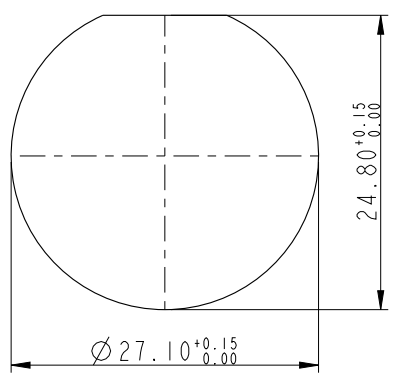


REV.	ECN NO.	DATE	SIGN	DESCRIPTION

THIS DOCUMENT IS SUBJECT TO CHANGE WITHOUT NOTICE. IT IS CONFIDENTIAL AND A PROPERTY OF AMPHENOL LTW. DISCLOSURE TO THIRD PARTY HAS TO BE AUTHORIZED BY AMPHENOL LTW.



Recommended PANEL KNOCKOUT



Note:

- * (M) Important Dimension
- * Waterproof Rate : IP67 (Unmating Waterproof)
- * Housing : Nylon+GF, BLACK
- * RJ45 Jack : Cat 5e, Shield
- * Gasket : Silicone, UL 94V-0, Gray.
- * Screw Nut : Nylon+GF, BLACK
- * Contact: Phosphor Bronze, Gold Flash Over Nickel
- * For Panel Thickness Max: 3.0mm
- * Screw torsion value range: 8~15kgf-cm
- * RoHS Compliant. -20°C to 105°C

UNIT : mm		TITLE		ITEM NO.		DRAWN BY		DATE
		RJ45 ODVA, PANEL, FRONT LOCK UNMATED WATERPROOF		ROP-5SPFFH-TCU7001		Laurence_zang		2013-03-13
TOLERANCE		SCALE	SIZE	SHEET	DWG NO.	CHECKED BY		DATE
.X ±0.25		1:1	A4	1 OF 1	ROP-5SPFFH-TCU7001	Raison		2013-03-13
.XX ±0.1		REV.	WC-REV.		CUSTOMER	APPROVED BY		DATE
.XXX ±0.05		A	A.1		ALTW	Victor		2013-03-13
ANGLES ±1°		: Inspection item						

Amphenol LTW
安費諾亮泰企業股份有限公司