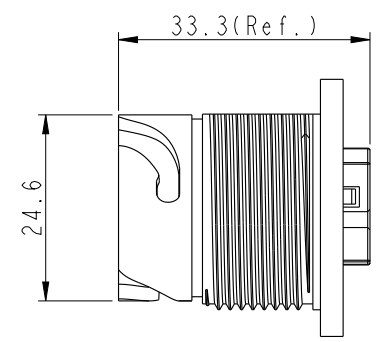
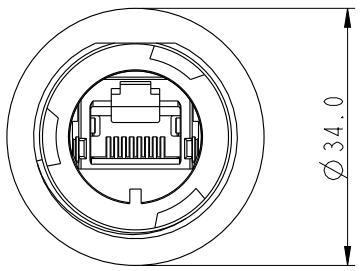
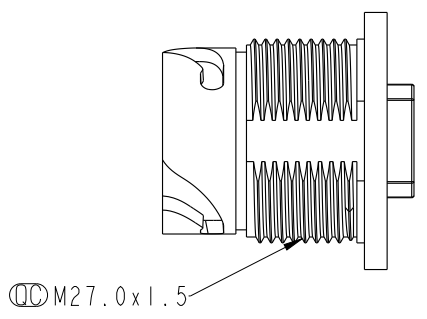
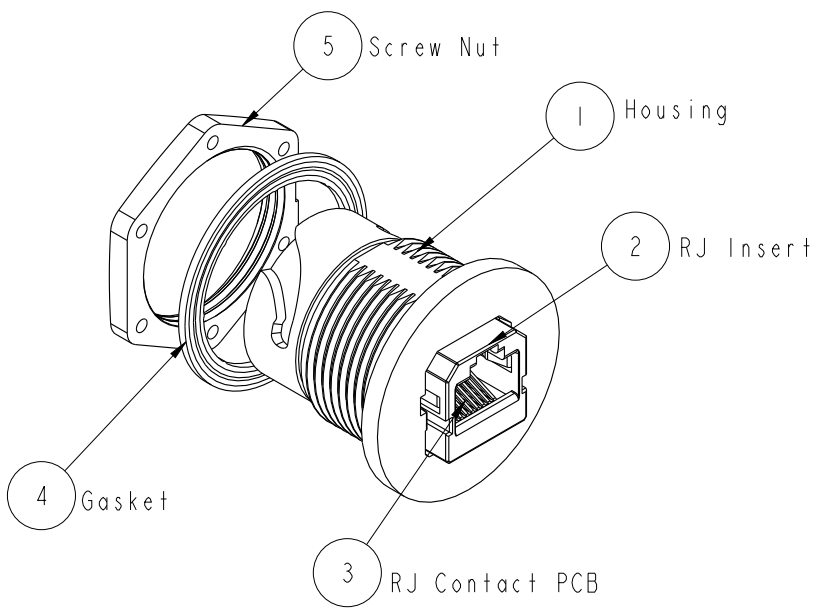
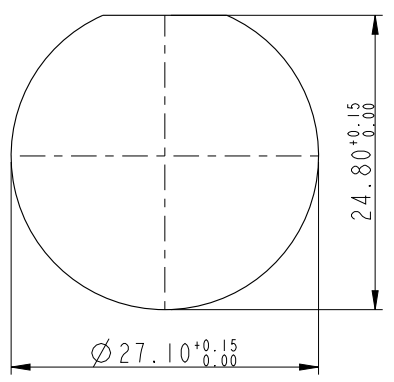
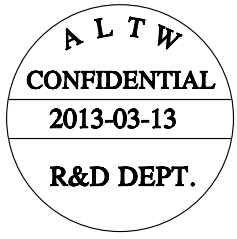


| | | | | |
|------|---------|------|------|-------------|
| REV. | ECN NO. | DATE | SIGN | DESCRIPTION |
| | | | | |



- Note:
- * \varnothing Important Dimension
 - * Waterproof Rate : IP67 (Mating)
 - * Housing : Nylon+GF, BLACK
 - * RJ45 Jack : Cat 5e, Shield
 - * Gasket : Silicone, UL 94V-0, Gray.
 - * Screw Nut : Nylon+GF, BLACK
 - * Contact: Phosphor Bronze, Gold Flash Over Nickel
 - * For Panel Thickness Max: 3.0mm
 - * Screw torsion value range: 8~15kgf-cm
 - * RoHS Compliant. -20°C to 105°C



| | | |
|------------|----------|--|
| UNIT : mm | | |
| TOLERANCE | .X ±0.25 | |
| .XX ±0.1 | | |
| .XXX ±0.05 | | |
| ANGLES | ±1° | |

| | | | |
|---------------------------------------|----------------|-------------------------------|--|
| TITLE RJ45 ODVA, PANEL, FRONT LOCK | | | |
| SCALE 1:1 | SIZE A4 | SHEET 1 OF 1 | |
| REV. A | WC-REV. A.1 | \varnothing Inspection item | |

Amphenol LTW
安費諾亮泰企業股份有限公司

| | | |
|--------------------------------|---------------------------|--------------------|
| ITEM NO. ROP-5SPFFH-TCM7001 | DRAWN BY Laurence_zang | DATE 2013-03-13 |
| DWG NO. ROP-5SPFFH-TCM7001 | CHECKED BY Raison | DATE 2013-03-13 |
| CUSTOMER ALTW | APPROVED BY Victor | DATE 2013-03-13 |

THIS DOCUMENT IS SUBJECT TO CHANGE WITHOUT NOTICE. IT IS CONFIDENTIAL AND A PROPERTY OF Amphenol LTW. DISCLOSURE TO THIRD PARTY HAS TO BE AUTHORIZED BY Amphenol LTW.