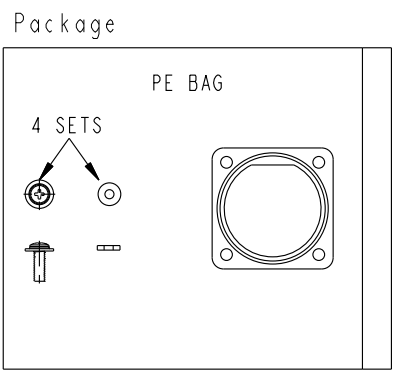
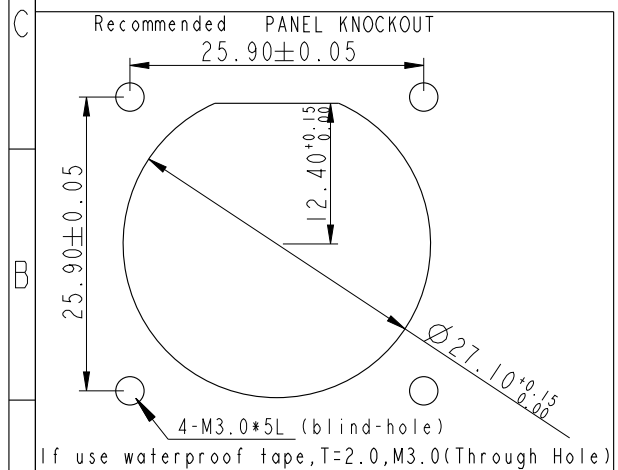
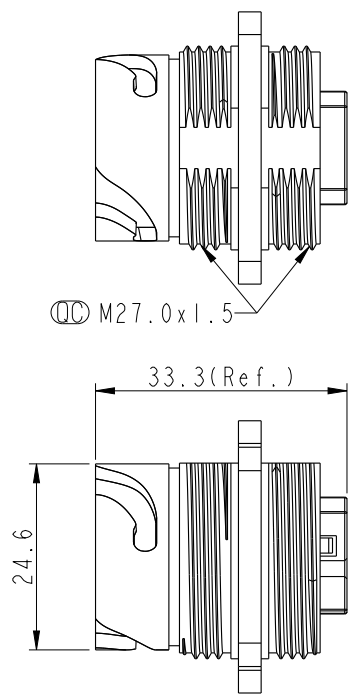
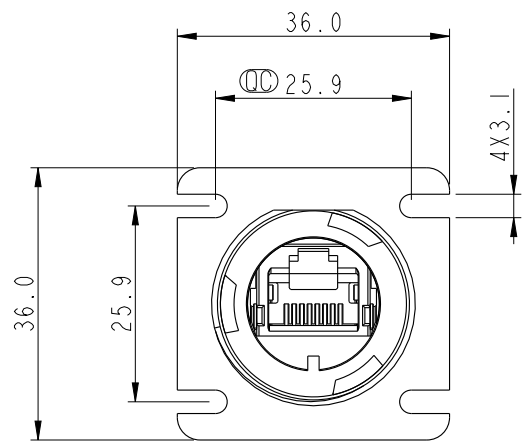
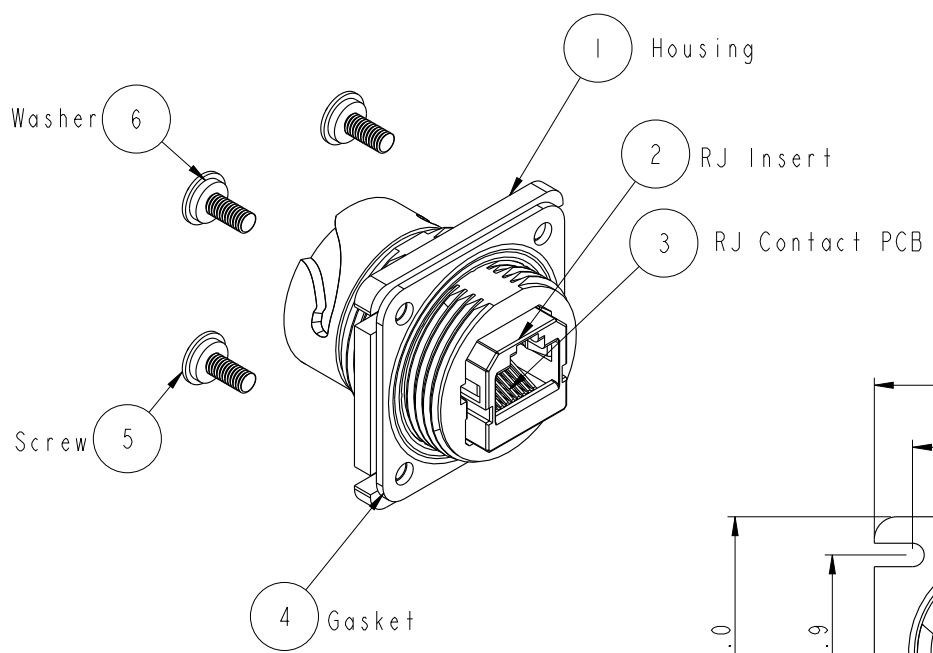
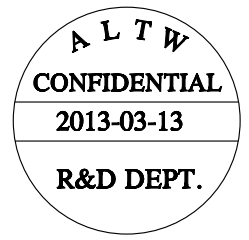
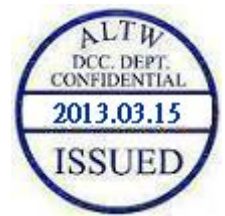


REV.	ECN NO.	DATE	SIGN	DESCRIPTION



- Note:
- * CC Important Dimension
 - * Waterproof Rate : IP67 (Mating)
 - * Housing : Nylon+GF, BLACK
 - * RJ45 Jack : Cat 5e, Shield
 - * Gasket : Silicone, UL 94V-0, Gray.
 - * Screw : M3.0x L=8.0mm
 - * Contact: Phosphor Bronze, Gold Flash Over Nickel
 - * For Panel Thickness Max: 3.0mm
 - * Screw torsion value range: 8~15kgf-cm
 - * RoHS Compliant. -20°C to 105°C

UNIT: mm			TITLE RJ45 ODVA, PANEL, DOUBLE LOCK
TOLERANCE .X ±0.25 .XX ±0.1 .XXX ±0.05 ANGLES ±1°	SCALE 1:1	SIZE A4	SHEET 1 OF 1
REV. A	WC-REV. A.1	CC : Inspection item	

Amphenol LTW
安費諾亮泰企業股份有限公司

ITEM NO. ROP-5SDFFH-TSM7001	DRAWN BY Laurence_zang	DATE 2013-03-13
DWG NO. ROP-5SDFFH-TSM7001	CHECKED BY Raison	DATE 2013-03-13
CUSTOMER ALTW	APPROVED BY Victor	DATE 2013-03-13

THIS DOCUMENT IS SUBJECT TO CHANGE WITHOUT NOTICE. IT IS CONFIDENTIAL AND A PROPERTY OF Amphenol LTW. DISCLOSURE TO THIRD PARTY HAS TO BE AUTHORIZED BY Amphenol LTW.