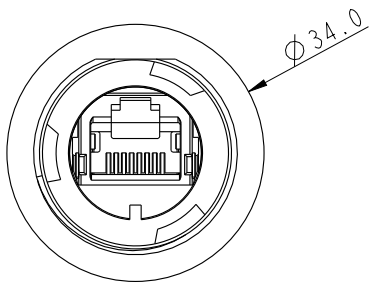
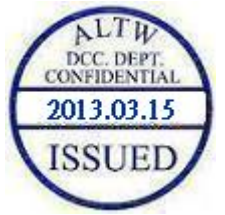
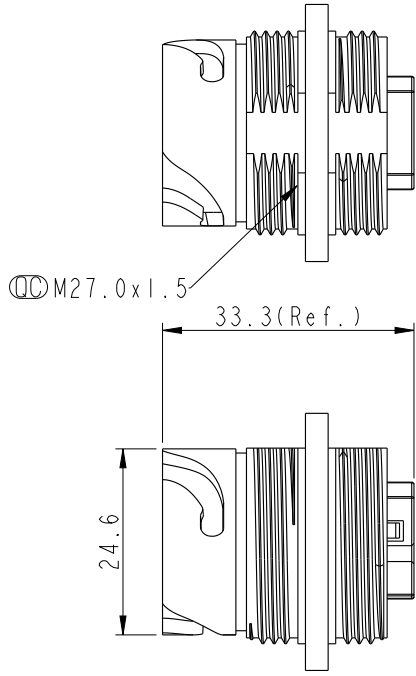
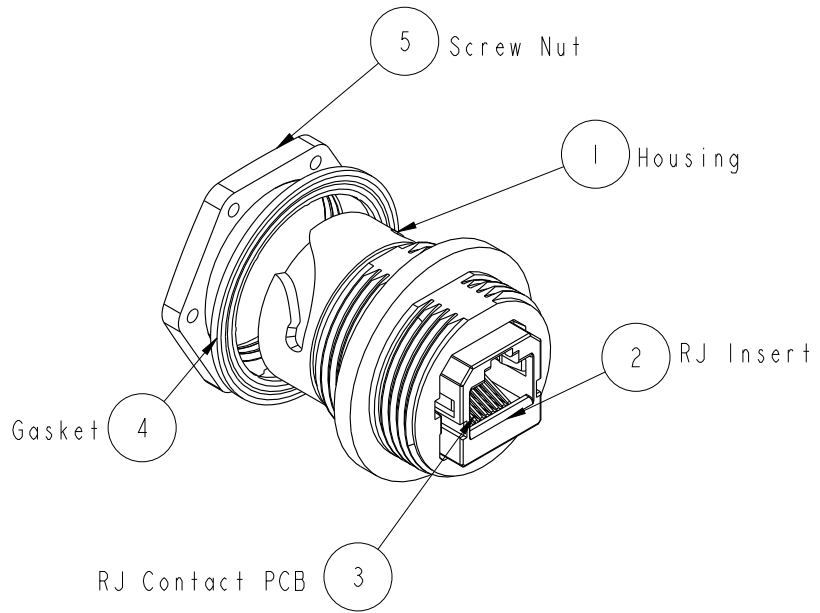
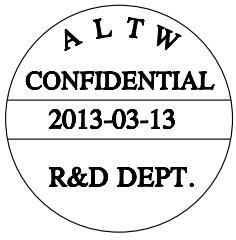
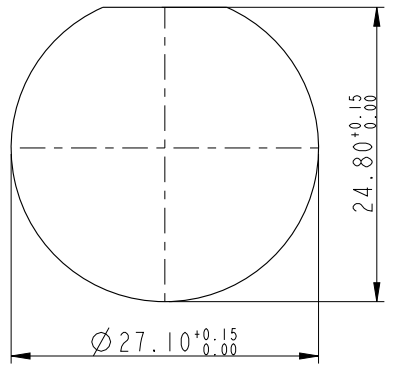


REV.	ECN NO.	DATE	SIGN	DESCRIPTION



Recommended Panel Knockout



Note:

- \*  $\text{M}$  Important Dimension
- \* Waterproof Rate : IP67 (Mating)
- \* Housing : Nylon+GF, BLACK
- \* RJ45 Jack : Cat 5e, Shield
- \* Gasket : Silicone, UL 94V-0, Gray.
- \* Screw Nut : Nylon+GF, BLACK
- \* Contact: Phosphor Bronze, Gold Flash Over Nickel
- \* For Panel Thickness Max: 3.0mm
- \* Screw torsion value range: 8~15kgf-cm
- \* RoHS Compliant. -20°C to 105°C

UNIT : mm		TITLE		ITEM NO	DRAWN BY	DATE
		RJ45 ODVA, PANEL, DOUBLE LOCK				
TOLERANCE		SCALE	SIZE	DWG NO	CHECKED BY	DATE
.X ±0.25		1:1	A4	ROP-5SDFFH-TCM7001	Raison	2013-03-13
.XX ±0.1		REV.	WC-REV.	CUSTOMER	APPROVED BY	DATE
.XXX ±0.05		A	A.1	ALTW	Victor	2013-03-13
ANGLES ±1°		: Inspection item				

**Amphenol LTW**  
安費諾亮泰企業股份有限公司

THIS DOCUMENT IS SUBJECT TO CHANGE WITHOUT NOTICE. IT IS CONFIDENTIAL AND A PROPERTY OF Amphenol LTW. DISCLOSURE TO THIRD PARTY HAS TO BE AUTHORIZED BY Amphenol LTW.