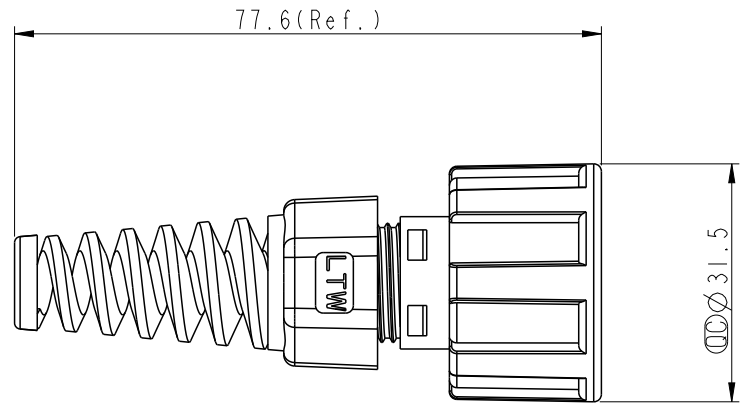
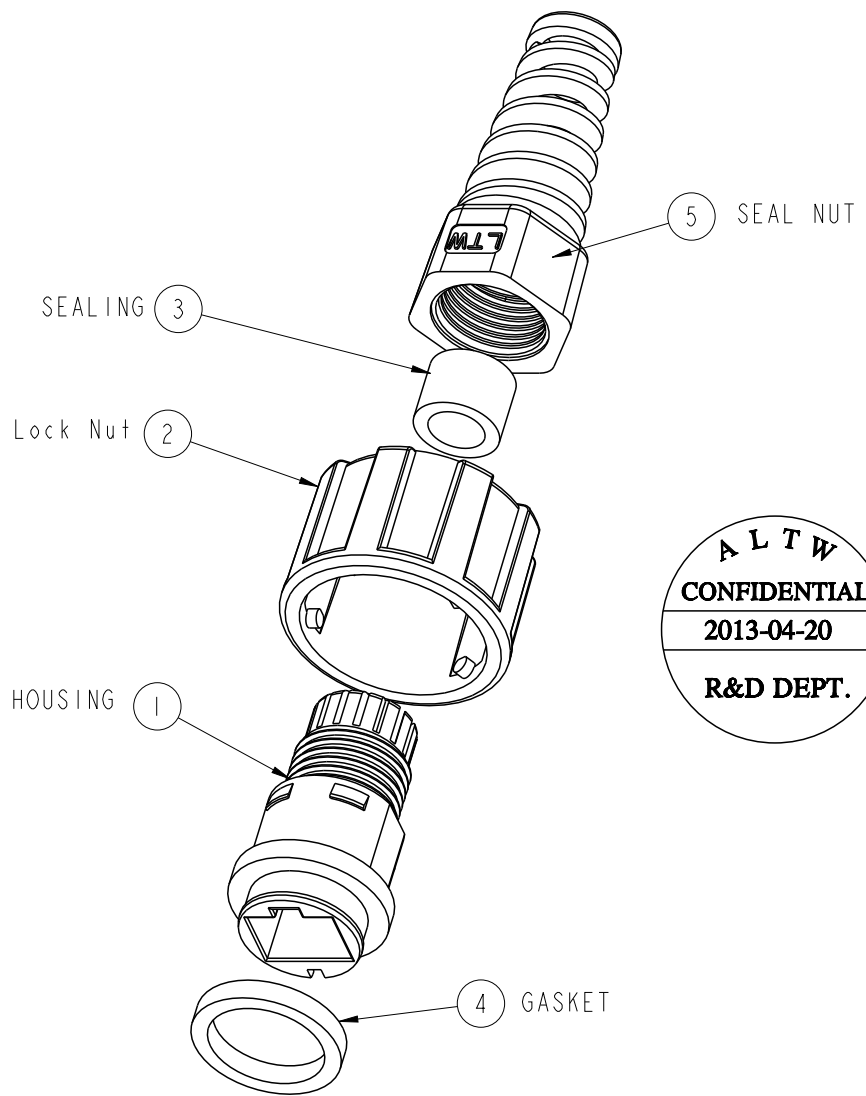


REV.	ECN NO.	DATE	SIGN	DESCRIPTION



ALTW
CONFIDENTIAL
 2013-04-20
R&D DEPT.

- Note:
- * \varnothing Important Dimension
 - * Waterproof Rate : IP67 (Mating)
 - * Housing : Nylon,Black
 - * Gasket : Silicone ,Gray.
 - * Lock Nut : Nylon,Black
 - * Sealing Nut: Nylon,Black
 - * Seals: Silicone,Gray.
 - * Seals for cable OD \varnothing 4.5mm~ \varnothing 6.0mm
 - * One Set Unassembled in One PE Bag.

UNIT : mm		
TOLERANCE		
.X	± 0.25	
.XX	± 0.1	
.XXX	± 0.05	
ANGLES	$\pm 1^\circ$	

TITLE RJ45 ASSY,ODVA,3T WITH SR			
SCALE 1:1	SIZE A4	SHEET 1 OF 1	
REV. A	WC-REV. A.5	\varnothing : Inspection item	

Amphenol LTW
安費諾亮泰企業股份有限公司

ITEM NO. ROP-00AMMA-TLM7001	DRAWN BY Laurence_zang	DATE 2013-04-20
DWG NO. ROP-00AMMA-TLM7001	CHECKED BY RAISON	DATE 2013-04-20
CUSTOMER ALTW	APPROVED BY VICTOR	DATE 2013-04-20

THIS DOCUMENT IS SUBJECT TO CHANGE WITHOUT NOTICE. IT IS CONFIDENTIAL AND A PROPERTY OF AMPHENOL LTW. DISCLOSURE TO THIRD PARTY HAS TO BE AUTHORIZED BY AMPHENOL LTW.